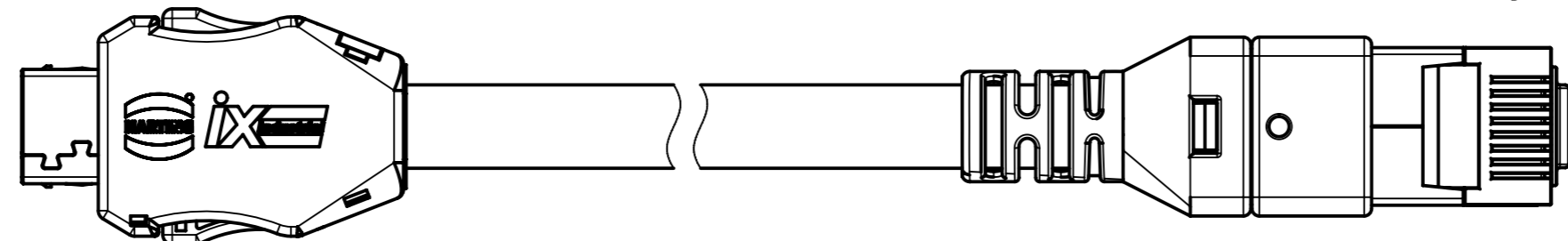
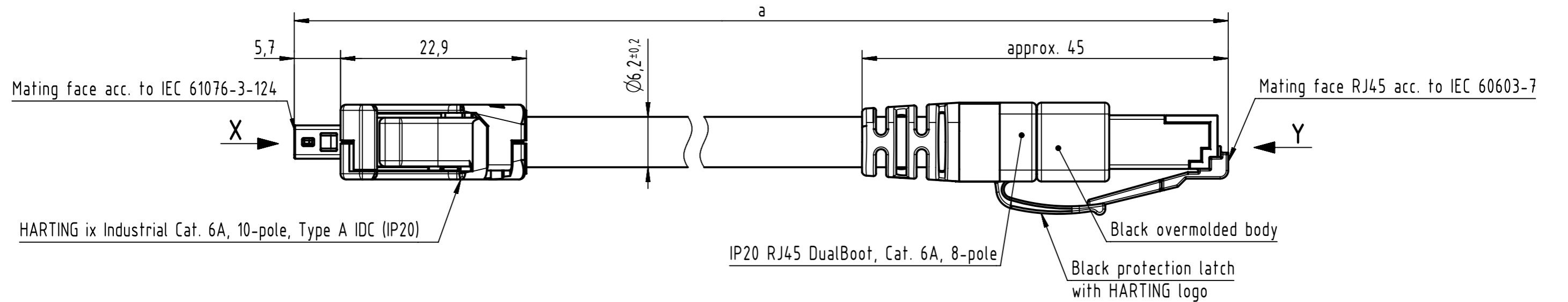


Connector Location A

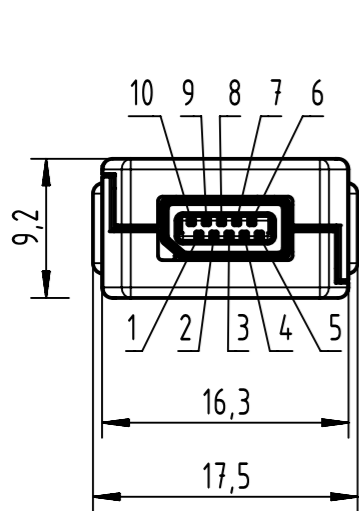
Connector Location B



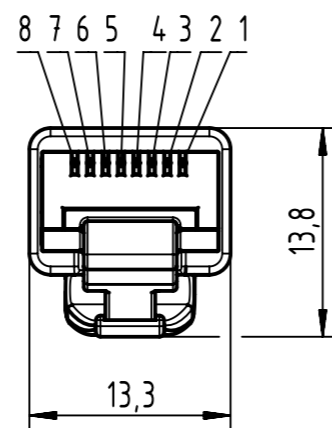
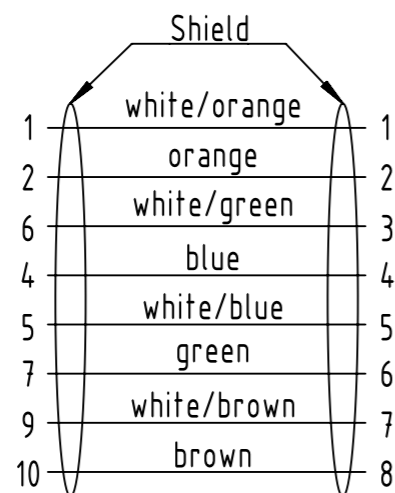
X  
male

Y  
male

Loading Plan  
acc. to TIA/EIA 568B



Contacts 3 and 8  
are not connected



- Contact material: cooper alloy (for ix)
- Contact area: Gold 0.2µm min. (for ix)
- Temperature range:
  - Fixed installation: -20°C ... +60°C
  - Dynamic installation: 0°C ... +50°C

6.0 to 100	±1%
0.6 to 5.9	+0.04
0.2 to 0.5	+0.02
<b>a [m]</b>	<b>Tolerance</b>

length in "1m" step	100	XXX=000
	99	XXX=990
	.	.
	12	XXX=120
length in "0.1m" step	11	XXX=110
	10	XXX=100
	9.9	XXX=099
	9.8	XXX=098
	.	.
	0.5	XXX=005
	0.4	XXX=004
	0.3	XXX=003
	0.2	XXX=002
<b>Step</b>	<b>a [m]</b>	<b>XXX</b>

Cat. 7 FRNC Ethernet Cable, AWG 26/7, S/FTP, white	33480147823XXX
<b>Type of cable</b>	<b>Part no.</b>

**NOTE:**  
 For lengths < 1.0m:  
 - relative positioning of the connectors to each other will be as presented in the drawing,  
 however with an admissible angular deviation around cable axis of ± 30°  
 For lengths ≥ 1.0m:  
 -relative positioning of the connectors to each other not obligatory

All Dimensions in mm		Tech. Character.		Free size tol.		According to production drawing	
All rights reserved Department HCS - RO		Created by 407675 Lorinczi	Inspected by 402676 Gross	Standardisation MUNTEANV Muntean	Date 2022-11-16	State Final Release	
HARTING Customised Solutions D-32339 Espelkamp		Title ix Industrial - RJ45 Cat.6A FRNC white				Doc-Key / ECM-Nr. 100881952/UGD/000/E 50000226507	
		Type TB	Number 33480147823XXX		Rev. E	Page 1/1	