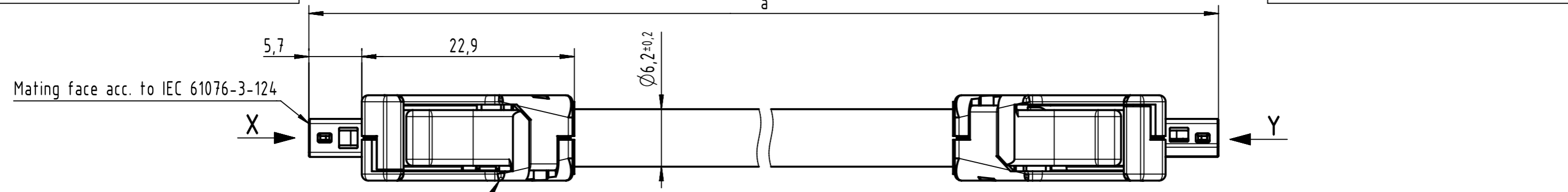
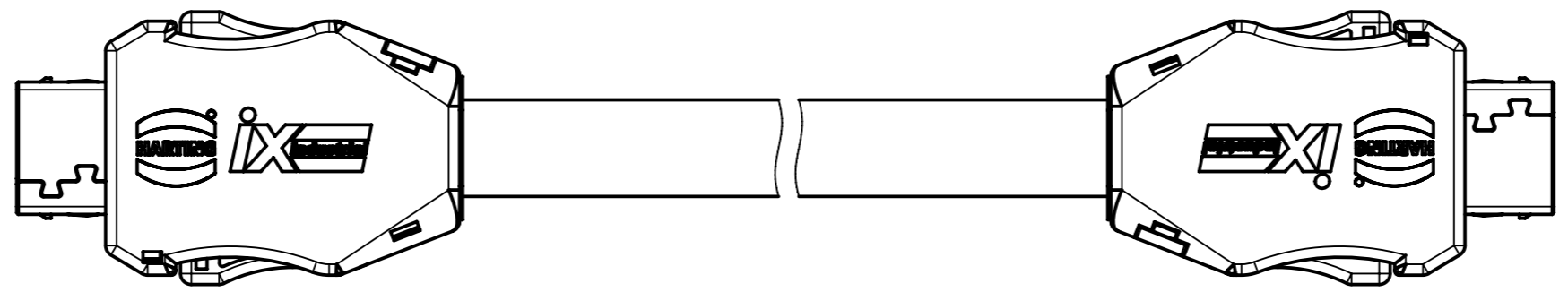


Connector Location A

Connector Location B



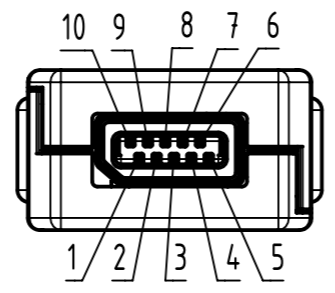
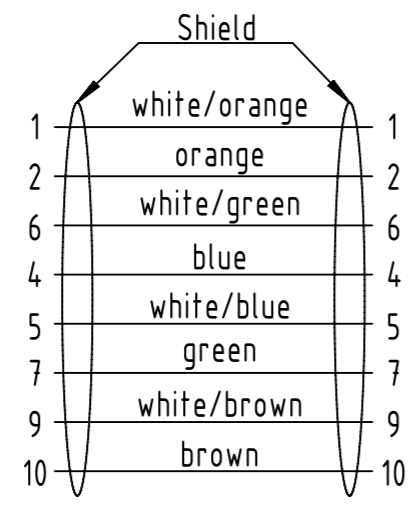
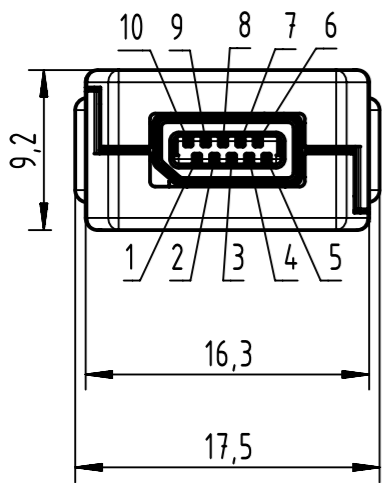
HARTING ix Industrial Cat. 6A, 10-pole, Type A IDC (IP20)



X male

Loading Plan acc. to TIA/EIA 568B

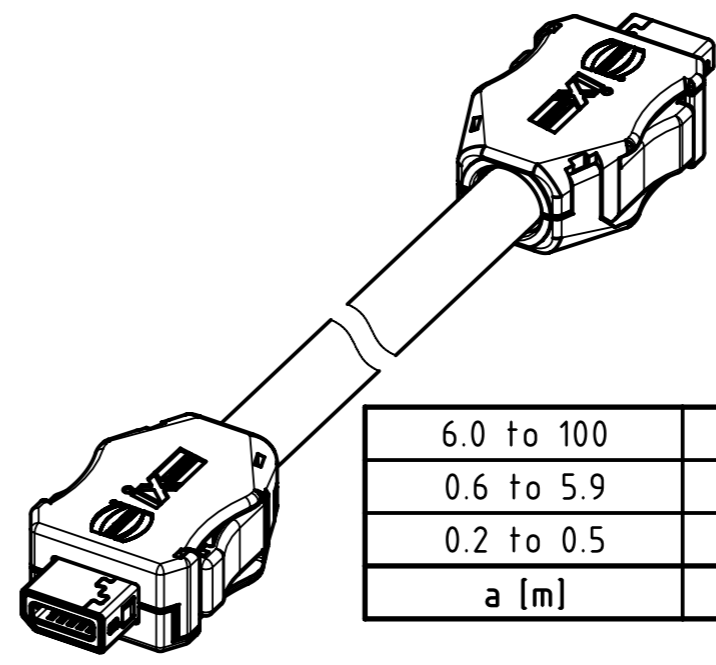
Y male



Contacts 3 and 8 are not connected on both ends

- Contact material: copper alloy
- Contact area: Gold 0.2µm min.

Temperature range:  
 - Fixed installation: -20°C ... +60°C  
 - Dynamic installation: 0°C ... +50°C



6.0 to 100	±1%
0.6 to 5.9	+0.04
0.2 to 0.5	+0.02
<b>a [m]</b>	<b>Tolerance</b>

length in "1m" step	100	XXX=000
	99	XXX=990
	.	.
	12	XXX=120
length in "0.1m" step	11	XXX=110
	10	XXX=100
	9.9	XXX=099
	9.8	XXX=098
	.	.
	0.5	XXX=005
	0.4	XXX=004
	0.3	XXX=003
	0.2	XXX=002
<b>Step</b>	<b>a [m]</b>	<b>XXX</b>

Cat. 7 FRNC Ethernet Cable, AWG 26/7, S/FTP, blue

33480101822XXX

Type of cable

Part no.

NOTE:

For lengths < 1.0m:  
 - relative positioning of the connectors to each other will be as presented in the drawing, however with an admissible angular deviation around cable axis of ± 30°  
 For lengths ≥ 1.0m:  
 -relative positioning of the connectors to each other not obligatory

All rights reserved Department HCS - RO HARTING Customised Solutions D-32339 Espelkamp	All Dimensions in mm Tech. Character. Free size tol. According to production drawing	Created by 407675 Lorinzi Inspected by 402676 Gross Standardisation MUNTEANV Muntean Date 2022-11-08 State Final Release	Doc-Key / ECM-Nr. 100823046/UGD/000/E 500000226508 Rev. E Page 1/1
	Title ix Industrial Cat.6A FRNC blue Type TB Number 33480101822XXX		