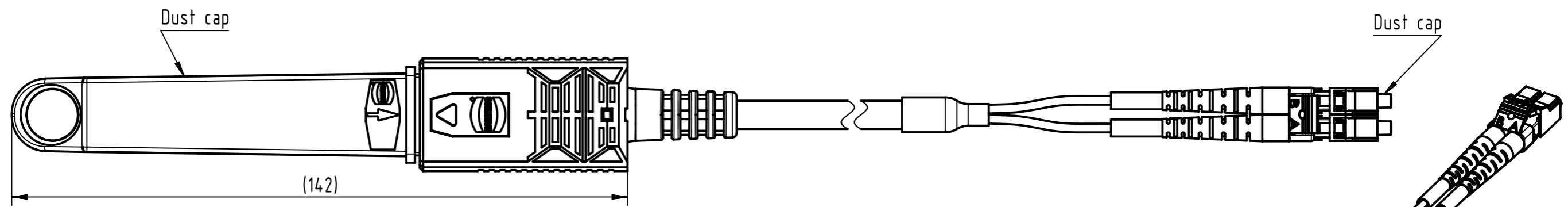
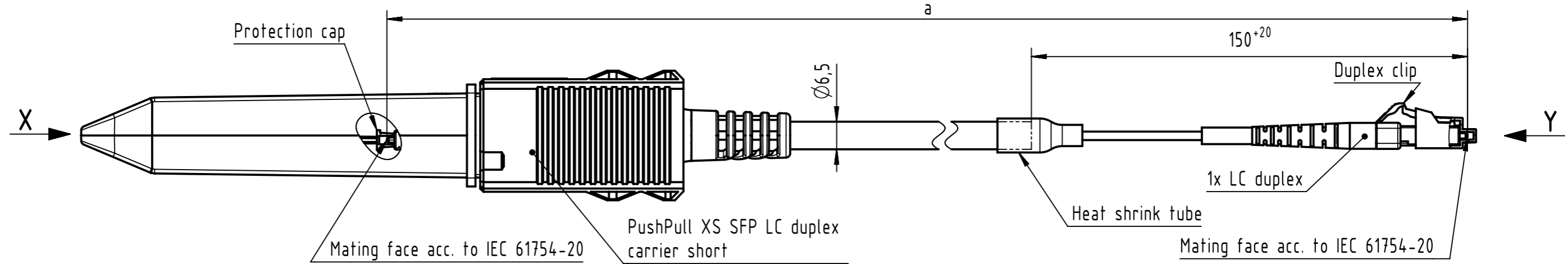


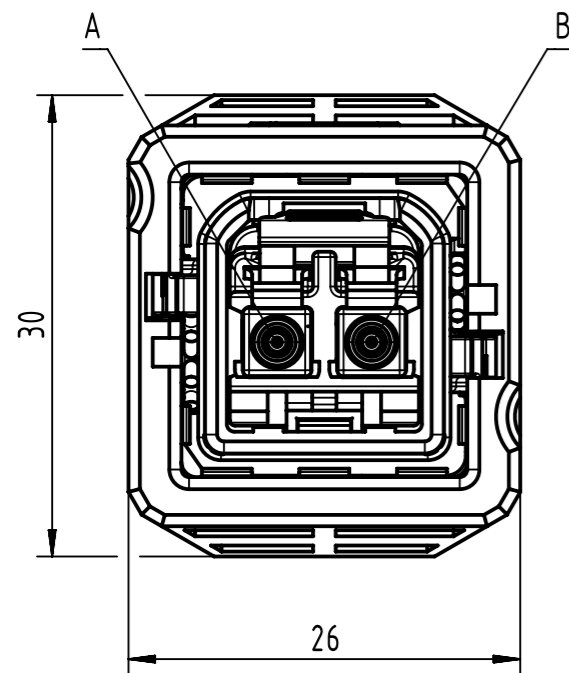
Connector Location A

Connector Location B

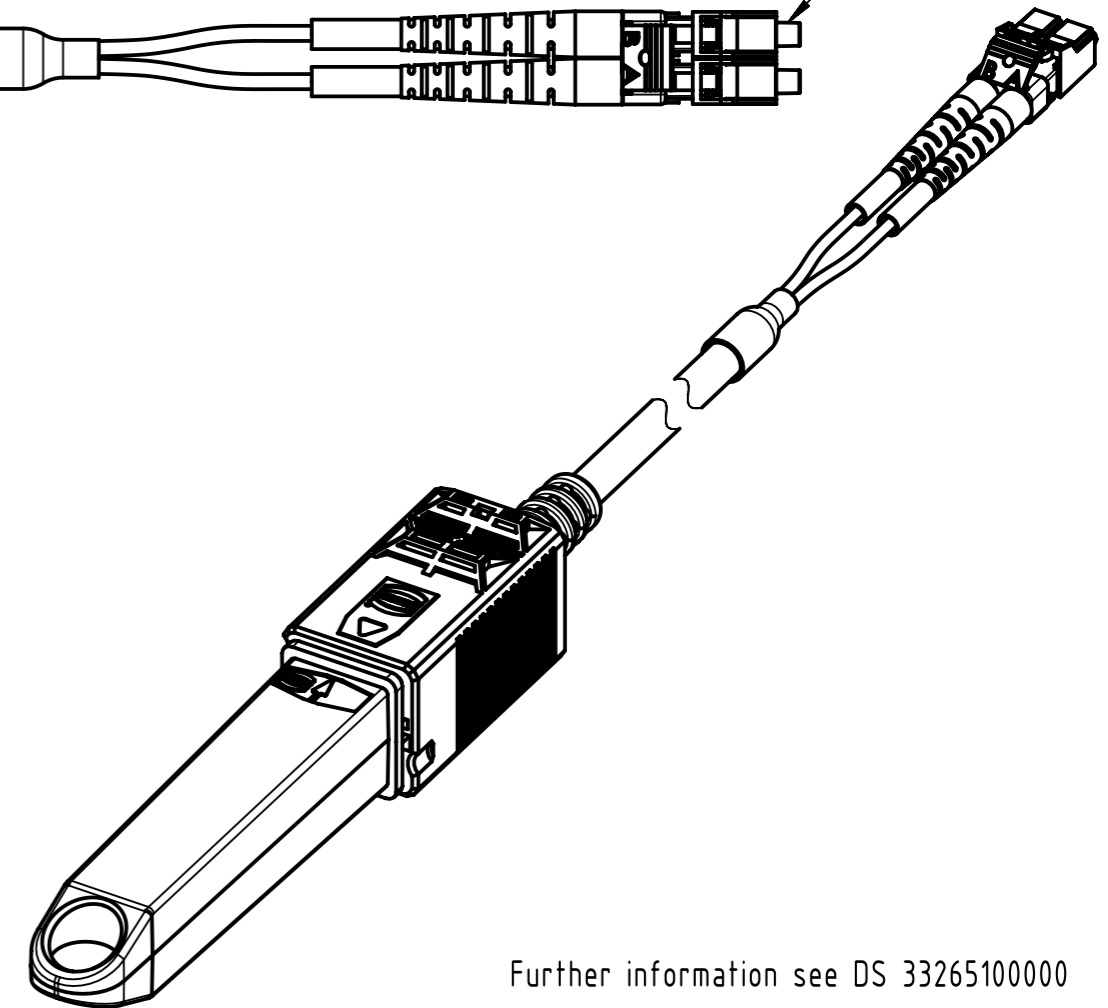
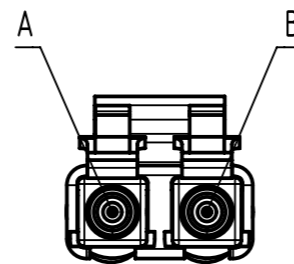
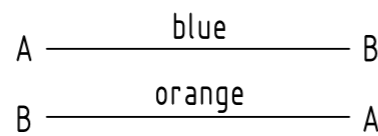


X
male
(without dust cap and protection cap)

Y
male
(without dust cap)




Loading Plan



Further information see DS 33265100000

	All rights reserved	Created by 402676 Gross	Inspected by 402676 Gross	Standardisation COSTEA Costea	Date 2022-08-31	State Final Release
	Department HCS - RO	Title PP XS LCdx Sh - LCdx, MM Assy			Doc-Key / ECM-Nr. 100572207/UGD/043/F 50000219506	
HARTING Customised Solutions D-32339 Espelkamp		Type TB	Number 332623XXXX0018		Rev. F	Page 1/2

Cont. no.	Part no.	Type of cable	Dim. a[m]					
	28	FO Breakout Cable, MM, 50/125µm, PUR, black, bend tolerant OM3	100	±1%	 All rights reserved Department HCS - RO HARTING Customised Solutions D-32339 Espelkamp	Created by 402676 Gross Inspected by 402676 Gross Standardisation COSTEA Costea Date 2022-08-31 State Final Release Title PP XS LCdx Sh - LCdx, MM Assy Type TB Number 332623XXXX0018 Doc-Key / ECM-Nr. 100572207/UGD/043/F 500000219506 Rev. F Page 2/2	Free size tol. According to production drawing	All Dimensions in mm Tech. Character. Free size tol. According to production drawing
	27		90					
	26		80					
	25		70					
	24		60					
	23		50					
	22		45					
	21		40					
	20		35					
	19		30					
	18		25					
	17		20					
	16		15					
	15		14					
	14		13					
	13		12					
	12		11					
	11		10					
	10		9					
	9		8					
	8		7					
	7		6					
	6		5					
	5		4					
	4		3					
	3		2					
	2		1					
	1		0.5	±0.03				