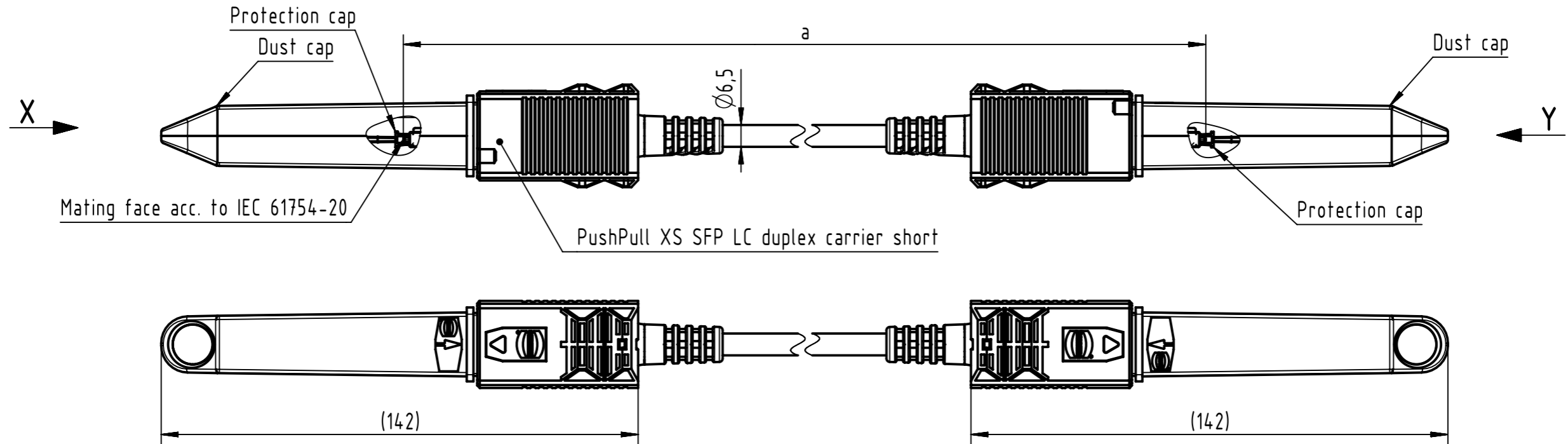
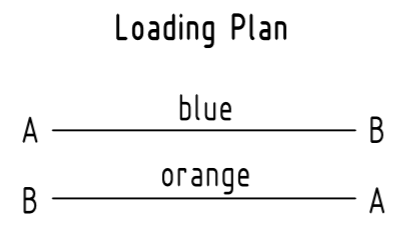
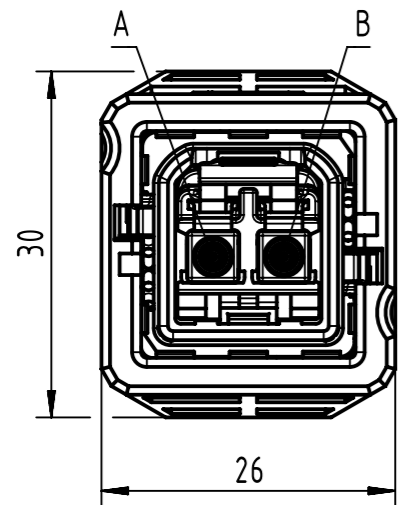


Connector Location A

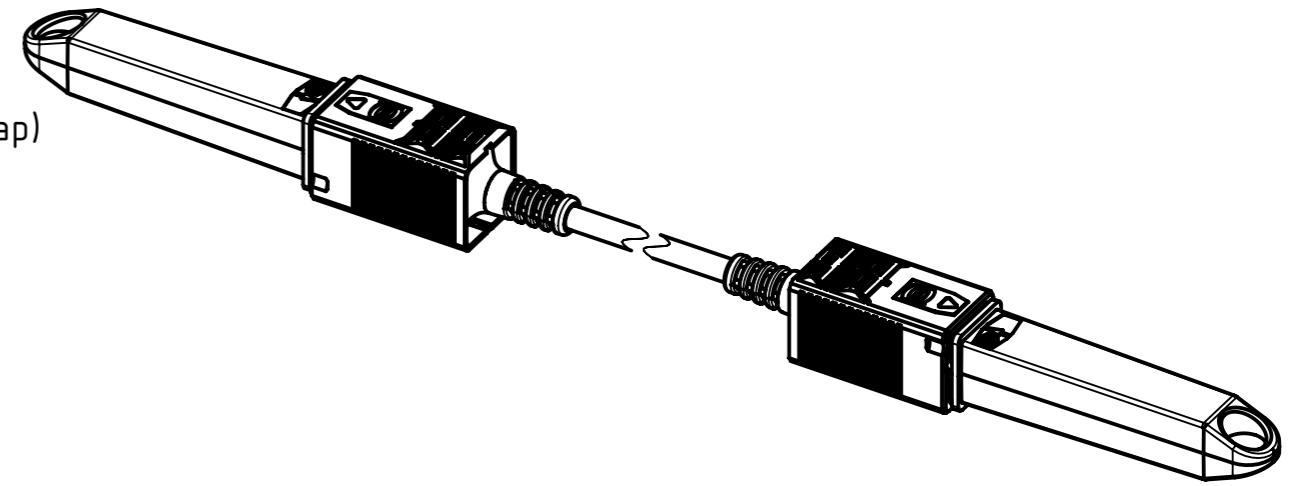
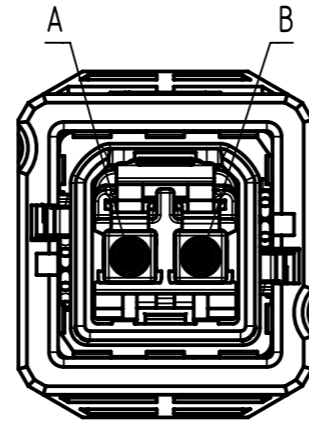
Connector Location B



X
male
(without dust cap and protection cap)




Y
male
(without dust cap and protection cap)



Further information see DS 33265100000

	All rights reserved Department HCS - RO HARTING Customised Solutions D-32339 Espelkamp	All Dimensions in mm	Tech. Character.	Free size tol.	According to production drawing
		Created by 402676 Gross	Inspected by 402676 Gross	Standardisation COSTEA Costea	Date 2022-08-31
Title PP XS LCdx Sh -PP XS LCdx Sh, MM Assy		Type TB			Number 3326231XXX0014
Doc-Key / ECM-Nr. 100572207/UGD/035/E 50000219506					Rev. E
					Page 1/2

1	2	3	4	5	6	7	8
A							
B							
C							
D							
E							
F							
	27	33262311000014	FO Breakout Cable, MM, 50/125µm, PUR, black, bend tolerant OM3	100	±1%		
	26	33262310900014		90			
	25	33262310800014		80			
	24	33262310700014		70			
	23	33262310600014		60			
	22	33262310500014		50			
	21	33262310450014		45			
	20	33262310400014		40			
	19	33262310350014		35			
	18	33262310300014		30			
	17	33262310250014		25			
	16	33262310200014		20			
	15	33262310150014		15			
	14	33262310140014		14			
	13	33262310130014		13			
	12	33262310120014		12			
	11	33262310110014		11			
	10	33262310100014		10			
	9	33262310090014		9			
	8	33262310080014		8			
	7	33262310070014		7			
	6	33262310060014		6			
	5	33262310050014		5			
	4	33262310040014		4			
	3	33262310030014		3			
	2	33262310020014		2			
	1	33262310010014		1			
	Cont. no.	Part no.	Type of cable	Dim. a[m]			

	All rights reserved Department HCS - RO	Created by 402676 Gross	Inspected by 402676 Gross	Standardisation COSTEA Costea	Date 2022-08-31	State Final Release
HARTING Customised Solutions D-32339 Espelkamp		Title PP XS LCdx Sh -PP XS LCdx Sh, MM Assy		Doc-Key / ECM-Nr. 100572207/UGD/035/E 500000219506		Rev. E
		Type TB	Number 3326231XXX0014		Page 2/2	