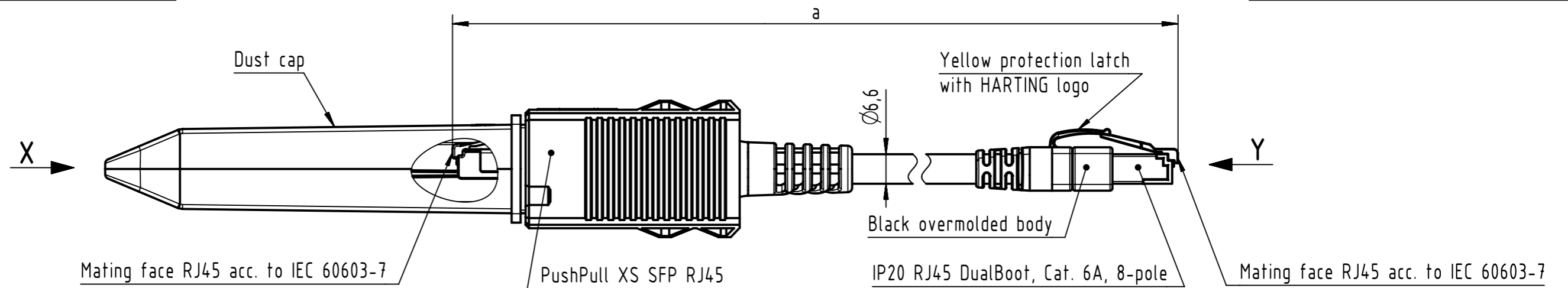


Connector Location A

Connector Location B



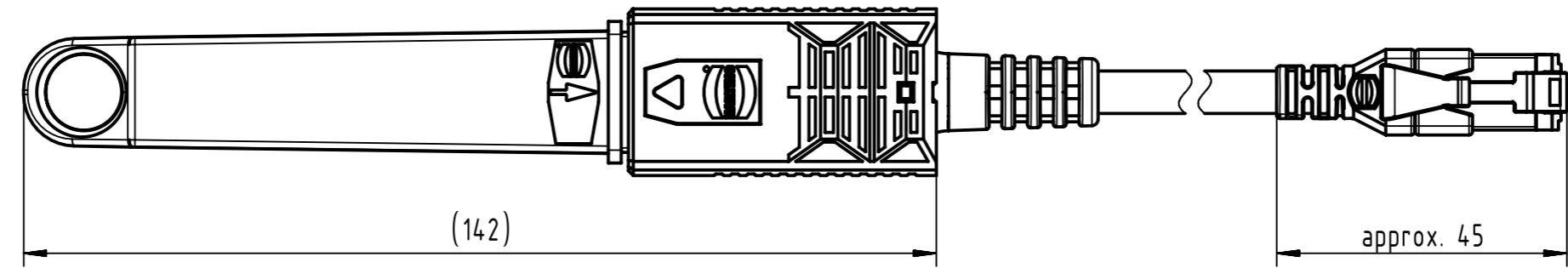
Mating face RJ45 acc. to IEC 60603-7

PushPull XS SFP RJ45

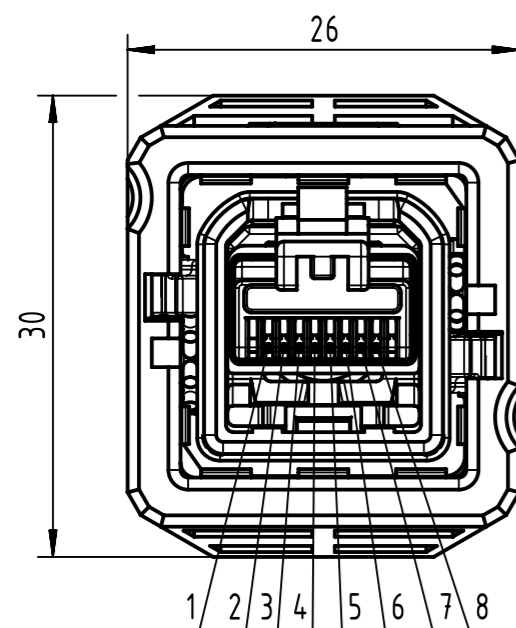
Black overmolded body

IP20 RJ45 DualBoot, Cat. 6A, 8-pole

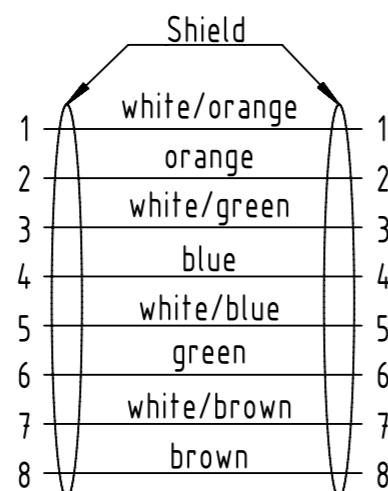
Mating face RJ45 acc. to IEC 60603-7



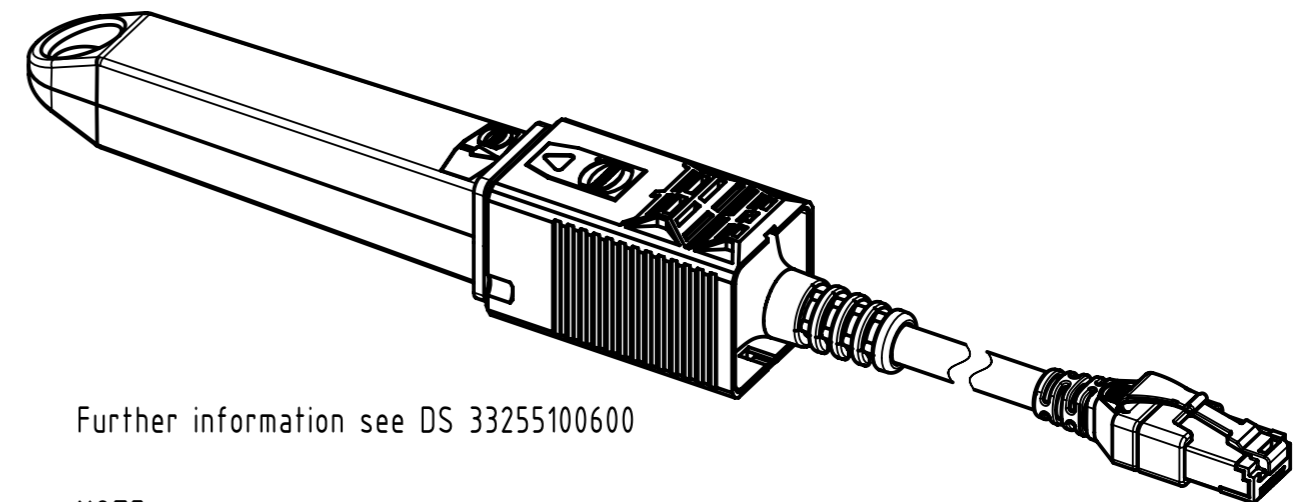
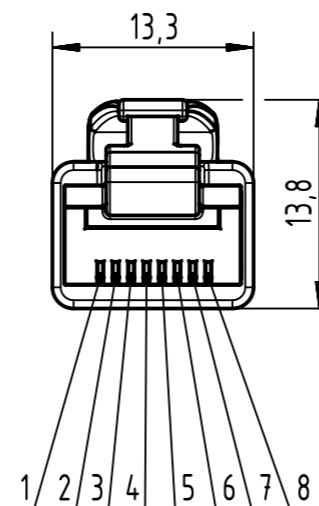
X
male
(without dust cap)



Loading Plan
acc. to TIA/EIA 568B



Y
male

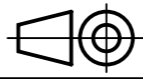


Further information see DS 33255100600

NOTE:

- * For lengths < 1.0m:
- relative positioning of the connectors to each other will be as presented in the drawing, however with an admissible angular deviation around cable axis of $\pm 30^\circ$
- * For lengths $\geq 1.0m$:
-relative positioning of the connectors to each other not obligatory

		All Dimensions in mm Tech. Character.		Free size tol.		According to production drawing	
All rights reserved Department HCS - RO		Created by 405181 Hadar	Inspected by 402676 Gross	Standardisation COSTEA Costea	Date 2021-11-12	State Final Release	
HARTING Customised Solutions D-32339 Espelkamp		Title PushPull XS RJ45 - RJ45 Cat.6A Assembly				Doc-Key / ECM-Nr. 100572207/UGD/005/H 500000205993	
		Type TB	Number 332523XXXX0001			Rev. H	Page 1/2

1	2	3	4	5	6	7	8	
<p>NOTE: * Cat.6A 10 Gbit/s Ethernet transmission possible for lengths up to 45m</p>								
<p>HARTING outd. Cat.6A 4x2xAWG 26/7 PVC black</p>								
23	3325231050001		50*	±1%	 <p>All Dimensions in mm</p>			
22	33252310450001		45					
21	33252310400001		40					
20	33252310350001		35					
19	33252310300001		30					
18	33252310250001		25					
17	33252310200001		20					
16	33252310150001		15					
15	33252310140001		14					
14	33252310130001		13					
13	33252310120001		12					
12	33252310110001		11					
11	33252310100001		10					
10	33252310090001		9					
9	33252310080001		8					
8	33252310070001		7					
7	33252310060001		6					
6	33252310050001		5					
5	33252310040001		4					
4	33252310030001		3					
3	33252310020001		2					
2	33252310010001		1					
1	33252330500001		0.5					±0.015
Cont. no.	Part no.	Type of cable	Dim. a[m]	<p>HARTING Customised Solutions D-32339 Espelkamp</p>				<p>Created by 405181 Hadar</p> <p>Inspected by 402676 Gross</p> <p>Standardisation COSTEA Costea</p> <p>Date 2021-11-12</p> <p>State Final Release</p> <p>Title PushPull XS RJ45 - RJ45 Cat.6A Assembly</p> <p>Type TB</p> <p>Number 332523XXXX0001</p> <p>Doc-Key / ECM-Nr. 100572207/UGD/005/H 500000205993</p> <p>Rev. H</p> <p>Page 2/2</p>
1	2	3	4	5	6	7	8	