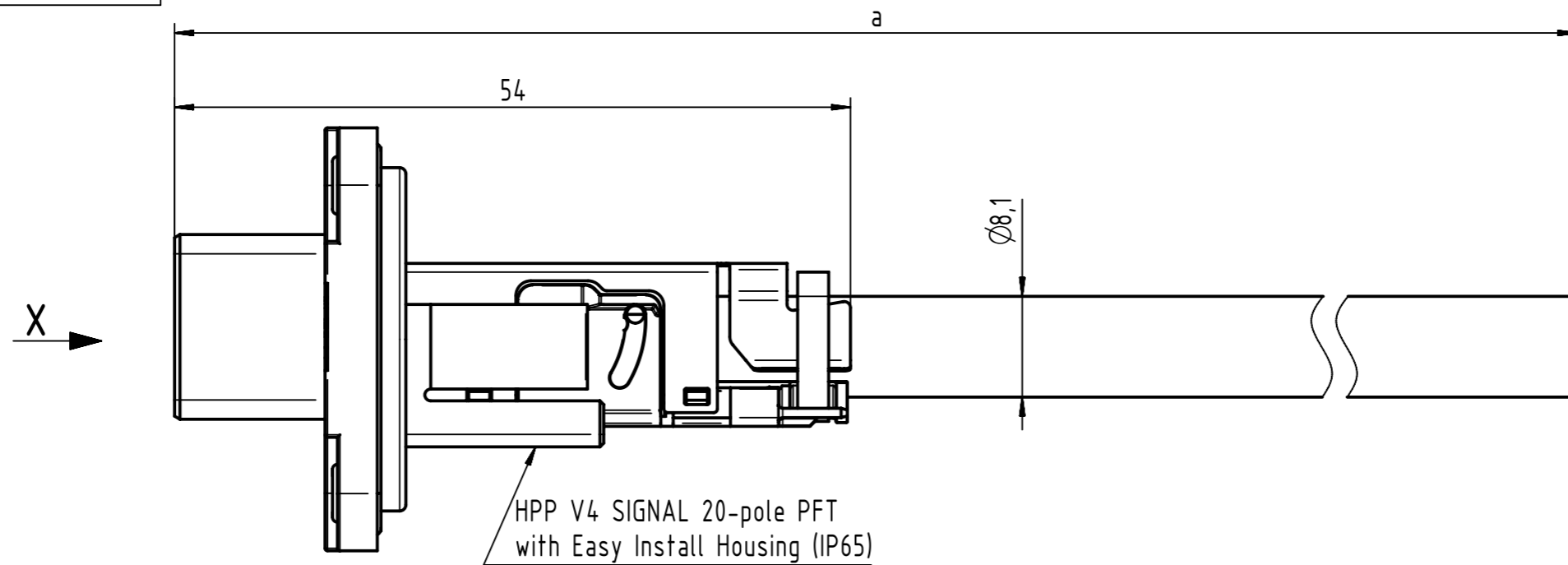


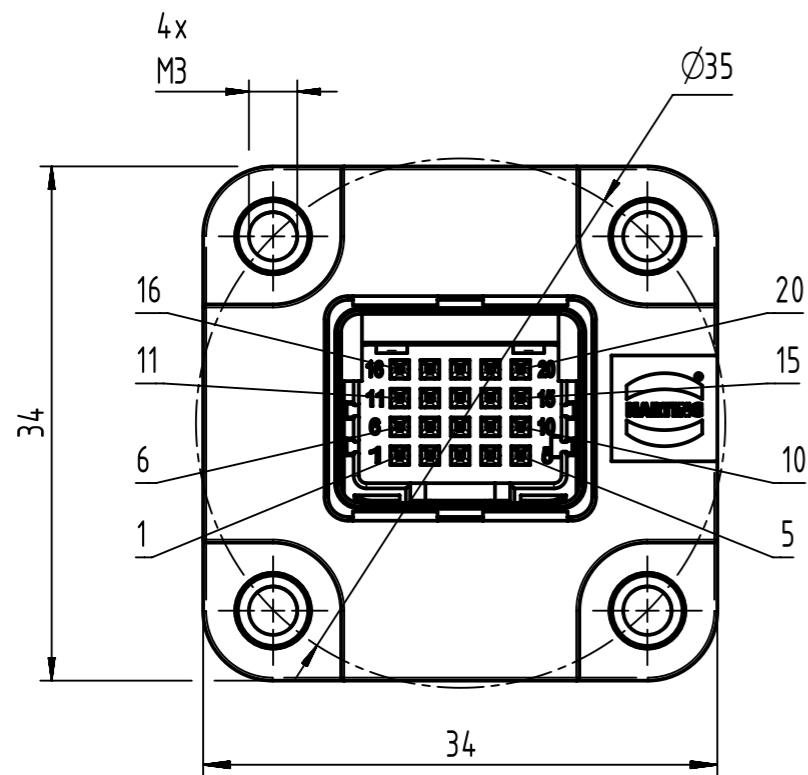
Connector Location A

Connector Location B



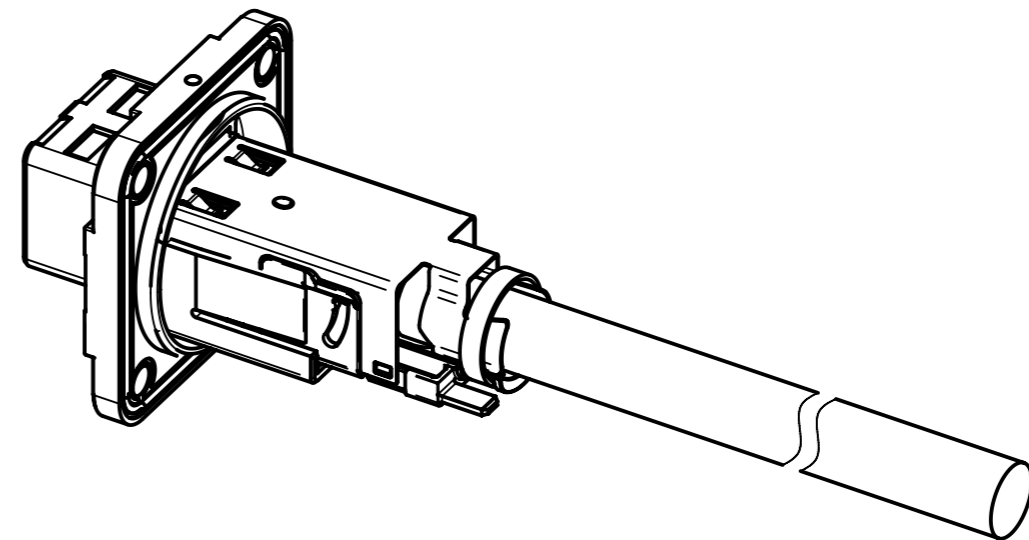
HPP V4 SIGNAL 20-pole PFT with Easy Install Housing (IP65)

X
male



Loading-Plan

- | Pin No. | Color |
|---------|--------------|
| 1 | Shield |
| 2 | grey/brown |
| 3 | white/pink |
| 4 | brown/pink |
| 5 | red |
| 6 | black |
| 7 | blue |
| 8 | red/blue |
| 9 | violet |
| 10 | pink |
| 11 | white |
| 12 | pink/grey |
| 13 | grey |
| 14 | brown/yellow |
| 15 | brown |
| 16 | white/grey |
| 17 | yellow |
| 18 | green |
| 19 | white/green |
| 20 | brown/green |
| 21 | white/yellow |



Cont. no.	Part no.	Type of cable	Dim. a[m]
4	3322143070001	20xAWG26, Shielded Interconnection Cable	0.7
3	3322143050001		0.5
2	3322143020001		0.2
1	3322143010001		0.1
			±0.015

	All Dimensions in mm	Tech. Character.	Free size tol.	According to production drawing
	All rights reserved Department HCS - RO	Created by BANCIUD Banciu	Inspected by COSTEA Costea	Standardisation MUNTEANV Muntean
HARTING Customised Solutions D-32339 Espelkamp		Title HPP 20p. Device Side Cable Assembly		Date 2018-11-02
		Type TB	Number 3322143XXX0001	State Final Release
				Doc-Key / ECM-Nr. 100614248/UGD/008/C 500000142783
				Rev. C Page 1/1