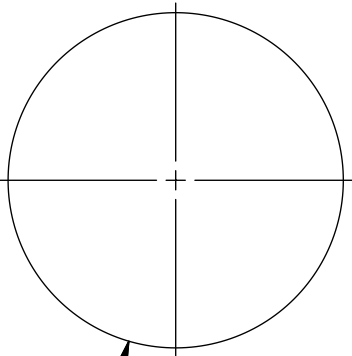


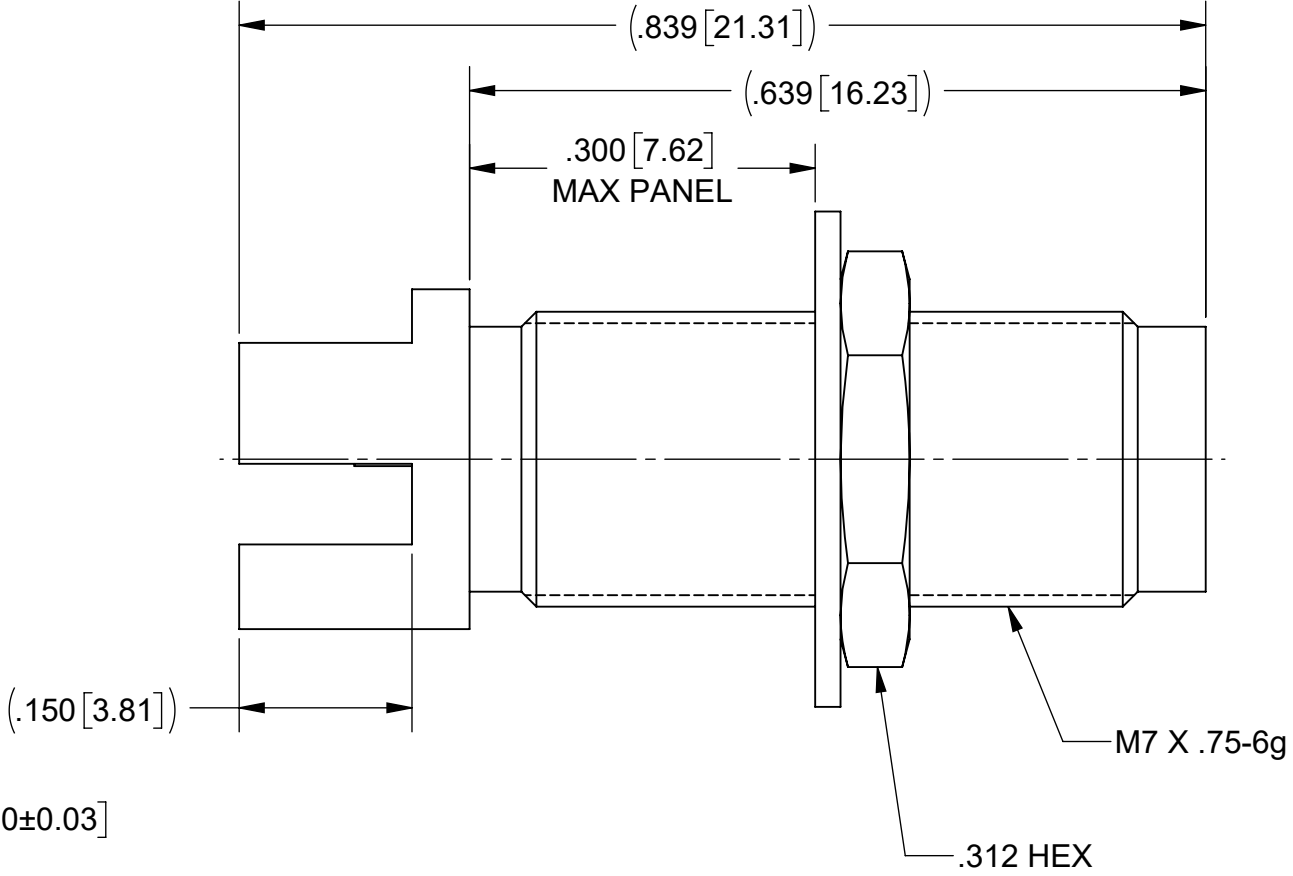
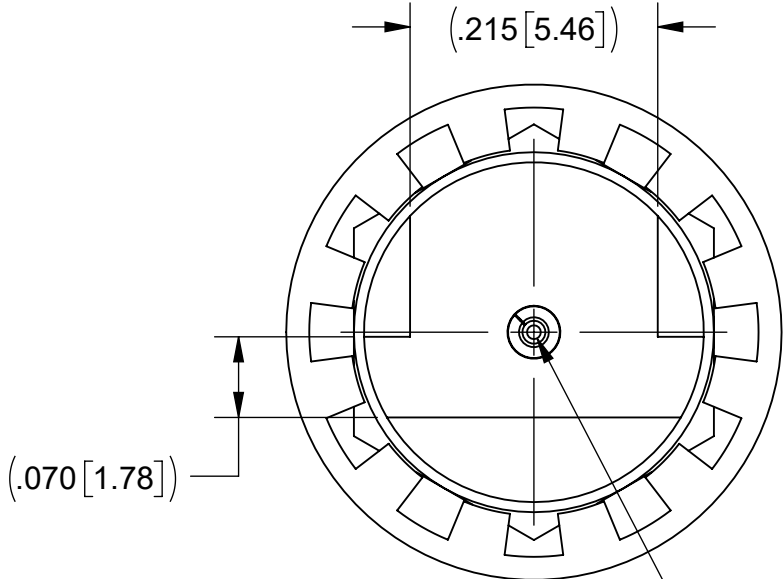
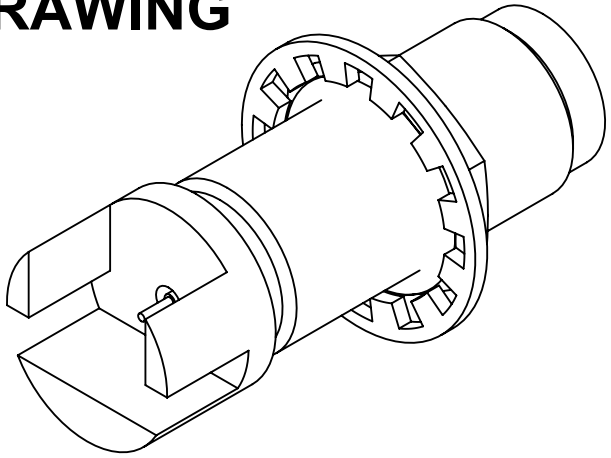
PRODUCT DATA DRAWING

REVISION HISTORY			
REV	DESCRIPTION	DATE	APPROVED
-	DCN 51270	01/22	SEE PDM

RECOMMENDED MOUNTING HOLE



(ϕ .291 MIN [7.39 MIN])



MATERIAL:
 BODY, INSERT & HEX NUT: BRASS PER ASTM B16, ALLOY UNS No. C36000
 CONTACT: BERYLLIUM COPPER PER ASTM B196, ALLOY No. UNS C17300, TD04
 INSULATOR: POLYETHERIMIDE RESIN (ULTEM 1000) PER ASTM D5205
 LOCKWASHER: PHOSPHOR BRONZE

FINISH:
 BODY, INSERT HEX NUT & LOCKWASHER: NICKEL PER SAE AMS2404, CLASS 1

CONTACT: GOLD PER ASTM B 488, TYPE II, CODE C, CLASS 0.76, OVER NICKEL PER AMS-QQ-N-290, CLASS 1, .00005" MIN.

PERFORMANCE:
 FREQ.RANGE: DC TO 67.0 GHz

NOTES:
 1. FOR RECOMMENDED FOOTPRINT TO YOUR SPECIFIC PCB, CONTACT SV MICROWAVE SALES DEPARTMENT (SALES@SVMICRO.COM, 561-840-1800)

MATERIAL:	SEE NOTES	DIMENSIONS ARE IN INCHES TOLERANCES:	UNLESS OTHERWISE SPECIFIED	
FINISH:	SEE NOTES	FRACTIONAL: $\pm 1/64$ ANGULAR: X° $\pm 1'0''$ X°X' $\pm 15''$	1) ALL DIMENSIONS ARE IN INCHES (MILLIMETERS) 2) ALL DIMENSIONS ARE AFTER PLATING. 3) BREAK CORNERS & EDGES .005 R. MAX. 4) CHAM. 1ST & LAST THREADS. 5) SURFACE ROUGHNESS 63-MIL-STD-10. 6) DIA: 'S ON COMMON CENTERS TO BE CONCENTRIC WITHIN .005 T.I.R. 7) REMOVE ALL BURRS	TITLE: STR. F. 1.85mm BLKHD PCB EDGE LAUNCH CONNECTOR, .062" PCB
SURFACE AREA:	N/A	DECIMAL: X $\pm .030$.XX $\pm .010$.XXX $\pm .005$	INTERPRET DIMENSIONS AND TOLERANCES PER ASME Y14.5M - 1994	SIZE DWG. NO. B 3321-00004
PROPRIETARY		THIRD ANGLE PROJECTION		SCALE: 6:1
THE INFORMATION CONTAINED IN THIS DRAWING IS THE SOLE PROPERTY OF SV MICROWAVE, INC. ANY REPRODUCTION IN PART OR AS A WHOLE WITHOUT THE WRITTEN PERMISSION OF SV MICROWAVE, INC IS PROHIBITED.				SHEET 1 OF 1
		DRAWN: JPM 01/13/22		
		CHECKED: SEE PDM		
		APPROVED: SEE PDM		