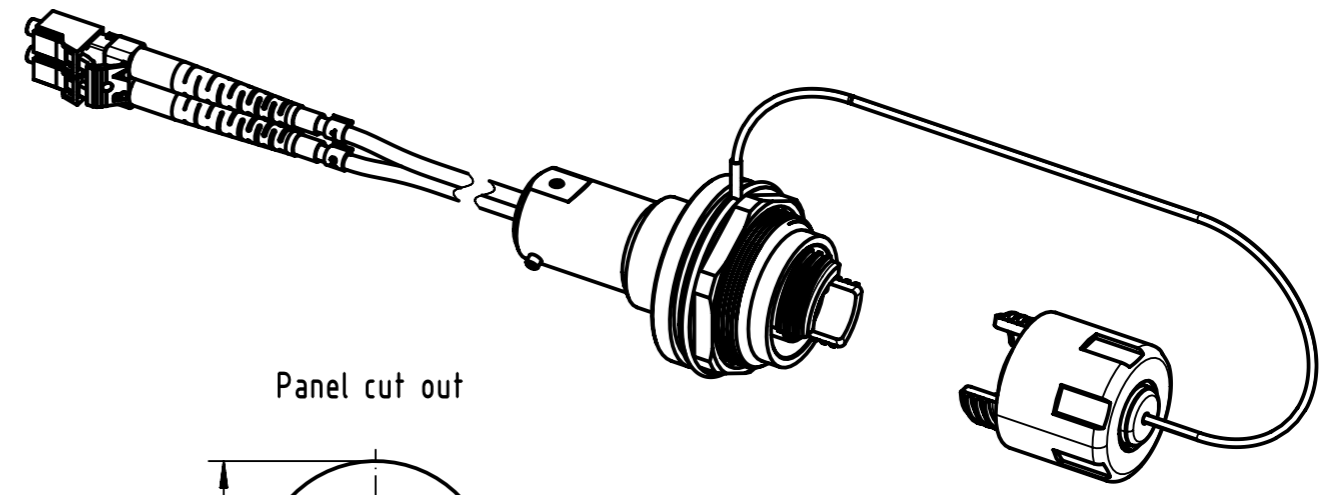
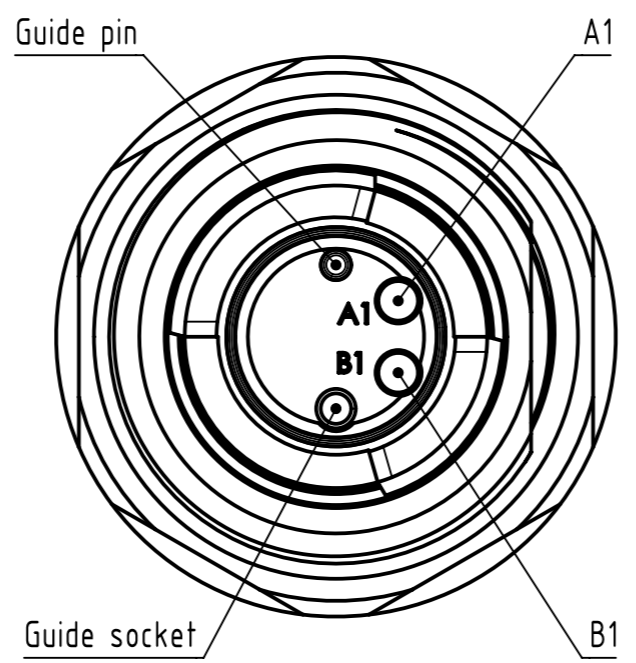
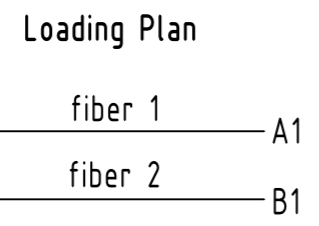
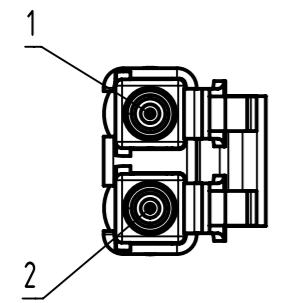
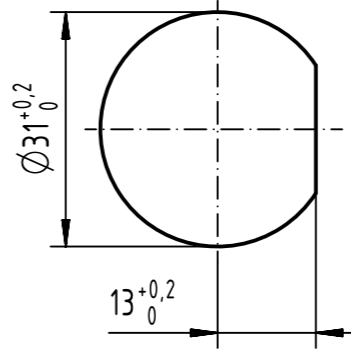


X
male
(without dust cap)

Y
(without dust cap)



Panel cut out



1		33044110010001		FO cable, 2xOM3 ZipCord 2.9mm PVC /UL		1	
Cont. no.	Part no.	Type of cable		Dim. a[m]		Title	
1	2	3	4	5	6	7	8
HARTING logo		All rights reserved		Created by COSTEA Costea		Inspected by 402676 Gross	
Department HCS - RO		Standardisation MUNTEANV Muntean		Date 2021-03-03		State Final Release	
HARTING Customised Solutions		D-32339 Espelkamp		Title FO-BH-D 2Ch 50/125 OM3 - LCdx		Doc-Key / ECM-Nr. 100659673/UGD/024/E 500000190359	
				Type TB		Number 3304411XXX0001	
						Rev. E Page 1/1	