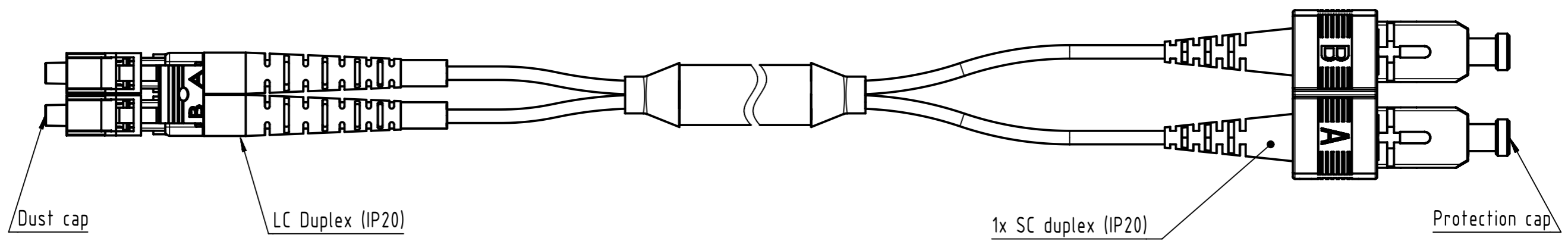
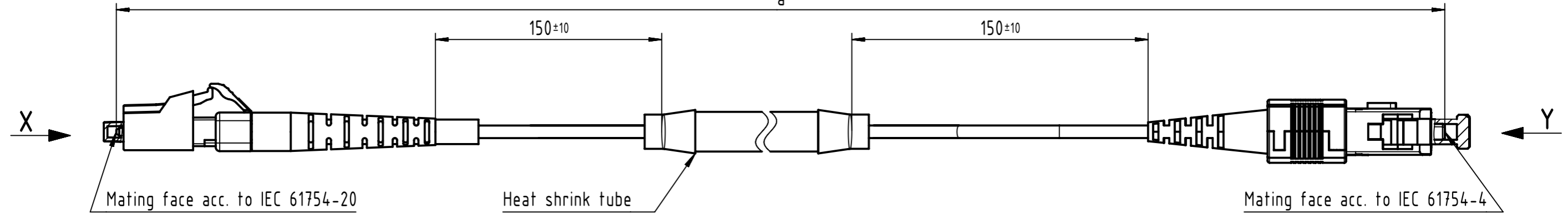


Connector Location A

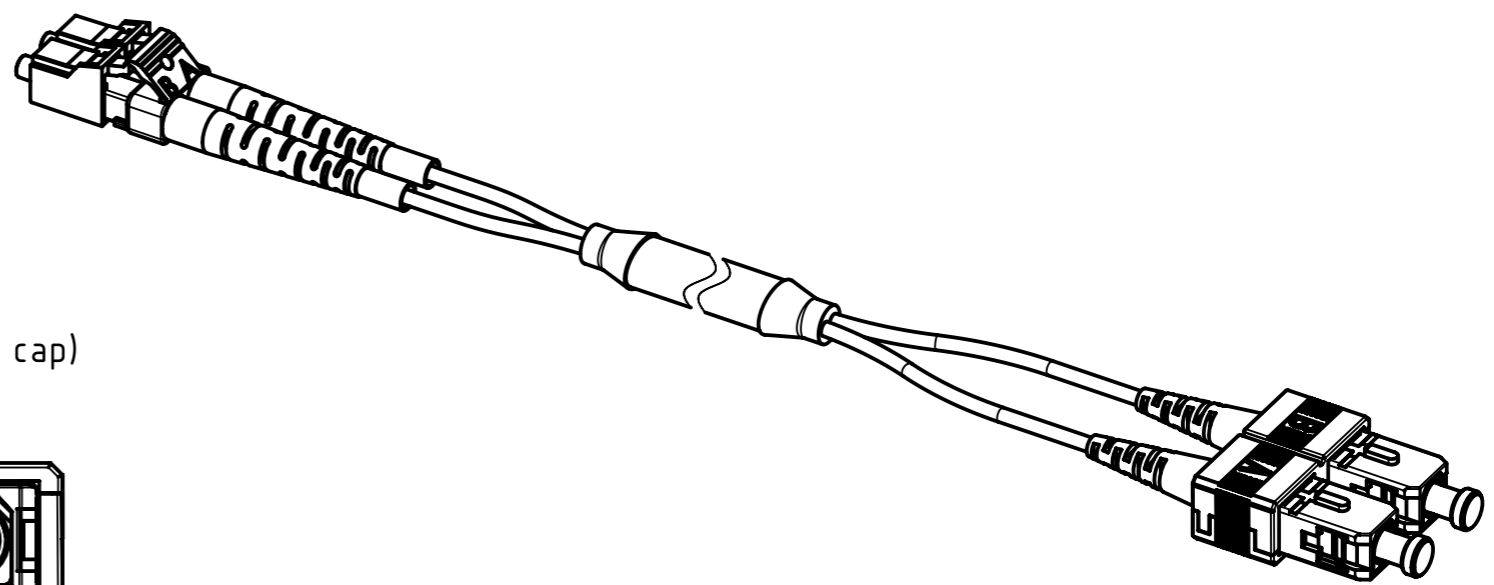
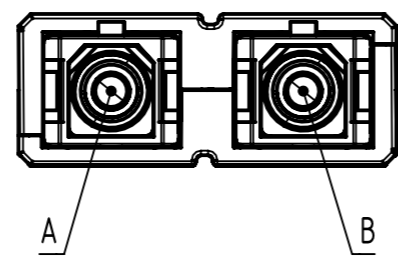
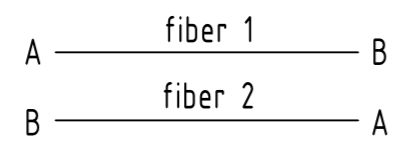
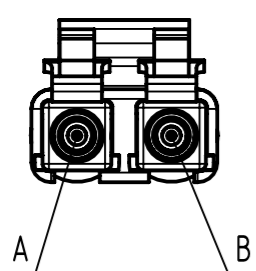
Connector Location B




X  
male  
(without dust cap)

Y  
male  
(without protection cap)

Loading Plan



	All rights reserved Department HCS - RO HARTING Customised Solutions D-32339 Espelkamp	All Dimensions in mm	Tech. Character.	Free size tol.	According to production drawing
		Created by 402676 Gross	Inspected by COSTEA Costea	Standardisation MUNTEANV Muntean	Date 2020-10-14
		Title FO CA SCdx-LCdx 2E9/125 G657.A1			Doc-Key / ECM-Nr. 100656017/UGD/006/C 500000181255
		Type TB	Number 3301241XXX0033		Rev. C Page 1/2

Cont. no.	Part no.	Type of cable	Dim. a[m]	Technical Information				Doc-Key / ECM-Nr.	Page				
13	33012410250033	I-V(ZN)HH 2E9/125 G657.A1	25	 HARTING Customised Solutions D-32339 Espelkamp	All rights reserved Department HCS - RO	Created by 402676 Gross	Inspected by COSTEA Costea	Standardisation MUNTEANV Muntean	Date 2020-10-14	State Final Release	100656017/UGD/006/C 500000181255	Rev. C	2/2
12	33012410200033		20										
11	33012410150033		15										
10	33012410100033		10										
9	33012410090033		9										
8	33012410080033		8										
7	33012410070033		7										
6	33012410060033		6										
5	33012410050033		5										
4	33012410040033		4										
3	33012410030033		3										
2	33012410020033		2										
1	33012410010033		1										



All Dimensions  
in mm

Tech. Character.

Free size tol.

According to production drawing