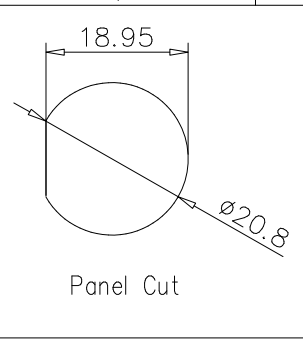
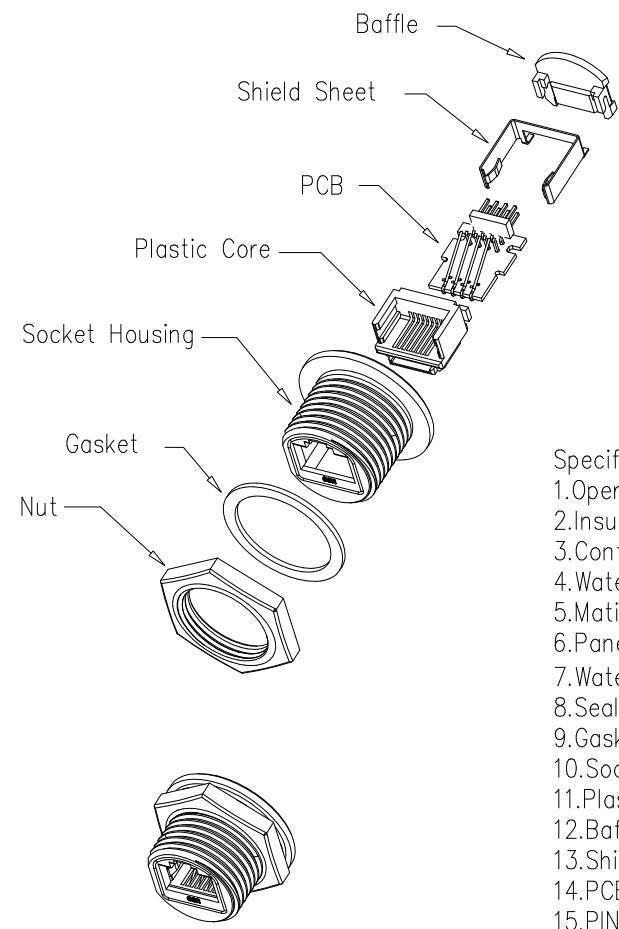
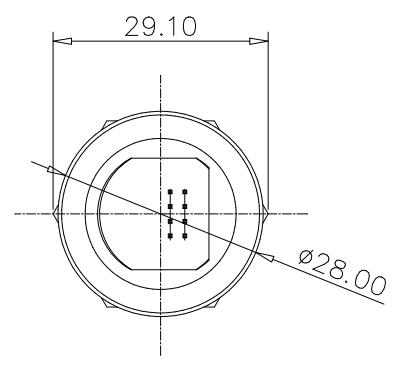
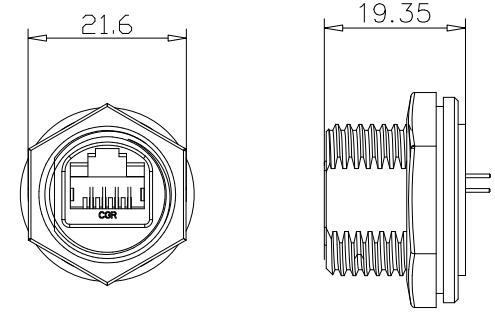


| REV. | ECN NO. | DESCRIPTION | SIGN | DATE |
|------|---------|-----------------|----------|------------|
| C1 | N/A | Initial Drawing | Xinkunfu | 2019/08/13 |



Panel Thickness Max4.0mm



- Specification:
- 1.Operation Temperature: $-40^{\circ}\text{C}\sim 85^{\circ}\text{C}$.
 - 2.Insulation Resistance: $100\text{M}\Omega$ at DC500V.
 - 3.Contact Resistance: $<30\text{m}\Omega$.
 - 4.Waterproof: IP67.
 - 5.Mating Cycles: 500 Cycles.
 - 6.Panel Thickness $\leq 4.0\text{mm}$.
 - 7.Waterproof Rate: IP67(Mated)
 - 8.Seal Nut: Nylon, Black
 - 9.Gasket: Silicon, Gray.
 - 10.Socket Housing: Nylon, Black
 - 11.Plastic Core: CCP PBT, Black
 - 12.Baffle: Nylon, Black
 - 13.Shield Sheet :Ni Plated
 - 14.PCB: Assembly Parts.
 - 15.PIN: Gold-plating.
 - 16.Mated Cap Part Number: 806-00003-00.
 - 17.RoHS Compliant.

| | | | | | | |
|---|--|---------------------|-----------------------------|------------------------|-----------------------|--------------------|
| UNIT: mm | DESCRIPTION RJ45 PCB Panel Mount(Screw) | | CHOGORI [®] | PART NO 33000000-07 | DRAWN BY Xinkunfu | DATE 2019/08/13 |
| TOLERANCE .X ± 0.25 .XX ± 0.15 .XXX ± 0.05 ANGLES $\pm 1^{\circ}$ | SCALE: 1:1 | SHEET 1 OF 1 | | DWG NO | CHECKED BY Allen | DATE 2019/08/13 |
| REV. C1 | SIZE A4 | * : Inspection Item | | CUSTOMER | APPROVED BY Panson | DATE 2019/08/13 |

THIS INFORMATION IS CONFIDENTIAL AND IS DISCLOSED TO YOU ON CONDITION THAT NO FURTHER DISCLOSURE IS MADE BY YOU TO OTHER THAN CHOGORI PERSONNEL WITHOUT AUTHORIZATION FROM CHOGORI CORP.