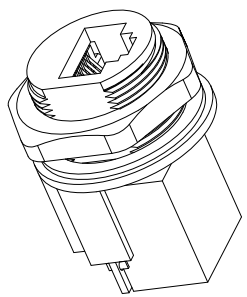
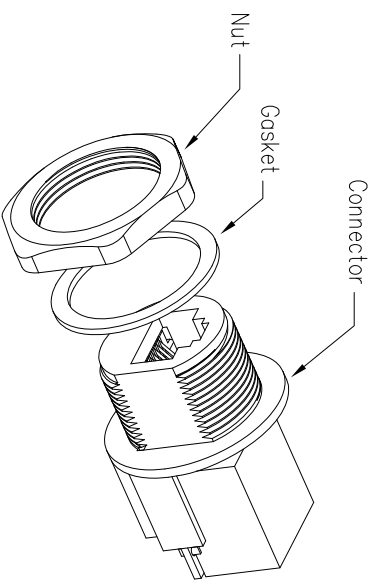
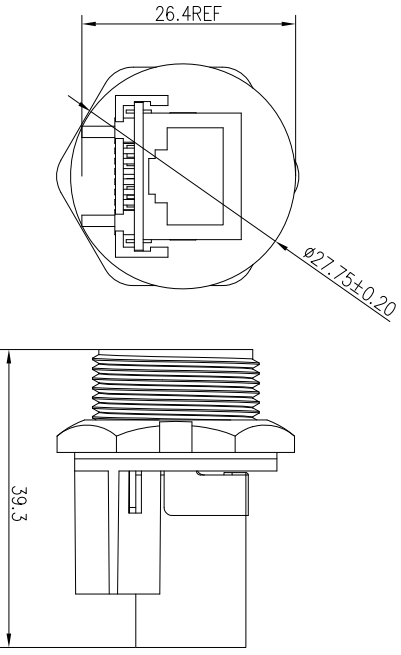
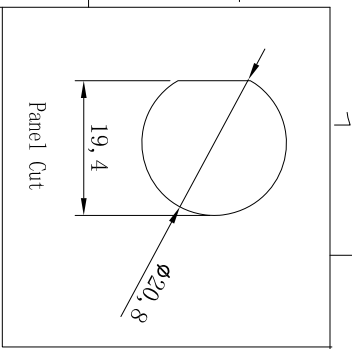


REV.	ECN NO.	DESCRIPTION	SIGN	DATE
C1	N/A	Initial Drawing	LiYongSheng	2020/04/29



- Specification:
- 1.Operation Temperature:  $-40^{\circ}\text{C}\sim 85^{\circ}\text{C}$ .
  - 2.Insulation Resistance:  $100\text{M}\Omega$  At DC500V.
  - 3.Contact Resistance:  $<30\text{m}\Omega$ .
  - 4.Waterproof: IP67.
  - 5.Mating Cycles: 500 cycles.
  - 6.Seal Nut: Nylon, Black
  - 7.Gasket: Silicon, Gray.
  - 8.Socket Housing: Nylon, Black
  - 9.Baffle: Nylon, Black
  - 10.Shield Sheet : Ni Plated
  - 11.PCB: Assembly Parts.
  - 12.RoHS Compliant.

UNIT: mm	
----------	--

DESCRIPTION	RJ45 Threaded socket 180°
-------------	---------------------------



PART NO	33000000-01	DRAWN BY	LiYongSheng	DATE	2020/04/29
DWG NO		CHECKED BY	Allen	DATE	2020/04/29
CUSTOMER		APPROVED BY	Panson	DATE	2019/04/29

TOLERANCE	$\pm 0.25$
X	$\pm 0.15$
XX	$\pm 0.05$
XXX	F1
ANGLES	

SCALE	1:1	SIZE	A4	SHEET	X	OF	X
REV	C1	* : Inspection Item					

DESCRIPTION	RJ45 Threaded socket 180°
-------------	---------------------------

PART NO	33000000-01	DRAWN BY	LiYongSheng	DATE	2020/04/29
DWG NO		CHECKED BY	Allen	DATE	2020/04/29
CUSTOMER		APPROVED BY	Panson	DATE	2019/04/29