

XS8C1A1PAL10

Inductive proximity sensors XS, inductive sensor XS8 40x40x15, PBT, Sn25mm, 12...24 VDC, cable 10 m



Main

| | |
|------------------------------------|--|
| Range of Product | Telemecanique Inductive proximity sensors XS |
| Series name | General purpose |
| Sensor Type | Inductive proximity sensor |
| Device Application | - |
| Sensor name | XS8 |
| Sensor design | Flat form 40 x 40 x 15 |
| Size | 15 mm |
| Body type | Fixed |
| Detector flush mounting acceptance | Non flush mountable |
| Material | Plastic |
| Enclosure Material | PBT |
| Type of output signal | Discrete |
| Wiring Technique | 3-wire |
| [Sn] nominal sensing distance | 0.59 in (15 mm) flush mountable 0.98 in (25 mm) non flush mountable |
| Discrete output function | 1 NO |
| Output circuit type | DC |
| Discrete output type | PNP |
| Electrical connection | Cable |
| Cable length | 32.81 ft (10 m) |
| [Us] rated supply voltage | 12...24 V DC reverse polarity protection |
| Switching capacity in mA | <= 200 mA DC overload and short-circuit protection |
| IP degree of protection | IP68 double insulation conforming to IEC 60529 |

Complementary

| | |
|--------------------------|--|
| Detection face | Frontal |
| Front material | PBT |
| Fine adjustment zone | 0.31...0.59 in (8...15 mm) flush mountable 0.31...0.98 in (8...25 mm) non flush mountable |
| Differential travel | 1...15% of Sr |
| Cable composition | 3 x 0.34 mm ² |
| Wire insulation material | PvR |
| Supply voltage limits | 10...36 V DC |
| Maximum residual current | 1.5 mA open state |
| Switching frequency | <= 1000 Hz |
| Maximum voltage drop | <2 V closed) |
| Current consumption | <= 10 mA no-load |
| Maximum delay first up | 10 ms |
| Maximum delay response | 0.3 ms |
| Maximum delay recovery | 0.8 ms |
| Marking | CE |
| Depth | 0.59 in (15 mm) |
| Height | 1.57 in (40 mm) |

| | |
|------------|------------------------|
| Width | 1.57 in (40 mm) |
| Net Weight | 0.91 lb(US) (0.415 kg) |

Environment

| | |
|---------------------------------------|---|
| Product Certifications | CSA UL |
| Ambient Air Temperature for Operation | -13...158 °F (-25...70 °C) |
| Ambient Air Temperature for Storage | -40...185 °F (-40...85 °C) |
| Vibration resistance | 25 gn +/- 2 mm 10...55 Hz)IEC 60068-2-6 |
| Shock resistance | 50 gn 11 ms IEC 60068-2-27 |

Ordering and shipping details

| | |
|-----------------------|--------------------------|
| Category | 22486-SENSORS, PROXIMITY |
| Discount Schedule | DS2 |
| GTIN | 3389110123470 |
| Nbr. of units in pkg. | 1 |
| Package weight(Lbs) | 12.24 oz (347.0 g) |
| Returnability | No |
| Country of origin | FR |

Packing Units

| | |
|------------------------------|-------------------------|
| Unit Type of Package 1 | PCE |
| Package 1 Height | 2.68 in (6.8 cm) |
| Package 1 width | 3.94 in (10 cm) |
| Package 1 Length | 5.12 in (13 cm) |
| Unit Type of Package 2 | S02 |
| Number of Units in Package 2 | 14 |
| Package 2 Weight | 11.39 lb(US) (5.165 kg) |
| Package 2 Height | 5.91 in (15 cm) |
| Package 2 width | 11.81 in (30 cm) |
| Package 2 Length | 15.75 in (40 cm) |

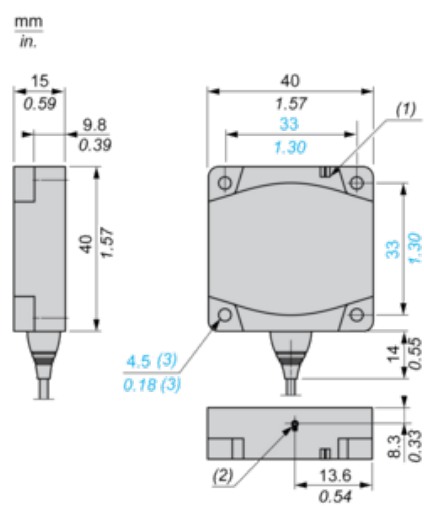
Offer Sustainability

| | |
|----------------------------|---|
| Sustainable offer status | Green Premium product |
| California proposition 65 | WARNING: This product can expose you to chemicals including: Diisononyl phthalate (DINP), which is known to the State of California to cause cancer, and Di-isodecyl phthalate (DIDP), which is known to the State of California to cause birth defects or other reproductive harm. For more information go to www.P65Warnings.ca.gov |
| REACH Regulation | REACH Declaration |
| EU RoHS Directive | Pro-active compliance (Product out of EU RoHS legal scope) EU RoHS Declaration |
| Mercury free | Yes |
| RoHS exemption information | Yes |
| Environmental Disclosure | Product Environmental Profile |

Contractual warranty

| | |
|----------|-----------|
| Warranty | 18 months |
|----------|-----------|

Dimensions



- (1) LED
- (2) Teach mode button
- (3) For CHC type screws

Setting-up

Minimum Mounting Distances (mm)

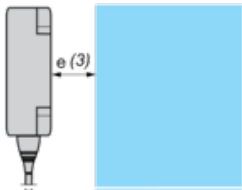
Side by Side



Face to Face



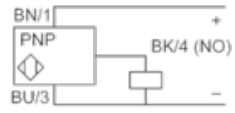
Facing a Metal Object



| | e (1) | e (2) | e (3) |
|-------------------|-------|-------|-------|
| Flush mounted | 60 | 120 | 15 |
| Not flush mounted | 125 | 250 | |

Wiring Schemes

PNP



BU : Blue
BN : Brown
BK : Black