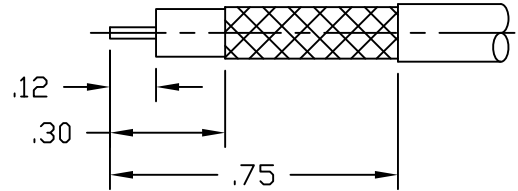
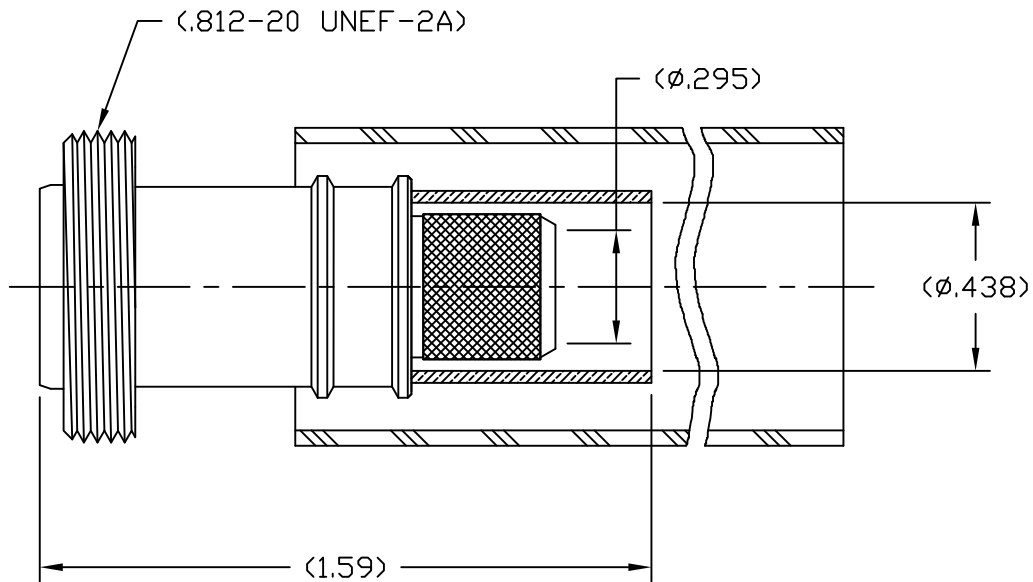


NOTICE OF PROPRIETARY RIGHTS THIS DOCUMENT CONTAINS CONFIDENTIAL TECHNICAL DATA, INCLUDING TRADE SECRETS, PROPRIETARY TO TIMES MICROWAVE SYSTEMS. DISCLOSURE OF THIS DATA IS EXPRESSLY CONDITIONED UPON YOUR ASSENT THAT ITS USE IS LIMITED TO USE WITHIN YOUR COMPANY ONLY. ANY OTHER USE IS STRICTLY PROHIBITED WITHOUT THE PRIOR WRITTEN CONSENT OF TIMES MICROWAVE SYSTEMS.

SYM	REVISION DESCRIPTION	DFTM	DATE	APPD	DATE
-	RELEASED FOR PRODUCTION	J. C. L.	5/6/05	J. C. L.	5/6/05
A	Removed reference to coupling nut & gasket	J. P.	6/8/05	J. P.	6/8/05
B	CHANGED PER CDC #33711	D. J. H.	6/21/11	J. D. B.	6/30/11



CABLE PREPARATION DETAIL
(NOT TO SCALE)
HEX SIZE .429
CONNECTOR ADDS .66 TO OVERALL LENGTH



- | | |
|---|---|
| 1.0 PERFORMANCE | 2.2 CONTACT: BERYLLIUM COPPER ASTM-B-196 |
| 1.1 FREQUENCY RANGE: DC-11GHz | 2.3 CRIMP FERRULE: CDA-122 COPPER, ASTM-B-75 |
| 1.2 VOLTAGE RATING: 1000V RMS (sea level) | 2.4 ALL OTHER METAL PARTS: BRASS, ASTM-B-16 |
| 1.3 NOMINAL IMPEDANCE: 50 OHMS | 2.5 HEAT SHRINK TUBE: POLYELFIN, MIL-I-23053/4, CL 3, BLACK |
| 1.4 DWV: 2500 V RMS @ 60 Hz (sea level) | 3.0 FINISHES |
| 1.5 TEMPERATURE RANGE: -65°C TO +165°C | 3.1 CENTER CONTACT: GOLD PLATE |
| 2.0 MATERIALS | 3.2 ALL OTHER METAL PARTS: NICKEL PLATE |
| 2.1 DIELECTRIC: TEFLON, ASTM-D-1710 | |

MATL:	UNLESS OTHERWISE SPECIFIED ALL DIMENSIONS ARE IN INCHES MACHINED SURFACES FINISH 32 RMS MAX. REMOVE ALL BURRS .005 MAX. BREAK MACHINE CORNERS .005 MAX. FILLET R. TOLERANCES ON DECIMALS .XX ± .03 .XXX ± .005 ANGLES ± 1° FRACTIONS ± 1/32	DFTM. J. C. L.	TIMES MICROWAVE SYSTEMS		
		DATE 5/6/05			
USED ON: C		CHKD. J. C. L.	TC-214-NTRF NTR FEMALE FOR RG-214 CABLE		
		DATE 5/6/05			
SCALE: N/A	DWG. SIZE A	APPD. J. C. L.	SHEET 1 of 1	3190-1886	REV B
		DO NOT SCALE DRAWING			