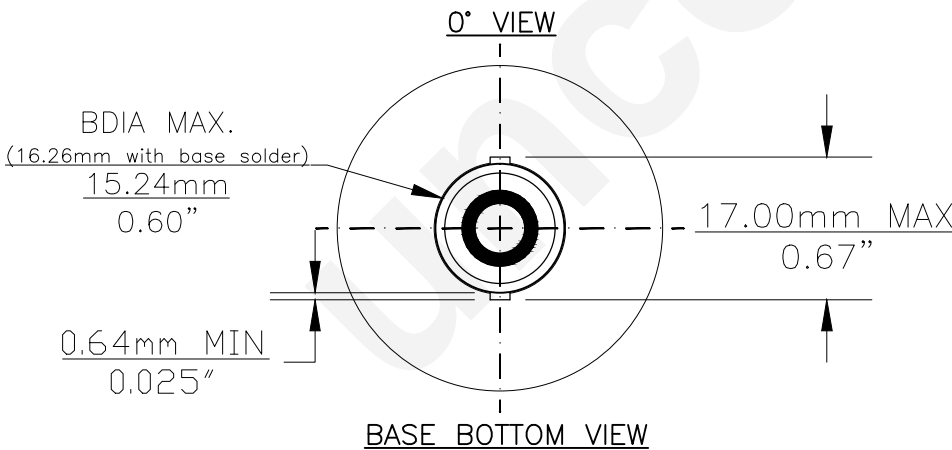
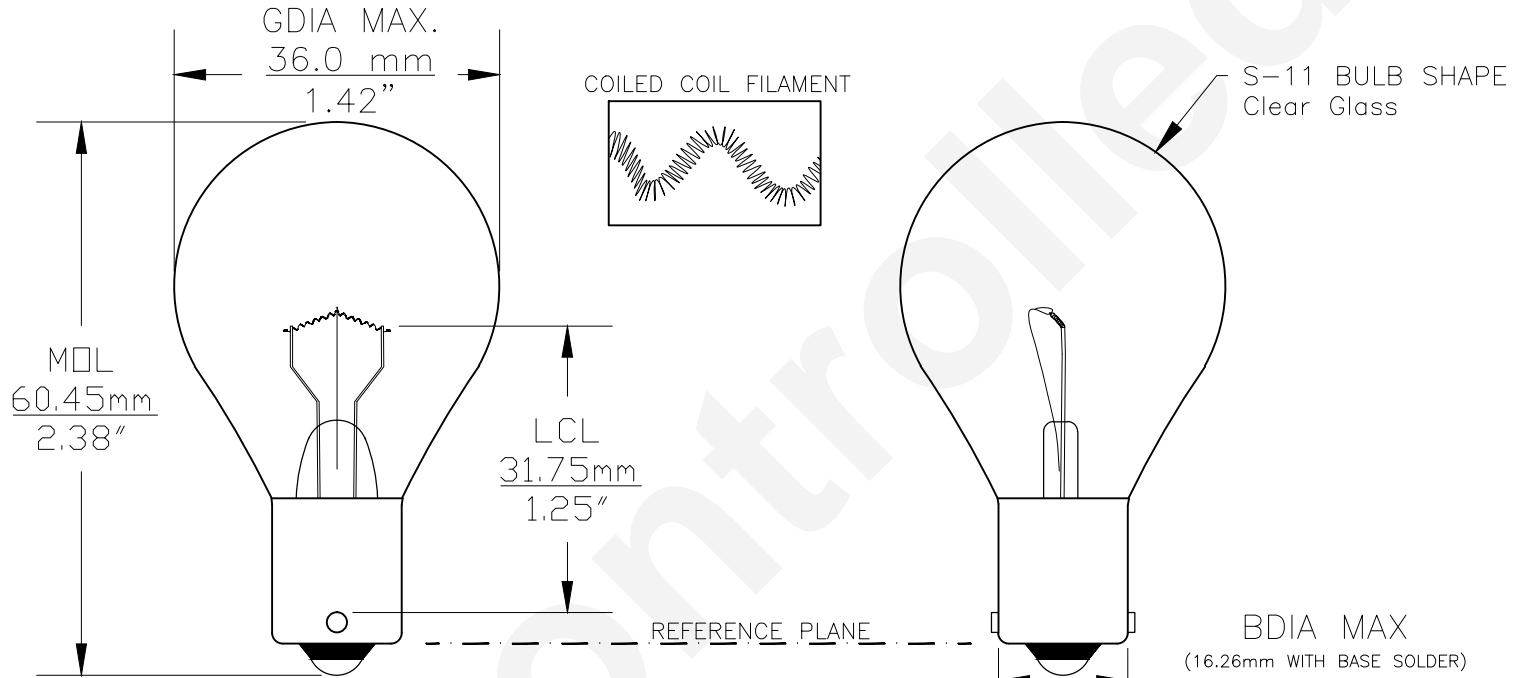




Since 1959

PART NO.	BASE TYPE	DESIGN VOLTS	DESIGN AMPS	MSCD	FILAMENT TYPE	AVERAGE LIFE HOURS	REVISIONS			
							REV #	DESCRIPTION	DATE	APPROVED
311	S.C. Bayonet (BA15s)	28.0V	1.29±15%	1.29±30%	CC-2V	300	1	REDRAWN FOR ADDITIONAL VIEWS	10/31/2014	R.M.



Note: Made according to SAE specifications



UNLESS OTHERWISE SPECIFIED: DIMENSIONS ARE IN INCHES TOLERANCES		CEC INDUSTRIES LTD	
DECIMALS	ANGULAR	599 BOND STREET LINCOLNSHIRE, IL 60069	
.XX ± .05	± 0.5°	TITLE LIGHT BULB NO. 311	
.XXX ± .010		SIZE A	FSCM NO. 311
FRACTIONAL	± 1/64	DWG NO. 311	REV 1
DRAWN ANNA SOLOVEYCHIK	DATE 11/27/2002	SCALE	PLOT SCALE SHEET 1 OF 1
CHECKED		FILE 311.pdf	DRAWING NOT TO SCALE