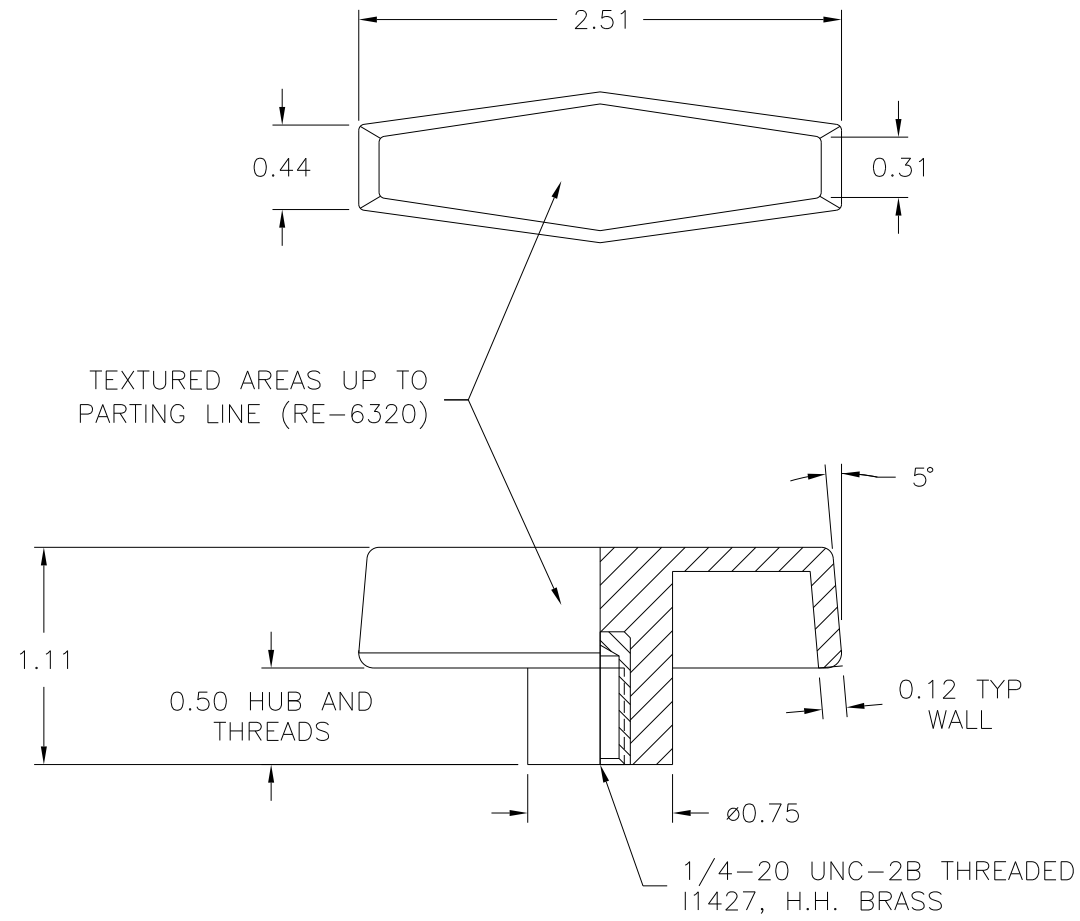


PART NAME: KNOB      SCALE: 1:1      DATE: 8/19/85      DR. BY HD

THIS DRAWING IS THE PROPERTY OF DAVIES MOLDING COMPANY, IS SUBMITTED SOLELY AS A DESIGN OR ENGINEERING PROJECT.  
WE ACCEPT NO RESPONSIBILITY WHATSOEVER FOR THE PRACTICAL APPLICATION OF THE PIECES MADE TO THIS DESIGN.

**DAVIES MOLDING** DESIGNERS & MANUFACTURERS OF KNOBS, HANDLES, CASES & CUSTOM PLASTIC COMPONENTS

P/N	3088
M NO. #	30
CAVITY	3088
CORE	3088
BUSHING	3088
EJECT. PIN	3088
PIN	3088-1
INSERT	I1427



Ⓑ MATERIAL: NYLON 6/6 (ZY2), (ZY6)  
OR ENGINEERING APPROVED EQUIVALENT  
COLOR: BLACK

TOLERANCES: UNLESS OTHERWISE SPECIFIED	DO NOT SCALE DRAWING	B	WAS CLC, ADDED ZY6	JAM	6/25/12
DECIMALS: X.XXX ± .005 X.XX ± .015	MM: X.XX ± 0.15MM X.X ± 0.4MM	A	ADDED MAT. CODE	JAM	1/2/07
FRACTIONS ± 1/64	ANG. ± 1°	-	REDRAWN	TL	11/11/99
CHANGES					