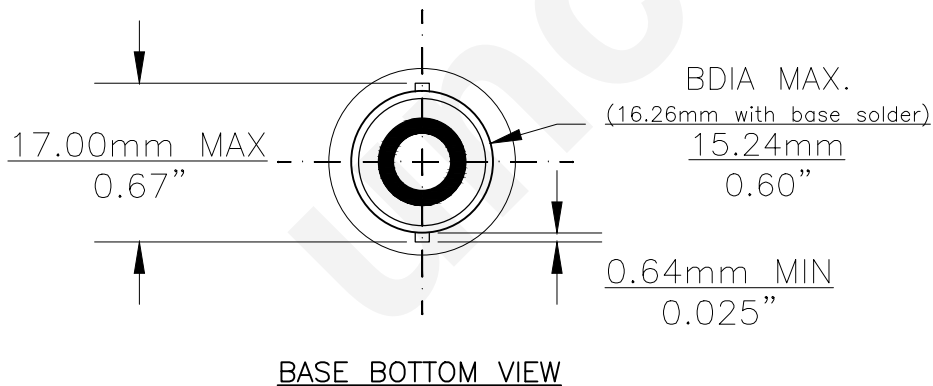
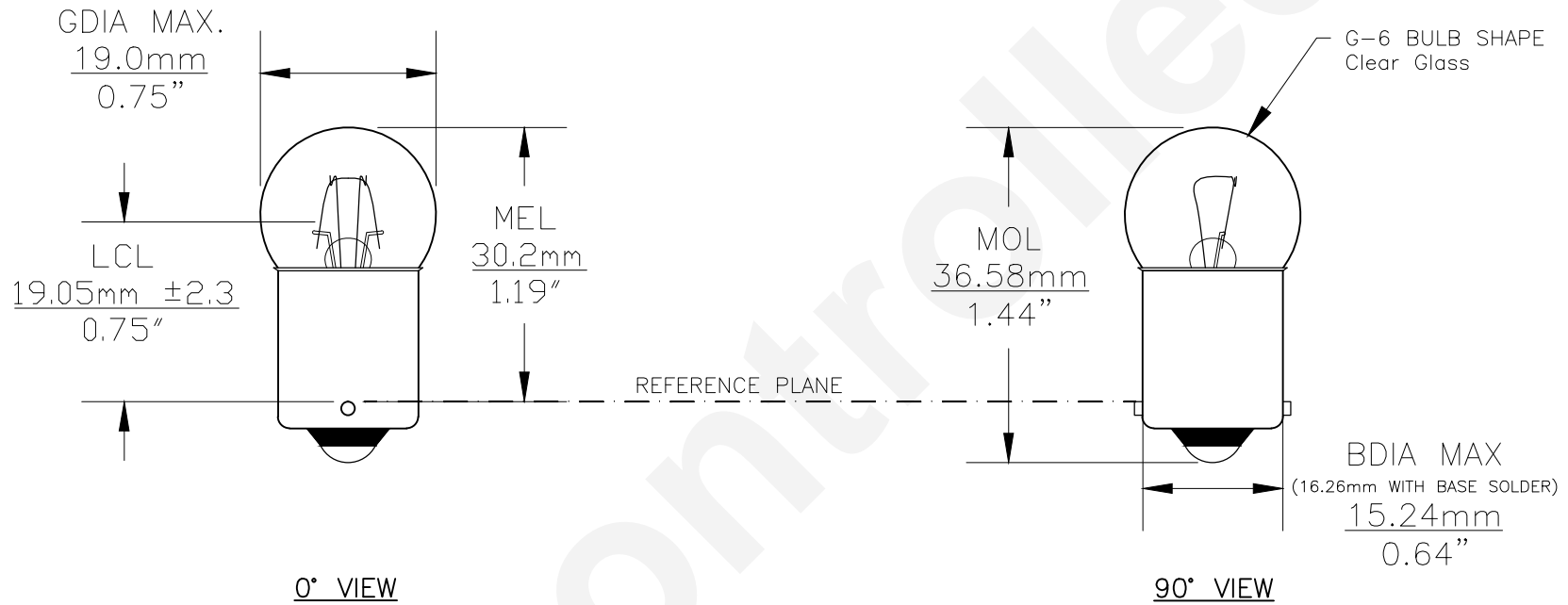




PART NO.	BASE TYPE	DESIGN VOLTS	DESIGN AMPS	MSCD	FILAMENT TYPE	AVERAGE LIFE HOURS	REVISIONS			
							REV #	DESCRIPTION	DATE	APPROVED
303X	S.C. BAYONET (BA15s)	28.0V	0.3±20%	6 ±25%	C-2F	500	1	REDRAWN FOR ADDITIONAL VIEWS	10/31/2014	R.M.



Note: Made according to SAE specifications

UNLESS OTHERWISE SPECIFIED: DIMENSIONS ARE IN INCHES TOLERANCES		CEC INDUSTRIES LTD			
DECIMALS .XX ± .05		599 BOND STREET		LINCOLNSHIRE, IL 60069	
ANGULAR .XXX ± .010		TITLE LIGHT BULB NO. 303X			
FRACTIONAL ±1/64		SIZE A	FSCM NO.	DWG NO. 303X	REV 1
DRAWN SIDNEY LIU	DATE 08/18/2009	SCALE	PLOT SCALE	SHEET 1 OF 1	
CHECKED	DESIGN	MATERIAL	FILE 303X.pdf	DRAWING NOT TO SCALE	