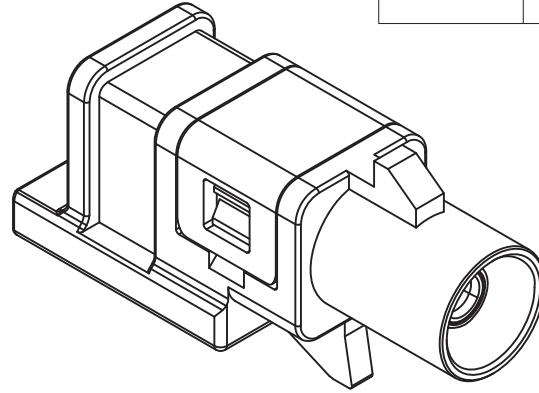


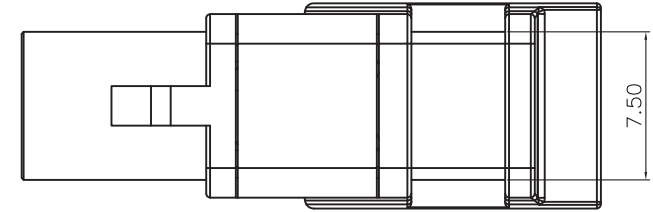
NOTES:

1. MATERIAL AND FINISHES (PLATING THICKNESS IN MICRIO-INCHES):
SEE THE FORM BELOW
2. ELECTRICAL:
 - A. IMPEDANCE: 50 OHM NOMIAL
 - B. FREQUENCY RANGE: DC-6 GHz
 - C. VSWR (RETURN LOSS): 25dB, DC to 3GHz
20dB, DC to 6GHz
 - D. D. W. V: 750 VRMS, MIN
 - E. CENTER CONTACT RESISTANCE: $\leq 24m\Omega$ (PER USCAR-17)
 - F. OUT CONDUCTOR RESISTANCE: $\leq 5m\Omega$ (PER USCAR-2)
3. MECHANICAL:
 - A. MATING CYCLES ≥ 25
 - B. ENGAGEMENT FORCE $\leq 25N$
 - C. DISENGAGEMENT FORCE $\geq 5N$
 - D. RETENTION FORCE LACTH $\geq 110N$
 - E. CODING EFFICIENCY $\geq 40N$
4. ENVIRONMENTAL DATA:
 - A. TEMPERATURE RANGE: -40C TO +105C
 - B. THERMAL SHOCK: (PER USCAR-2)
 - C. TEMPERATURE AND HUMIDITY: (PER USCAR-2)
 - D. VIBERATION AND MECHANICAL SHOCK: (PER USCAR-2)
5. "▼" IMPORTANT SIZE
"★" SPECIAL CHARACTERISTIC

ECN NO.	REV	DATE	DESCRIPTION	MDF'D	APP'D
	A0	2022. 10. 21	Initial version	LEo	JJW

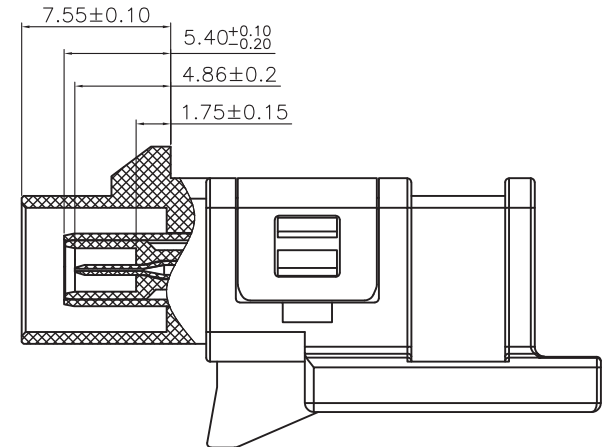
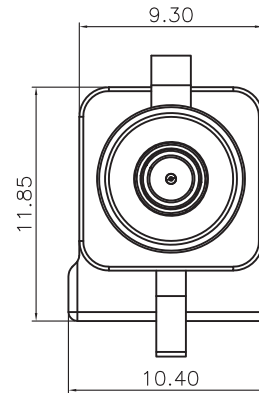
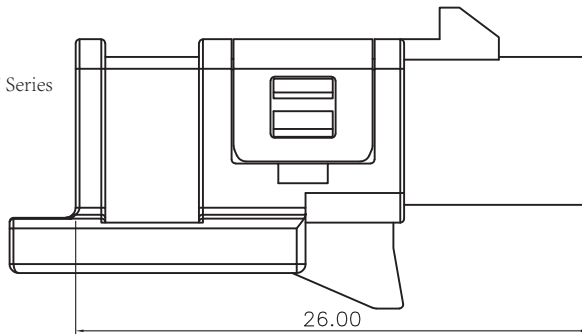


3D VIEW



302*00005
CODING:
SEE TABLE

Mates with 302x00001 & 102x00007 Series

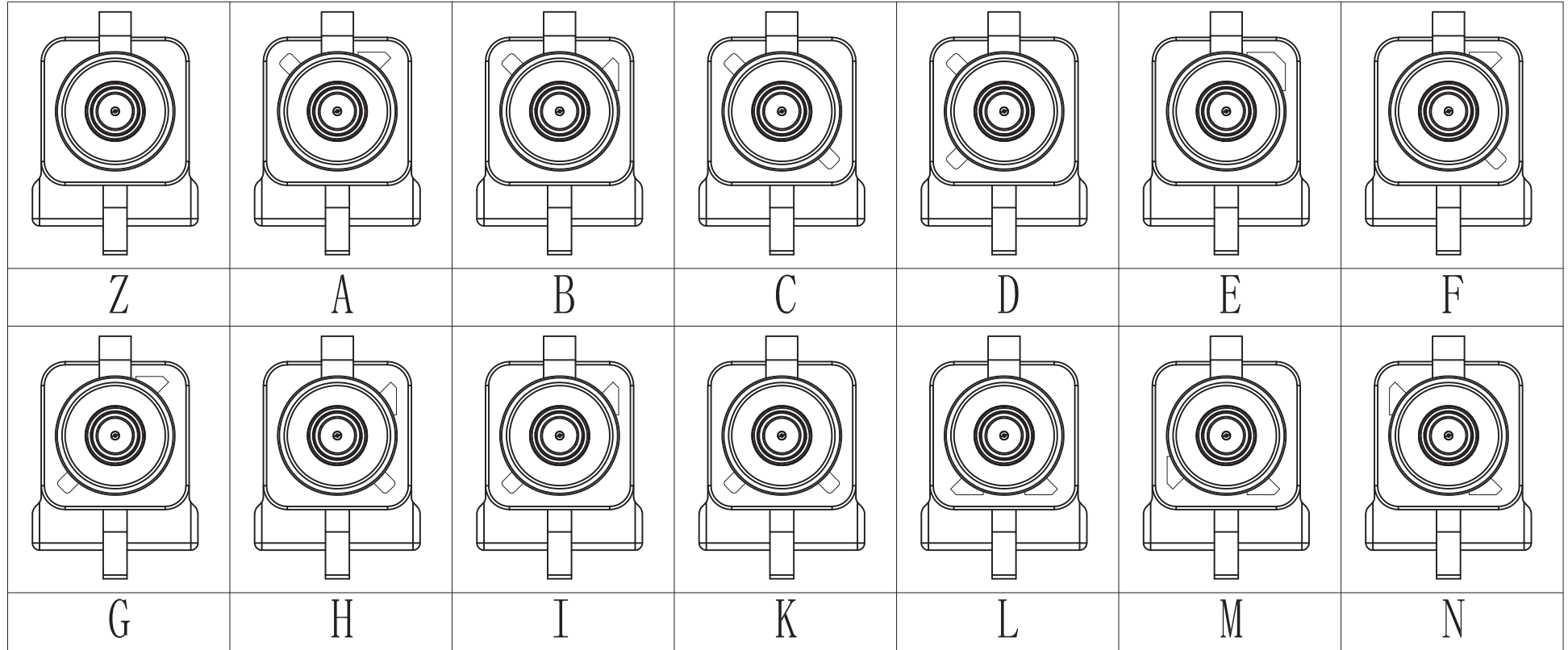


6	Crimp	1	C3602	Nickel 80u" Min	General Tolerance Angle Tolerance $\pm 1^\circ$ Unless otherwise specified, dimensions are in metric and tolerances are
5	Outer conductor	1	Zinc alloy	Nickel 100u" Min Su; 100u" Min	
4	Insulator	1	PPOPA	Signal green	
3	Terminal	1	C5191	Nickel 80u" Min, Contact gold 3u"	
2	Inner Stopper	1	PPOPA	Zinc yellow	
1	Plastic Housing	1	PPOPA	See table	MATL: SEE-NOTES
NO	Part name	Number	Material	Plating / Color	CUSTOMER-DRAWING

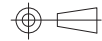
POWER DYNAMICS INC.		
145 Algonquin Parkway, Whippany, NJ 07981		
Phone: 1-973-560-0019	e-mail: sales@powerdynamics.com	www.powerdynamics.com
DESIGNER	LEo	TITLE: 1 pin Mini Fakra Jack
CHECKED	LEo	PARTS NO: 302x00005
APPROVAL	JJW	(UNIT): mm (SCALE): 1:1 (SHT): 1/2

CODING TABLE

ECN NO.	REV	DATE	DESCRIPTION	MDF'D	APP'D
	A0	2022. 10. 21	Initial version	LEo	JJW



Coding	Part No.	Color	Ral No.
Z	302Z00005	water blue	5021
A	302A00005	Dark black	9005
B	302B00005	cream white	9001
C	302C00005	wathet	5005
D	302D00005	violet	4004
E	302E00005	leaf green	6002
F	302F00005	Dark brown	8011
G	302G00005	blue grey	7031
H	302H00005	purple	4003
I	302I00005	Beige	1001
K	302K00005	Curry	1027
L	302L00005	Carmin	3002
M	302M00005	Pastel orange	2003
N	302N00005	Pastel green	6019

General Tolerance		Angle Tolerance		POWER DYNAMICS INC. 145 Algonquin Parkway, Whippany, NJ 07981 Phone: 1-973-560-0019 e-mail: sales@powerdynamics.com www.powerdynamics.com		
<0.5	±0.10	±1°				
0.5-6	±0.15	Unless otherwise specified, dimensions are in metric and tolerances are		DESIGNER	LEo	TITLE: 1 pin Mini Fakra Jack
6-30	±0.20			CHECKED	LEo	PARTS NO: 302x00005
30-120	±0.30			APPROVAL	JJW	 (UNIT): mm (SCALE):1:1 (SHT):2/2
MATL: SEE-NOTES				CUSTOMER-DRAWING		