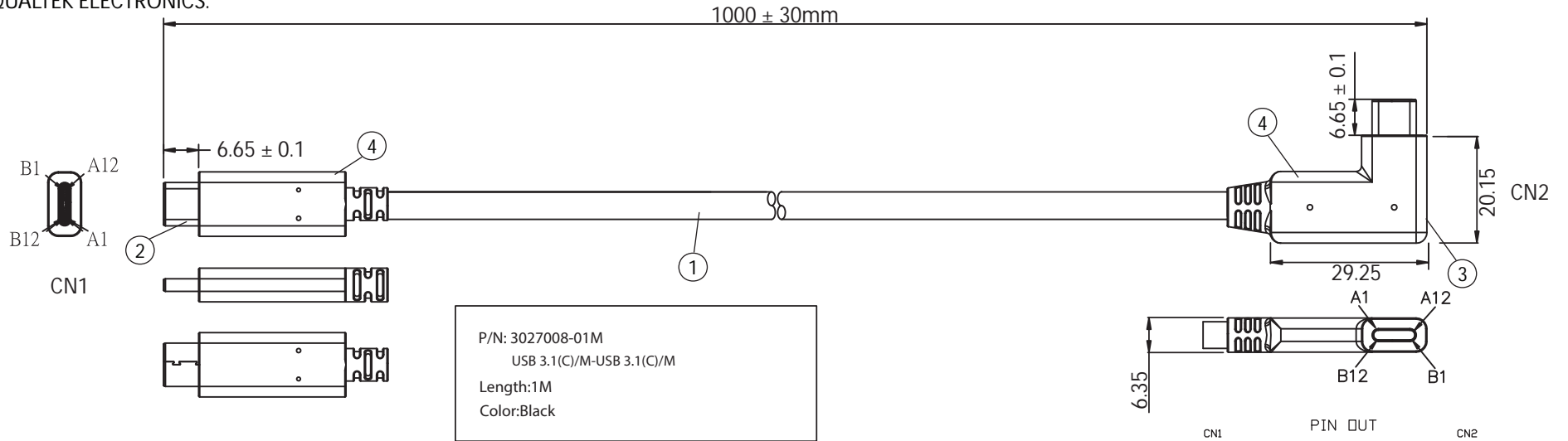


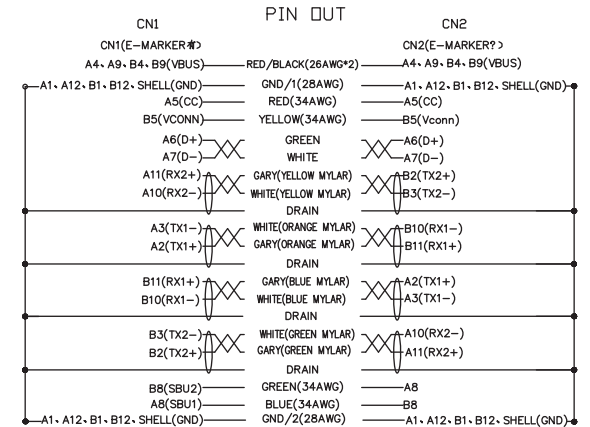
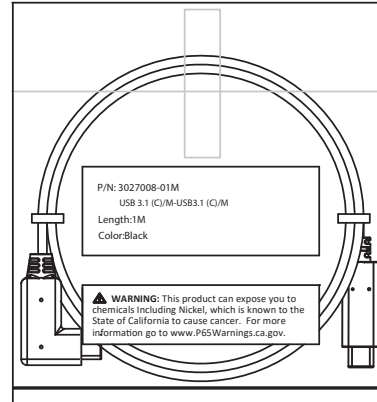
THESE DRAWINGS ARE THE PROPERTY OF QUALTEK ELECTRONICS AND NOT TO BE REPRODUCED FOR OR COMMUNICATED TO A THIRD PARTY WITHOUT THE EXPRESS WRITTEN PERMISSION OF AN OFFICER OF QUALTEK ELECTRONICS.

REVISION			
REV.	DESCRIPTION	DATE	APPROVED



NOTES:

- CABLE:**
(7/0.103TA*1PR+EAM)x4+(7/0.09TA*1PR+AM)
+7/0.16TAx2C+7/0.06TAx1C+(7/0.06TA*1C+A)x3+2EAB 85%
PVC OUTER JACKET: BLACK, OD: 5.1 ± 0.2mm
- CONNECTOR: USB 3.1 GEN 2 TYPE C MALE**
INSULATOR: BLACK PBT
PIN GOLD PLATED 30u"
NICKEL PLATED SHELL
- CONNECTOR: USB 3.1 GEN 2 TYPE C MALE**
INSULATOR: BLACK PBT
PIN GOLD PLATED 30u"
NICKEL PLATED SHELL
PCB WITH E-MARKER
- MOLDED: 80A TPE COLOR BLACK**
- ELECTRICAL TEST:**
<1>.100% OPEN SHORT & MISS WIRE TEST
<2>.HI-POT: 50V AC/0.01 SEC 50V DC/0.01 SEC
<3>.INSULATION RESISTANCE: 10M OHM (MIN)
<4>.CONDUCTIVE RESISTANCE: 3 OHM (MAX)
- DATA TRANSFER RATE UP TO 10Gbps (NOMINAL)**
- CURRENT RATING UP TO 5A (NOMINAL)**
- VOLTAGE RATING UP TO 20V (NOMINAL)**
- PACKING: 1PC/POLYBAG W/ LABEL**



CONTROLLED

Dim range (mm)	Tolerance +/- (mm)	Qualtek Electronics Corp. WCI DIVISION		
		Part Number: 3027008-01M		RoHS Compliant
0-1	0.15	Description: USB 3.1(C)/M LEFT ANGLE - USB 3.1 (C)/M		
1-6	0.20			
6-18	0.30	UNIT: mm		
18-50	0.50	Drawn / Date	Checked / Date	Approved / Date
50-120	0.70	R. Nuti	08-06-20	LY / 08-06-20
120-250	0.90			
250-500	1.20			