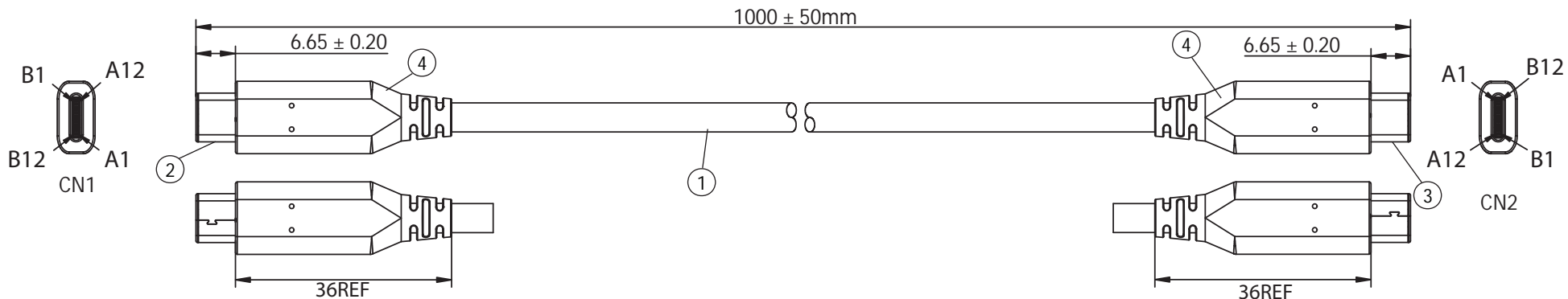
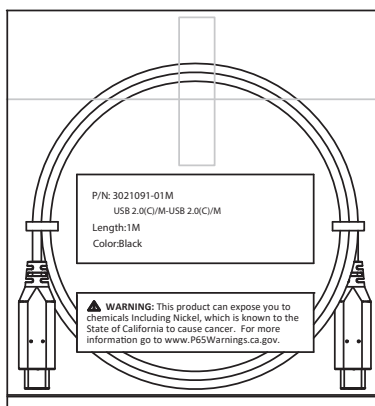


THESE DRAWINGS ARE THE PROPERTY OF QUALTEK ELECTRONICS AND NOT TO BE REPRODUCED FOR OR COMMUNICATED TO A THIRD PARTY WITHOUT THE EXPRESS WRITTEN PERMISSION OF AN OFFICER OF QUALTEK ELECTRONICS.

| REVISION | | | |
|----------|-------------|------|----------|
| REV. | DESCRIPTION | DATE | APPROVED |
| | | | |
| | | | |
| | | | |

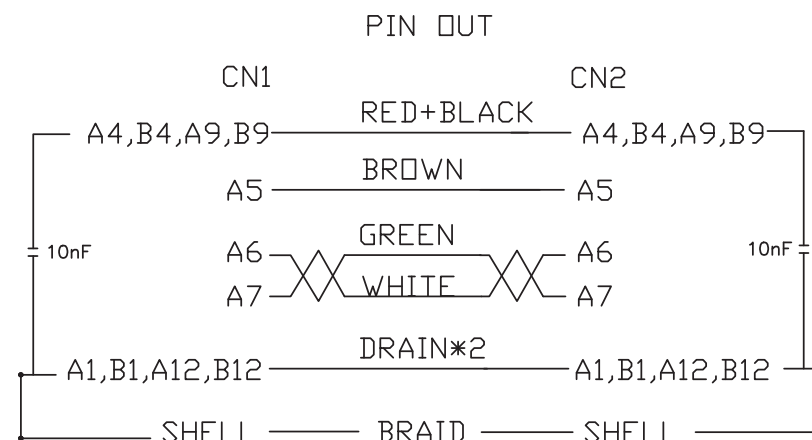


P/N: 3021091-01M
 USB 2.0(C)/M-USB 2.0(C)/M
 Length:1M
 Color:Black



NOTES:

- CABLE: UL 2725
 30AWGx1PR+34AWGx2C+26AWGx2C+A2EB
 PVC OUTER JACKET: BLACK, OD: 3.5 ± 0.2mm
- CONNECTOR: USB 2.0 TYPE C MALE
 INSULATOR: BLACK PBT
 PIN G/F
 NICKEL PLATED SHELL
- CONNECTOR: USB 2.0 TYPE C MALE
 INSULATOR: BLACK PBT
 PIN G/F
 NICKEL PLATED SHELL
- PVC MOLDED: COLOR V398 45P BLACK
- ELECTRICAL TEST:
 <1>.100% OPEN SHORT & MISS WIRE TEST
 <2>.HI-POT: 50V AC/0.01 SEC 50V DC/0.01 SEC
 <3>.INSULATION RESISTANCE: 10M OHM (MIN)
 <4>.CONDUCTIVE RESISTANCE: 2 OHM (MAX)
 <5>.CAPACITANCE DETECTION: 20nF ± 20% BETWEEN A1 AND A4
- DATA TRANSFER RATE UP TO 480Mbps (NOMINAL)
- CURRENT RATING UP TO 3A (NOMINAL)
- VOLTAGE RATING UP TO 20V (NOMINAL)
- PACKING: 1PC/POLYBAG W/ LABEL



CONTROLLED

| Dim range (mm) | Tolerance +/- (mm) | Qualtek Electronics Corp. WCI DIVISION | | |
|----------------|--------------------|---|----------------|-----------------|
| | | Part Number: 3021091-01M | RoHS Compliant | |
| 0-1 | 0.15 | Description: USB 2.0(C)/M - USB 2.0 (C)/M | | |
| 1-6 | 0.20 | | | |
| 6-18 | 0.30 | | | |
| 18-50 | 0.50 | | | |
| 50-120 | 0.70 | UNIT: mm | | |
| 120-250 | 0.90 | Drawn / Date | Checked / Date | Approved / Date |
| 250-500 | 1.20 | R. Nuti 10-02-18 | 10-02-18 | LY / 10-02-18 |