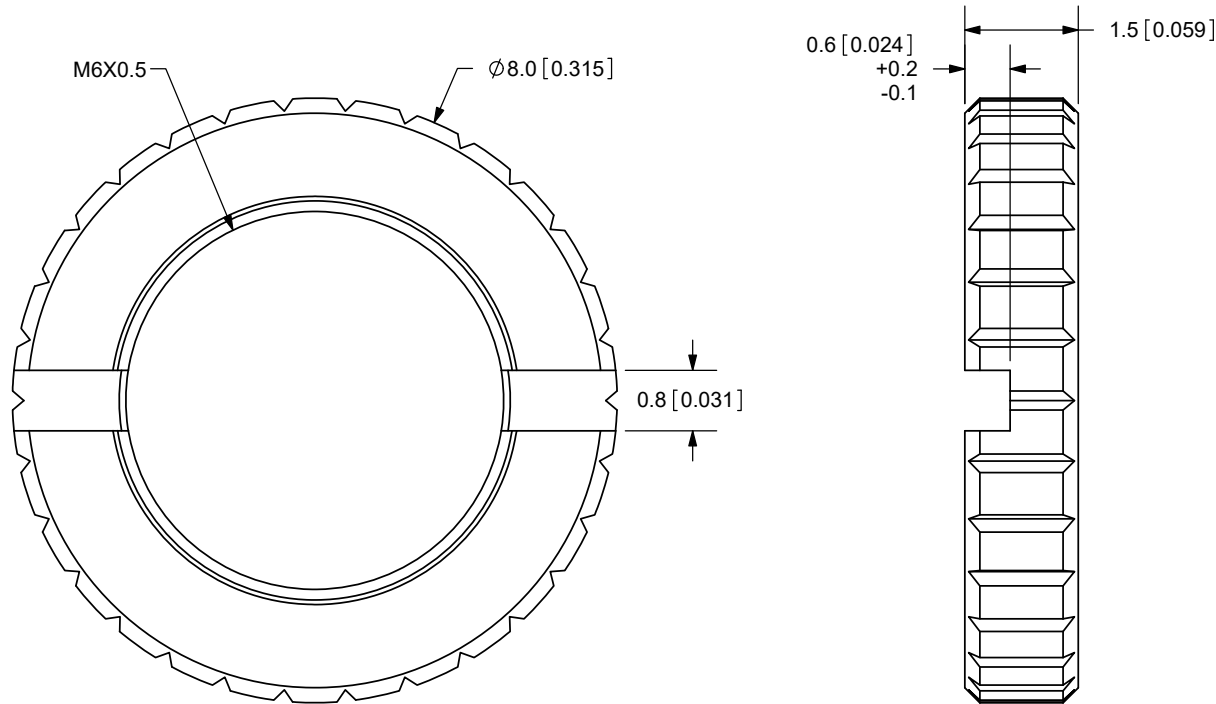


REV.	DESCRIPTION	DATE
A	NEW DRAWING	11/11/2009
B	LOGO, BRAND UPDATE	10/28/2022



TOLERANCE:  
±0.1mm UNLESS OTHERWISE  
SPECIFIED



  
**CUI DEVICES**  
 6405 SW Rosewood St, Suite C  
 Lake Oswego, OR 97035  
 Phone: 877-323-3576  
 Website: [www.cuidevices.com](http://www.cuidevices.com)

TITLE: M6X0.5 NUT		REV: B
PART NO. 3.5mm-nut-e	UNITS: MM [INCHES]	
DRAWN BY: RDS	APPROVED BY:	SCALE: 10:1

PC FILE NAME:  
3.5mm-nut-e

COPYRIGHT 2022 BY CUI DEVICES

	MATERIAL	PLATING	COLOR
NUT	Brass	Nickel	Silver