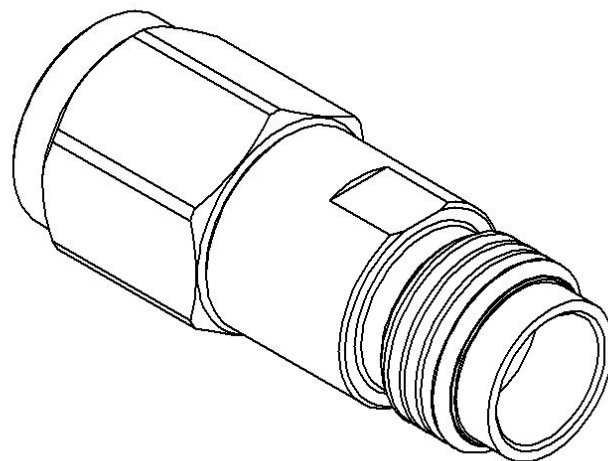
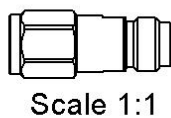
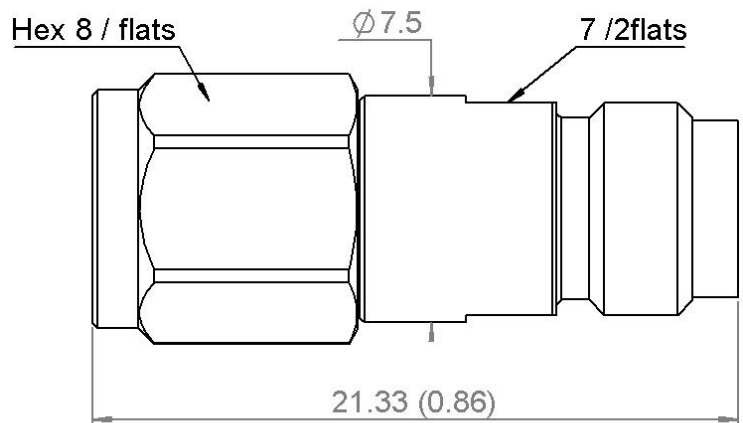
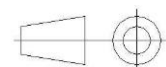


PAGE 1/2	ISSUE 17-10-22A	SERIES ATTENUATOR	PART NUMBER <b>R413V10000</b>
----------	--------------------	----------------------	-------------------------------



All dimensions are in mm. Tolerances according ISO 2768 c-K



COMPONENTS	MATERIALS	PLATING (µm)
Body	<b>STAINLESS STEEL</b>	<b>PASSIVATED</b>
Male center contact	<b>BERYLLIUM COPPER</b>	<b>GOLD OVER NICKEL</b>
Female center contact		<b>GOLD OVER NICKEL</b>
Outer contact	<b>STAINLESS STEEL</b>	
Insulator	<b>PEEK</b>	
Gasket		
Substrate	<b>ALUMINA CERAMIC</b>	
Resistor	<b>THIN FILM</b>	
Others parts		-

PAGE 2/2	ISSUE <b>17-10-22A</b>	SERIES <b>ATTENUATOR</b>	PART NUMBER <b>R413V10000</b>
----------	---------------------------	-----------------------------	-------------------------------

**ELECTRICAL CHARACTERISTICS**

Frequency (GHz)	<b>DC-26.5</b>	<b>26.5-40</b>	<b>40-50</b>	<b>50-67</b>
V.S.W.R (≤)	<b>1.3</b>	<b>1.5</b>	<b>1.65</b>	<b>1.75</b>
Deviation(±dB)	<b>0.4</b>	<b>0.7</b>	<b>0.7</b>	<b>1</b>

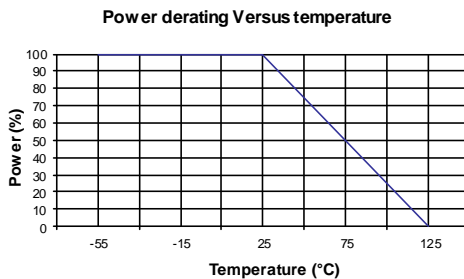
Operating Frequency Range	<b>DC-67GHZ</b>	GHz
Impedance	<b>50</b>	Ω
Nominal Attenuation	<b>10</b>	dB
Peak power at 25°C (1μs, 1%)	<b>50</b>	W
Average power at 25°C	<b>1</b>	W (Free Air Cooled)
		W (Conduction Cooled)

**MECHANICAL CHARACTERISTICS**

Connectors	<b>1.85MM</b>	<b>Male Female</b>	<b>MIL C39012</b>
Weight (±15%)	<b>10,000</b>	g	

**ENVIRONMENTAL CHARACTERISTICS**

Operating temperature range	<b>-55/+125</b> °C
Storage temperature range	<b>-55/+125</b> °C



**SPECIFICATION**

**OTHER CHARACTERISTICS**