

Bipolar Transistor

60 V, 3 A, Low $V_{CE(sat)}$, NPN Single
TP/TP-FA

2SC6097

Features

- Adoption of FBET, MBIT Process
- Low Collector-to-Emitter Saturation Voltage
- High Allowable Power Dissipation
- Large Current Capacity
- High-Speed Switching

Applications

- DC / DC Converter, Relay Drivers, Lamp Drivers, Motor Drivers, Inverter

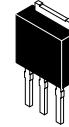
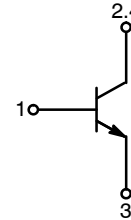
SPECIFICATIONS

ABSOLUTE MAXIMUM RATINGS at $T_a = 25^\circ\text{C}$

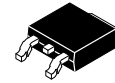
Parameter	Symbol	Conditions	Ratings	Unit
Collector to Base Voltage	V_{CBO}	-	100	V
Collector to Emitter Voltage	V_{CES}	-	100	V
Collector to Emitter Voltage	V_{CEO}	-	60	V
Emitter to Base Voltage	V_{EBO}	-	6.5	V
Collector Current	I_C	-	3	A
Collector Current (Pulse)	I_{CP}	-	5	A
Collector Current	I_B	-	600	mA
Collector Dissipation	P_C	-	0.8	W
		$T_C = 25^\circ\text{C}$	15	W
Junction Temperature	T_J	-	150	$^\circ\text{C}$
Storage Temperature	T_{stg}	-	- 55 to +150	$^\circ\text{C}$

Stresses exceeding those listed in the Maximum Ratings table may damage the device. If any of these limits are exceeded, device functionality should not be assumed, damage may occur and reliability may be affected.

ELECTRICAL CONNECTION

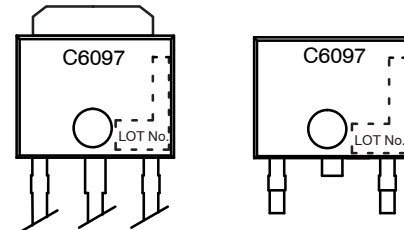


IPAK / TP
CASE 369AJ



DPAK / TP-FA
CASE 369AH

MARKING DIAGRAM



ORDERING INFORMATION

Device	Package	Shipping [†]
2SC6097-E	SC-64, TO-251	500 / Bulk Bag
2SC6097-TL-E	SC-63, TO-252	700 / Tape & Reel

[†]For information on tape and reel specifications, including part orientation and tape sizes, please refer to our Tape and Reel Packaging Specifications Brochure, [BRD8011/D](#).

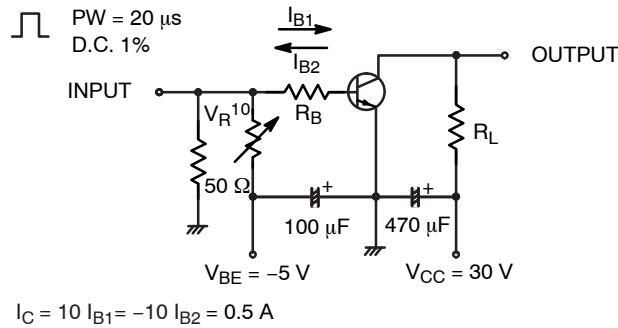
2SC6097

ELECTRICAL CHARACTERISTICS (at Ta = 25°C)

Parameter	Symbol	Conditions	Ratings			Unit
			Min	Typ	Max	
Collector Cutoff Current	I_{CBO}	$V_{CB} = 50 \text{ V}, I_E = 0 \text{ A}$	-	-	1	μA
Emitter Cutoff Current	I_{EBO}	$V_{EB} = 4 \text{ V}, I_C = 0 \text{ A}$	-	-	1	μA
DC Current Gain	h_{FE}	$V_{CE} = 2 \text{ V}, I_C = 100 \text{ mA}$	300	-	600	
Gain-Bandwidth Product	f_T	$V_{CE} = 10 \text{ V}, I_C = 500 \text{ mA}$	-	390	-	MHz
Output Capacitance	C_{ob}	$V_{CB} = 10 \text{ V}, f = 1 \text{ MHz}$	-	18	-	pF
Collector to Emitter Saturation Voltage	$V_{CE(sat)1}$	$I_C = 1 \text{ A}, I_B = 50 \text{ mA}$	-	100	150	mV
	$V_{CE(sat)2}$	$I_C = 1 \text{ A}, I_B = 100 \text{ mA}$	-	90	135	mV
Base to Emitter Saturation Voltage	$V_{BE(sat)}$	$I_C = 1 \text{ A}, I_B = 100 \text{ mA}$	-	0.84	1.2	V
Collector to Base Breakdown Voltage	$V_{(BR)CBO}$	$I_C = 10 \mu\text{A}, I_E = 0 \text{ A}$	100	-	-	V
Collector to Emitter Breakdown Voltage	$V_{(BR)CES}$	$I_C = 100 \mu\text{A}, R_{BE} = 0 \Omega$	100	-	-	V
Collector to Emitter Breakdown Voltage	$V_{(BR)CEO}$	$I_C = 1 \text{ mA}, R_{BE} = \infty$	60	-	-	V
Emitter to Base Breakdown Voltage	$V_{(BR)EBO}$	$I_E = 10 \mu\text{A}, I_C = 0 \text{ A}$	6.5	-	-	V
Turn-On Time	t_{on}	See specified Test Circuit	-	35	-	ns
Storage Time	t_{stg}		-	680	-	ns
Fall Time	t_f		-	24	-	ns

Product parametric performance is indicated in the Electrical Characteristics for the listed test conditions, unless otherwise noted. Product performance may not be indicated by the Electrical Characteristics if operated under different conditions.

Switching Time Test Circuit



TYPICAL CHARACTERISTICS

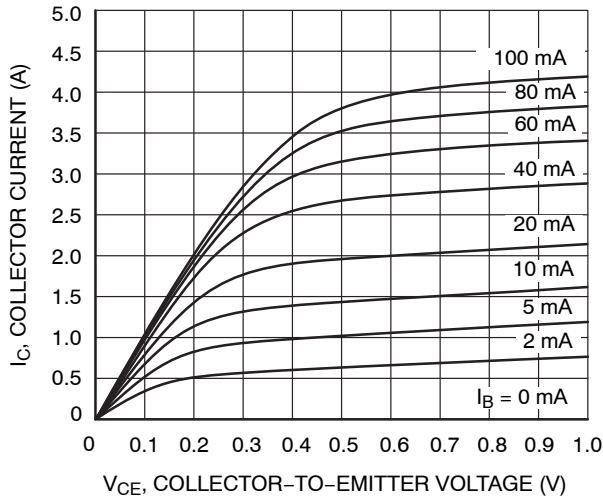


Figure 1. $I_C - V_{CE}$

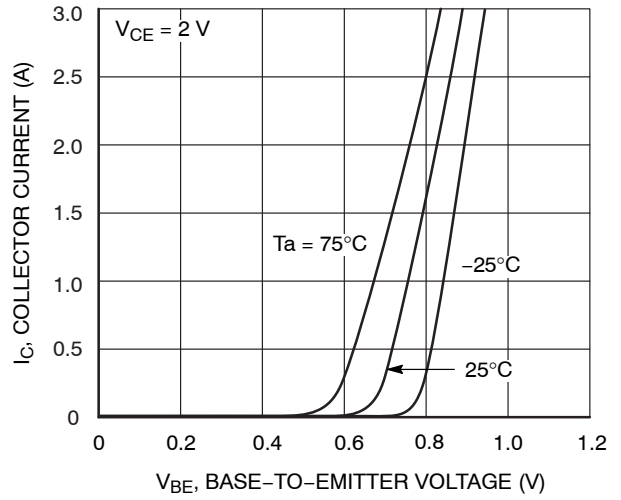


Figure 2. $I_C - V_{BE}$

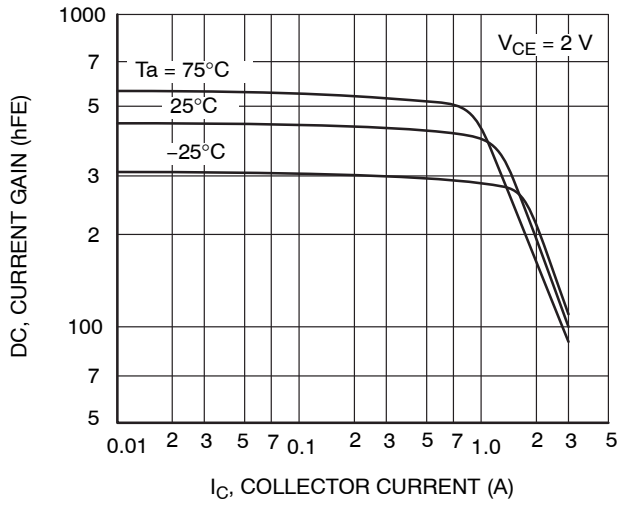


Figure 3. $H_{FE} - I_C$

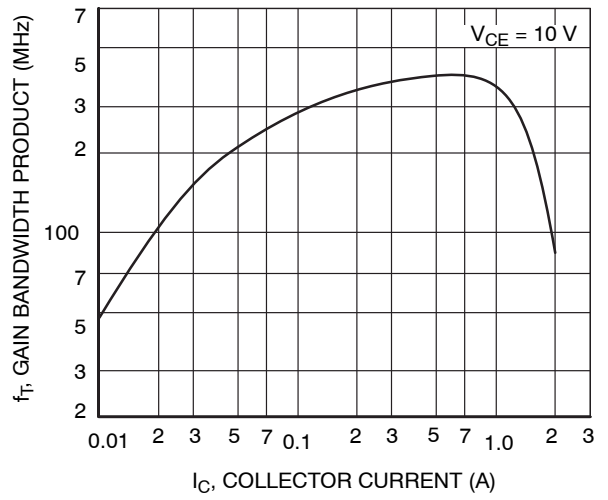


Figure 4. $f_T - I_C$

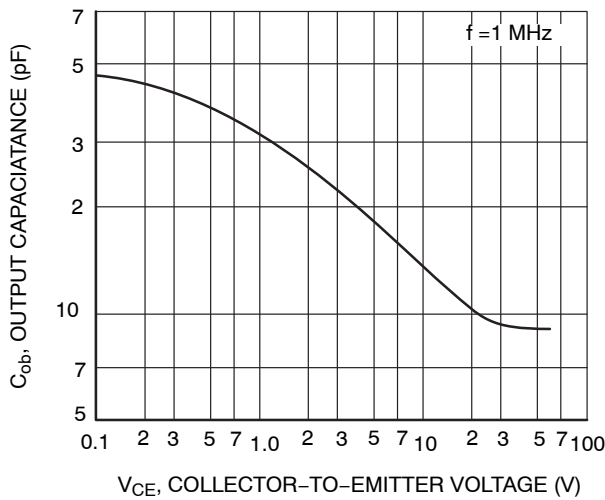


Figure 5. $C_{ob} - V_{CB}$

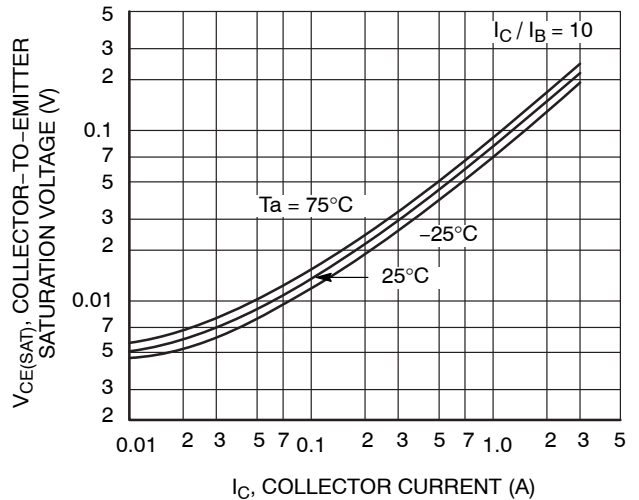


Figure 6. $V_{CE(sat)} - I_C$

TYPICAL CHARACTERISTICS (continued)

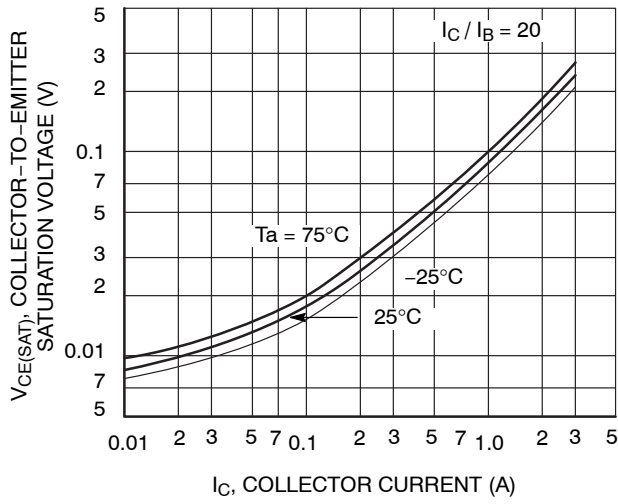


Figure 7. $V_{CE(sat)} - I_C$

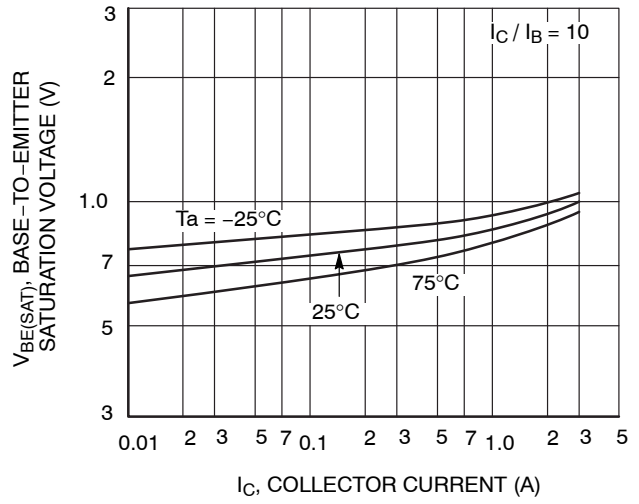


Figure 8. $V_{BE(sat)} - I_C$

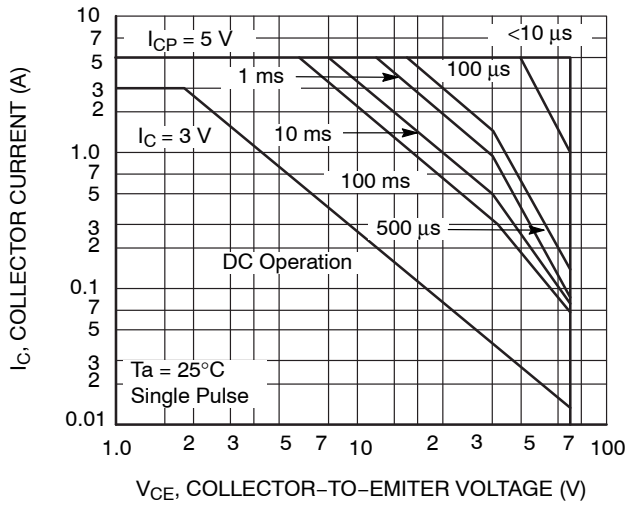


Figure 9. ASO

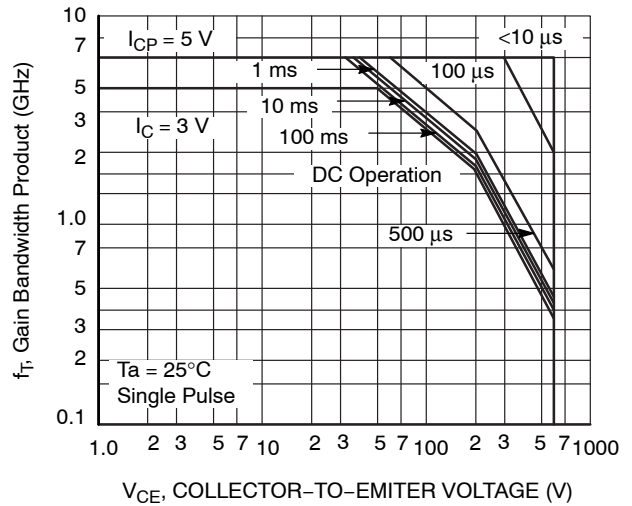


Figure 10. ASO

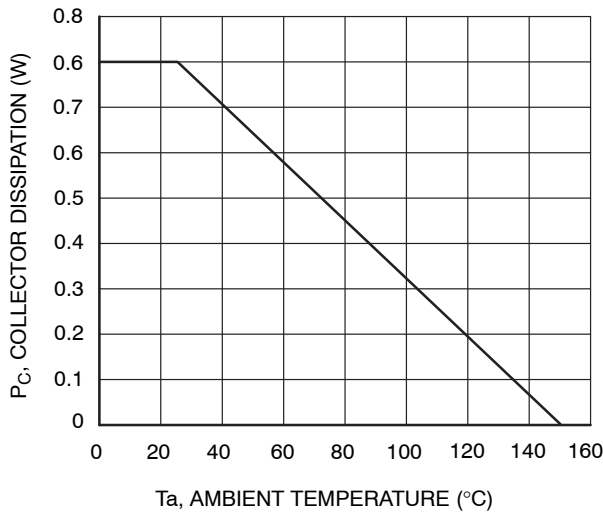


Figure 11. $P_C - T_a$

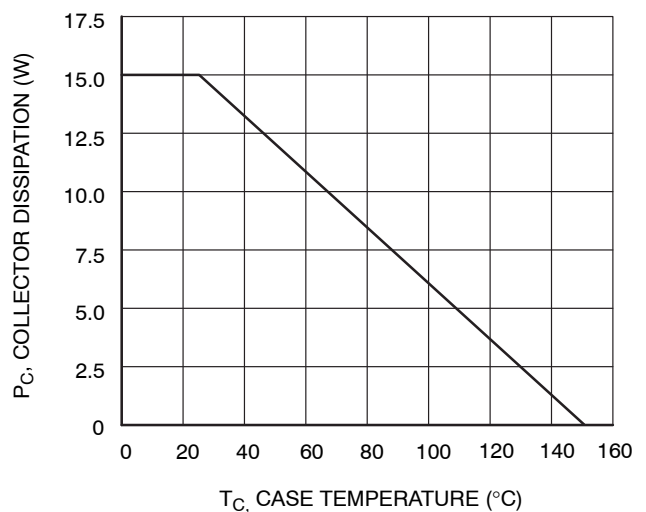


Figure 12. $P_C - T_C$

MECHANICAL CASE OUTLINE

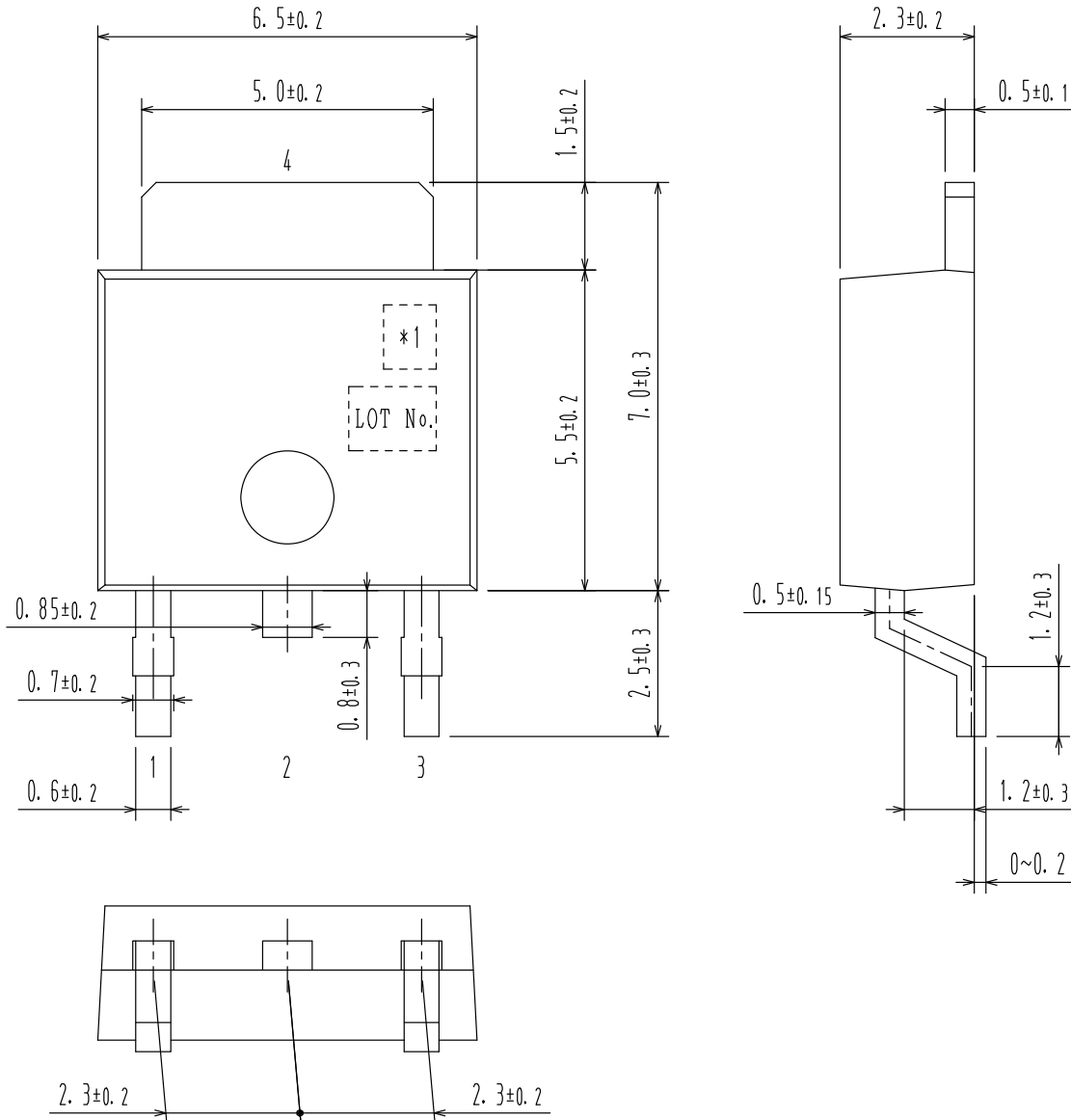
PACKAGE DIMENSIONS

ON Semiconductor®



DPAK / TP-FA
CASE 369AH
ISSUE O

DATE 30 JAN 2012



Pin 2 is idle pin with electrical designation only carried.

- 1:
- 2:
- 3:
- *1: Lot indication
- 4:

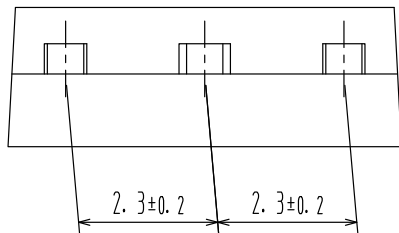
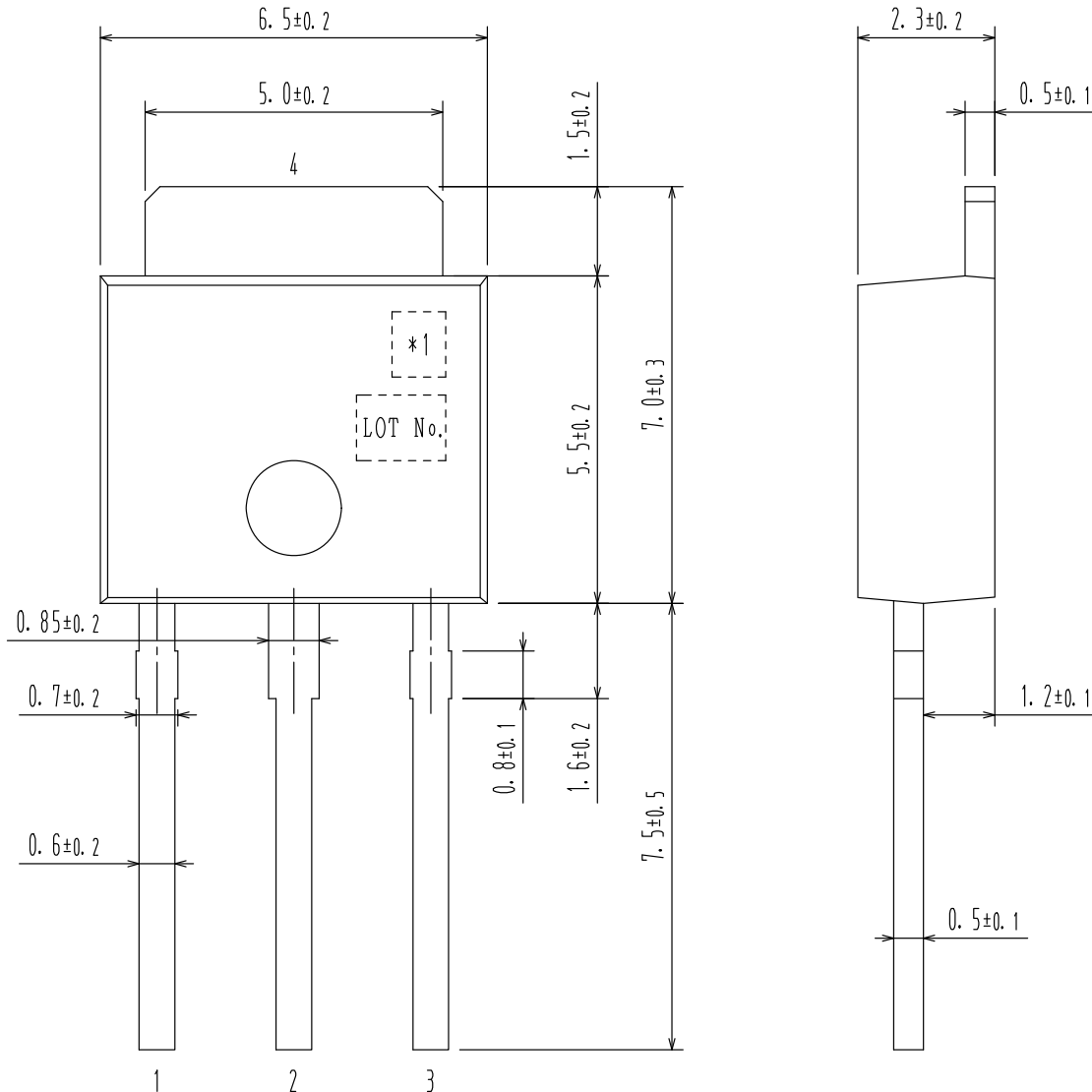
DOCUMENT NUMBER:	98AON66236E	Electronic versions are uncontrolled except when accessed directly from the Document Repository. Printed versions are uncontrolled except when stamped "CONTROLLED COPY" in red.
DESCRIPTION:	DPAK / TP-FA	PAGE 1 OF 1

ON Semiconductor and are trademarks of Semiconductor Components Industries, LLC dba ON Semiconductor or its subsidiaries in the United States and/or other countries. ON Semiconductor reserves the right to make changes without further notice to any products herein. ON Semiconductor makes no warranty, representation or guarantee regarding the suitability of its products for any particular purpose, nor does ON Semiconductor assume any liability arising out of the application or use of any product or circuit, and specifically disclaims any and all liability, including without limitation special, consequential or incidental damages. ON Semiconductor does not convey any license under its patent rights nor the rights of others.

MECHANICAL CASE OUTLINE
PACKAGE DIMENSIONS

IPAK / TP
CASE 369AJ
ISSUE O

DATE 30 JAN 2012



- 1:
- 2:
- 3:
- 4:

*1: Lot indication

DOCUMENT NUMBER:	98AON66237E	Electronic versions are uncontrolled except when accessed directly from the Document Repository. Printed versions are uncontrolled except when stamped "CONTROLLED COPY" in red.
DESCRIPTION:	IPAK / TP	PAGE 1 OF 1

ON Semiconductor and **ON** are trademarks of Semiconductor Components Industries, LLC dba ON Semiconductor or its subsidiaries in the United States and/or other countries. ON Semiconductor reserves the right to make changes without further notice to any products herein. ON Semiconductor makes no warranty, representation or guarantee regarding the suitability of its products for any particular purpose, nor does ON Semiconductor assume any liability arising out of the application or use of any product or circuit, and specifically disclaims any and all liability, including without limitation special, consequential or incidental damages. ON Semiconductor does not convey any license under its patent rights nor the rights of others.

onsemi, **Onsemi**, and other names, marks, and brands are registered and/or common law trademarks of Semiconductor Components Industries, LLC dba "**onsemi**" or its affiliates and/or subsidiaries in the United States and/or other countries. **onsemi** owns the rights to a number of patents, trademarks, copyrights, trade secrets, and other intellectual property. A listing of **onsemi**'s product/patent coverage may be accessed at www.onsemi.com/site/pdf/Patent-Marking.pdf. **onsemi** reserves the right to make changes at any time to any products or information herein, without notice. The information herein is provided "as-is" and **onsemi** makes no warranty, representation or guarantee regarding the accuracy of the information, product features, availability, functionality, or suitability of its products for any particular purpose, nor does **onsemi** assume any liability arising out of the application or use of any product or circuit, and specifically disclaims any and all liability, including without limitation special, consequential or incidental damages. Buyer is responsible for its products and applications using **onsemi** products, including compliance with all laws, regulations and safety requirements or standards, regardless of any support or applications information provided by **onsemi**. "Typical" parameters which may be provided in **onsemi** data sheets and/or specifications can and do vary in different applications and actual performance may vary over time. All operating parameters, including "Typicals" must be validated for each customer application by customer's technical experts. **onsemi** does not convey any license under any of its intellectual property rights nor the rights of others. **onsemi** products are not designed, intended, or authorized for use as a critical component in life support systems or any FDA Class 3 medical devices or medical devices with a same or similar classification in a foreign jurisdiction or any devices intended for implantation in the human body. Should Buyer purchase or use **onsemi** products for any such unintended or unauthorized application, Buyer shall indemnify and hold **onsemi** and its officers, employees, subsidiaries, affiliates, and distributors harmless against all claims, costs, damages, and expenses, and reasonable attorney fees arising out of, directly or indirectly, any claim of personal injury or death associated with such unintended or unauthorized use, even if such claim alleges that **onsemi** was negligent regarding the design or manufacture of the part. **onsemi** is an Equal Opportunity/Affirmative Action Employer. This literature is subject to all applicable copyright laws and is not for resale in any manner.

ADDITIONAL INFORMATION

TECHNICAL PUBLICATIONS:

Technical Library: www.onsemi.com/design/resources/technical-documentation
onsemi Website: www.onsemi.com

ONLINE SUPPORT: www.onsemi.com/support

For additional information, please contact your local Sales Representative at www.onsemi.com/support/sales