

XMLR025G1P25

Electronic pressure sensors, Pressure sensors XM, XMLR 25 bar, G 1/4, 24 VDC, 4...20 mA, PNP, M12



Main

| | |
|---|--|
| Range of Product | OsiSense XM |
| Product or Component Type | Electronic pressure sensors |
| Pressure sensor type | Pressure transmitter |
| Pressure switch type of operation | Pressure transmitter with 1 switching output |
| Device short name | XMLR |
| Pressure Rating | 362 Psi (2495.90 kPa) 362.59 psi (25 bar) |
| Maximum permissible accidental pressure | 1450 Psi (9997.40 kPa) 10 MPa 1450.38 psi (100 bar) |
| Destruction pressure | 10 MPa 1450.38 Psi (100 bar) 1450 psi (9997.40 kPa) |
| Controlled fluid | Fresh water 32...176 °F (0...80 °C) Air -4...176 °F (-20...80 °C) Hydraulic oil -4...176 °F (-20...80 °C) Refrigeration fluid -4...176 °F (-20...80 °C) |
| Fluid connection type | G 1/4 (female) DIN 3852-Y |
| [Us] rated supply voltage | 24 V DC SELV 17...33 V |

Complementary

| | |
|---|---|
| Current Consumption | <= 50 mA |
| Electrical connection | Male connector M12, 4 pins |
| Analogue output function | 4...20 mA |
| Type of output signal | Analogue + discrete |
| Analogue output function | 4...20 mA |
| Discrete output type | Solid state PNP, NO/NC programmable |
| Maximum switching current | 250 mA |
| Contacts type and composition | NO/NC programmable |
| Scale type | Fixed differential |
| Maximum voltage drop | 2 V |
| Adjustable range of switching point on rising pressure | 29.01...362.59 Psi (2...25 bar) 0.2...2.5 MPa 29...362 psi (199.95...2495.90 kPa) |
| Adjustable range of switching point on falling pressure | 18.1...352 Psi (124.80...2426.95 kPa) 18.13...350.99 Psi (1.25...24.2 bar) 0.125...2.42 MPa |
| Minimum differential travel | 10.88 Psi (75 kPa) 10.9 Psi (75.15 kPa) 10.88 psi (0.75 bar) |
| Materials in contact with fluid | Ceramic 316L stainless steel Fluorocarbon FKM (Viton) |
| Front material | Polyester |
| Housing material | 316L stainless steel Polyacrylamide |
| Operating position | Any position, but disposals can falsified the measurement in case of upside down mounting |

The information provided in this documentation contains general descriptions and/or technical characteristics of the performance of the products contained herein. This documentation is not intended as a substitute for and is not to be used for determining suitability or reliability of these products for specific user applications. It is the duty of any such user or integrator to perform the appropriate and complete risk analysis, evaluation and testing of the products with respect to the relevant specific application or use thereof. Neither Schneider Electric Industries SAS nor any of its affiliates or subsidiaries shall be responsible or liable for misuse of the information contained herein.

| | |
|--|--|
| Protection Type | Reverse polarity Overload protection Short-circuit protection Overvoltage protection |
| Response time on output | <= 10 ms analog output <= 5 ms discrete output |
| Switching output time delay | 0...50 s in steps of 1 second |
| Display Type | 4 digits 7 segments |
| Local signalling | For light ON when switch is actuated 1 LED (yellow) |
| Display response time type | Fast 50 ms Normal 200 ms Slow 600 ms |
| Maximum delay first up | 300 ms |
| Overall accuracy | <= 1 % of the measuring range |
| Linearity error on analogue output | <= 0.5 % of the measuring range |
| Hysteresis on analogue output | <= 0.2 % of the measuring range |
| Measurement accuracy on switching output | <= 0.6 % of the measuring range |
| Repeat accuracy | <= 0.2 % of the measuring range |
| Drift of the sensitivity | +/- 0.03 % of measuring range/°C |
| Drift of the zero point | +/- 0.1 % of measuring range/°C |
| Display Accuracy | <= 1 % of the measuring range |
| Mechanical durability | 10000000 cycles |
| Depth | 1.65 in (42 mm) |
| Height | 3.66 in (93 mm) |
| Width | 1.61 in (41 mm) |
| Net Weight | 0.42 lb(US) (0.19 kg) |
| [Uimp] rated impulse withstand voltage | 0.5 kV DC |
| Electromagnetic compatibility | Susceptibility to electromagnetic fields 10 V/m 80...2000 MHz EN/IEC 61000-4-3 Immunity to conducted RF disturbances 10 V 0.15...80 MHz EN/IEC 61000-4-6 Surge immunity test 1 kV EN/IEC 61000-4-5 Electrical fast transient/burst immunity test 2 kV EN/IEC 61000-4-4 Electrostatic discharge immunity test 8 kV air, 4 kV contact EN/IEC 61000-4-2 |

Environment

| | |
|---------------------------------------|--|
| Marking | CE |
| Product Certifications | CULus EAC |
| Standards | UL 61010-1 EN/IEC 61326-2-3 |
| Ambient Air Temperature for Operation | -4...176 °F (-20...80 °C) |
| Ambient Air Temperature for Storage | -40...176 °F (-40...80 °C) |
| IP degree of protection | IP65 conforming to EN/IEC 60529 IP67 conforming to EN/IEC 60529 |
| Vibration resistance | 20 gn 10...2000 Hz)EN/IEC 60068-2-6 |
| Shock resistance | 50 gn EN/IEC 60068-2-27 |

Ordering and shipping details

| | |
|-----------------------|---------------------------------------|
| Category | 21551-XMLE,XMLF,XMLG PRESSURE SENSORS |
| Discount Schedule | DS2 |
| GTIN | 3389119610926 |
| Nbr. of units in pkg. | 1 |
| Package weight(Lbs) | 6.70 oz (190.0 g) |
| Returnability | No |
| Country of origin | CH |

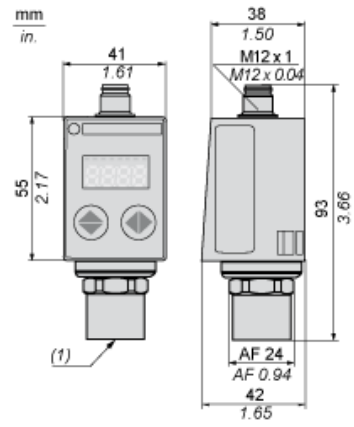
Packing Units

| | |
|------------------------------|------------------------|
| Unit Type of Package 1 | PCE |
| Package 1 Height | 2.99 in (7.6 cm) |
| Package 1 width | 5.04 in (12.8 cm) |
| Package 1 Length | 2.60 in (6.6 cm) |
| Unit Type of Package 2 | S02 |
| Number of Units in Package 2 | 20 |
| Package 2 Weight | 9.12 lb(US) (4.135 kg) |
| Package 2 Height | 5.91 in (15 cm) |
| Package 2 width | 11.81 in (30 cm) |
| Package 2 Length | 15.75 in (40 cm) |

Offer Sustainability

| | |
|----------------------------|---|
| California proposition 65 | WARNING: This product can expose you to chemicals including: Diisononyl phthalate (DINP), which is known to the State of California to cause cancer, and Di-isodecyl phthalate (DIDP), which is known to the State of California to cause birth defects or other reproductive harm. For more information go to www.P65Warnings.ca.gov |
| REACH Regulation | REACH Declaration |
| REACH free of SVHC | Yes |
| EU RoHS Directive | Pro-active compliance (Product out of EU RoHS legal scope) EU RoHS Declaration |
| Mercury free | Yes |
| RoHS exemption information | Yes |

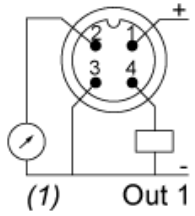
Dimensions



(1) Fluid entry: G 1/4 A female

Connections and Schema

Connector Wiring



(1) I Out or V Out

Analogue Output Description

Analogue Output Signal



X : Pressure

Y : Analogue output signal

(1) An offset of +/-5% of nominal pressure can be compensated (with Cof Configuration menu. Cof: Offset Compensation)

(2) The analogue curve can be adjusted from -25% to +25% of nominal pressure (with AEP Configuration menu. AEP: analogue end point).

Switching Output Description. Hysteresis Mode

The hysteresis switching mode is typically used for the "pumping and/or emptying applications".



X : Time

Y : Pressure

(1) Output

NP : Nominal Pressure

SP : Set point (adjustable from 8 % to 100 % NP)

rP : Reset point (adjustable from 5 % to 97 % NP)

Switching Output Description. Window Mode

The window switching mode is typically used for the "pressure regulation applications"



X : Time
 Y : Pressure
 (1) Output
 NP : Nominal pressure
 FH : High switching point (adjustable from 8 % to 100 % NP)
 FL : Low switching point (adjustable from 5 % to 97 % NP)

Switching Output Description. Time Delay

The Time Delay is typically used to filter out the fast pressure transients.
 The output only switches after a time "dS" and "dr" adjustable from 0 to 50 seconds.



X : Time
 Y : Pressure
 (1) Output
 SP : Set point
 rP : Reset point
 dS : Time delay on the set point
 dr : Time delay on the reset point