



TITLE

T1/E1 QUAD TRANSFORMER

PN

37531

REV

E

AGENCY APPROVAL: NA

SH

2

OF

12

CATALOG SHEET

SPECIFICATIONS

EXTENDED TEMP RANGE (-40C TO +85C)

1. INDUCTANCE: (PRI'S)

1.2mH MIN. @ 0.01v, 100kHz, (25C)

600µh MIN. @ 0.01V, 100kHz, (-40C TO +85C)

2. LEAKAGE INDUCTANCE: (PRI W/ SEC SHORTED)

.35µH MAX @ 1MHz

3. TURNS RATIO:

(PRI TO SEC)= 1 : 2CT ± 2%

4. INTERWINDING CAPACITANCE:(PRI TO SEC)

30 pf MAX @ 1MHz

5. DC RESISTANCE:

PRI =0.6 OHMS MAX

SEC=1.0OHMS MAX

6. DIELECTRIC STRENGTH: (PRI TO SEC)

1500 VAC FOR 60 SECONDS

7. RETURN LOSS: (WINDING WITH TURNS RATIO 2 IS 100 OHM REF.)

51KHz TO 102KHz 12dB MIN

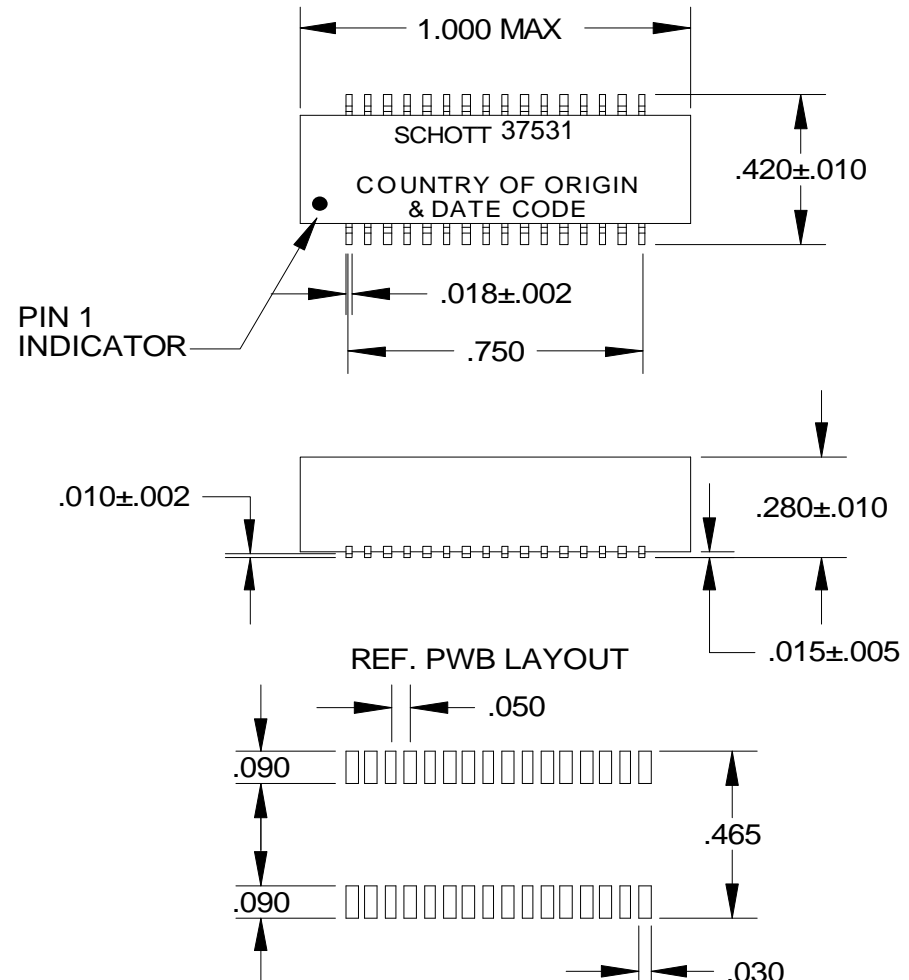
102KHz TO 2.048MHz 18dB MIN

2.048MHz TO 3.072 MHz 14dB MIN

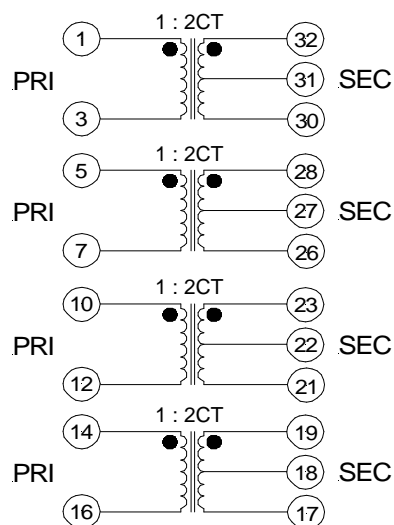
8. CROSS TALK: 65dB OR BETTER

9.COMMON MODE REJECTION RATIO: 50 dB OR BETTER @1MHZ

DIMENSIONAL OUTLINE



SCHEMATIC



TOLERANCES UNLESS OTHERWISE SPECIFIED

INCHES / DECIMAL	.XX = ± .01	.XXX = ±.005	ANGLES ± 1°
MILLIMETERS (mm)	.XX = ± 0.20		