

PART NAME: 5 STAR-KNOB SCALE: 1:1 DATE: 12/08/95 DR. BY RF



DESIGNERS & MANUFACTURERS OF KNOBS, HANDLES, CASES & CUSTOM PLASTIC COMPONENTS

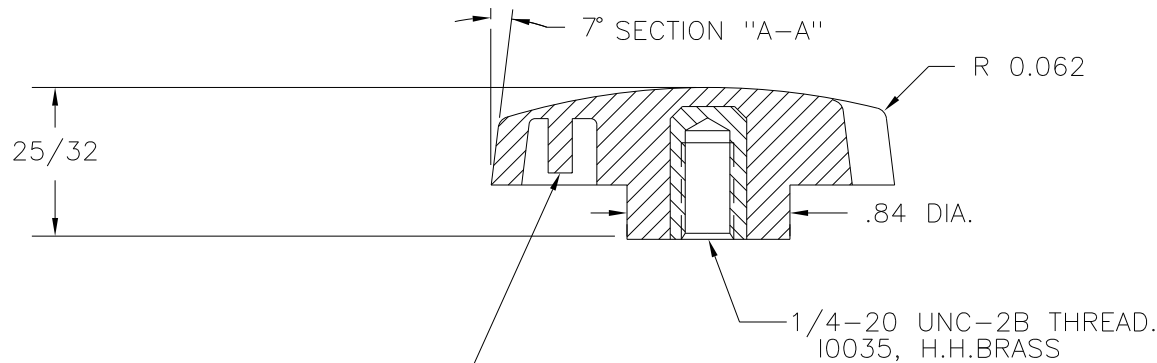
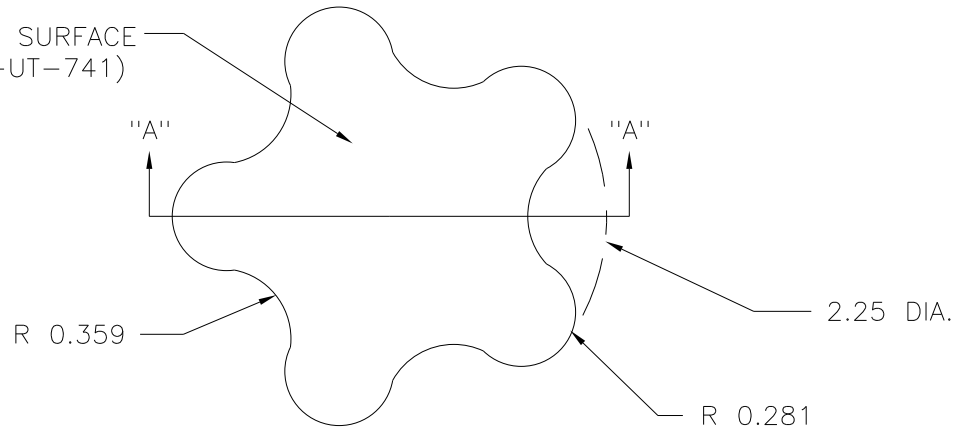
P/N 2980AC

M NO. # 9

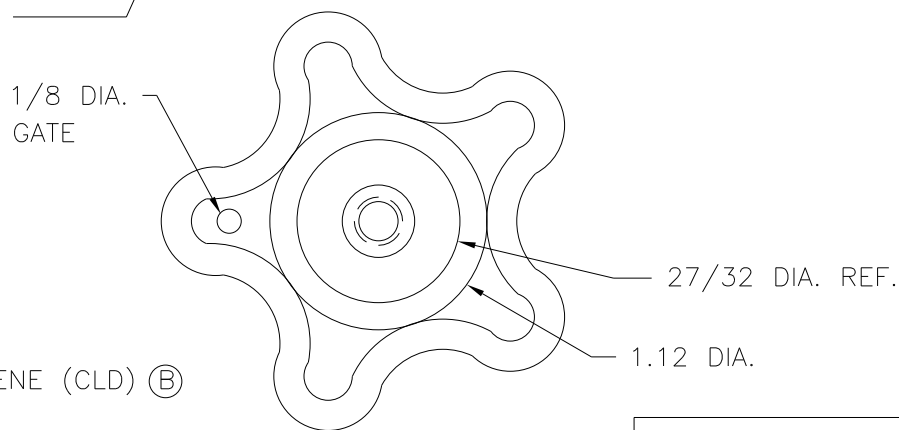
THIS DRAWING IS THE PROPERTY OF DAVIES MOLDING COMPANY, IS SUBMITTED SOLELY AS A DESIGN OR ENGINEERING PROJECT. WE ACCEPT NO RESPONSIBILITY WHATSOEVER FOR THE PRACTICAL APPLICATION OF THE PIECES MADE TO THIS DESIGN.

CAV.	2980
CAV. PLUG	2980
CORE	2980
SLEEVE	2980
PIN	2980-AC
INSERT	10035

TEXTURED TOP SURFACE ONLY (UNITEX-UT-741)



NOTE : GATE TO BE TRIMMED FLUSH OR BELOW THIS SURFACE.



MATERIAL: POLYPROPYLENE (CLD) (B)
COLOR: BLACK

TOLERANCES: UNLESS OTHERWISE SPECIFIED	DO NOT SCALE DRAWING				
DECIMALS: X.XXX ± .005 X.XX ± .015	MM: X.XX ± 0.15MM X.X ± 0.4MM	B	ADDED MAT. CODE	DS	1/26/07
FRACTIONS ± 1/64	ANG. ± 1°	A	WAS 10528 FM. 5/16-18 THREAD.	HD	10/18/96
CHANGES					