

PART NAME: KNOB SCALE: 1:1 DATE: 8/2/94 DR. BY HD

THIS DRAWING IS THE PROPERTY OF DAVIES MOLDING COMPANY, IS SUBMITTED SOLELY AS A DESIGN OR ENGINEERING PROJECT. WE ACCEPT NO RESPONSIBILITY WHATSOEVER FOR THE PRACTICAL APPLICATION OF THE PIECES MADE TO THIS DESIGN.

DAVIES MOLDING DESIGNERS & MANUFACTURERS OF KNOBS, HANDLES, CASES & CUSTOM PLASTIC COMPONENTS

P/N 2965MG

M NO. 2965

CAVITY 2965

PLUNGER 2965

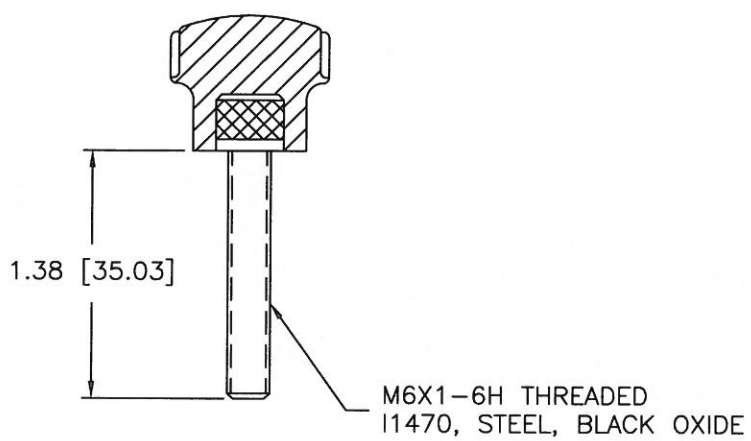
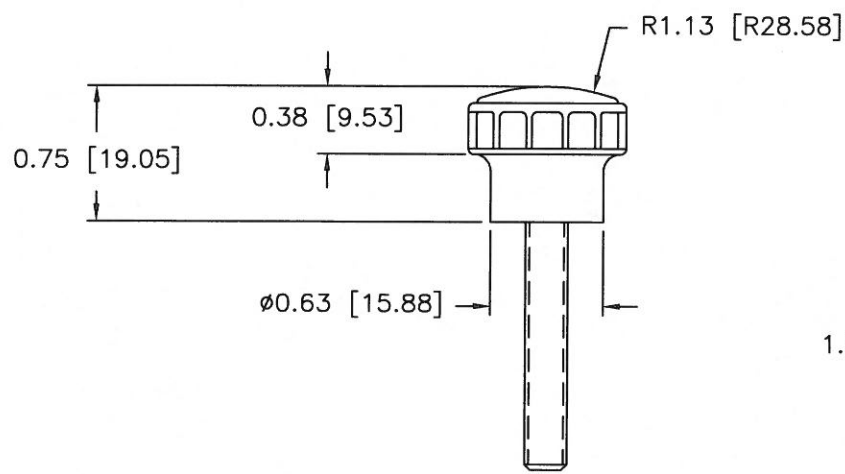
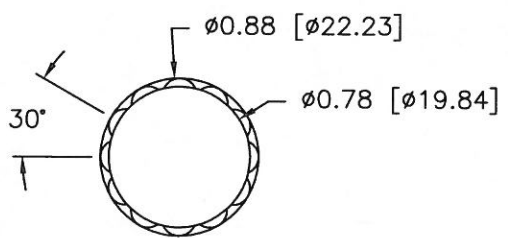
CHASE 2965

PIN BAR 2965-DX

SHIM # 8

INSERT 11470

CUSTOMER: FORD NEW HOLLAND INC.
CUST'S P/N: 86506579



(A)
MATERIAL: 04311 PHENOLIC (B41)
COLOR: BLACK

TOLERANCES: UNLESS OTHERWISE SPECIFIED	DO NOT SCALE DRAWING	A	WAS #2511 PHENOLIC (B11)	JAM	7/2/08
DECIMALS: X.XXX ± .005 X.XX ± .015	MM: X.XX ± 0.15MM X.X ± 0.4MM	-	RE-DID REDRAW	TL	8/23/99
FRACTIONS ± 1/64	ANG. ± 1°	-	CAD REDRAW	HD	5/2/96
CHANGES					