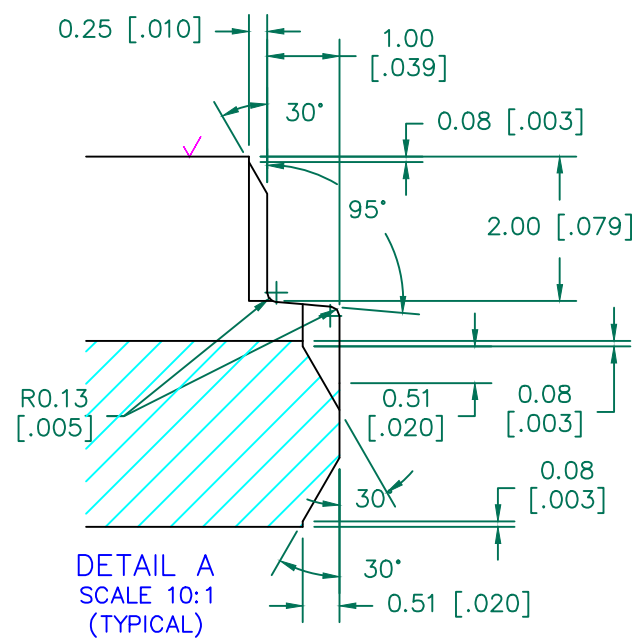
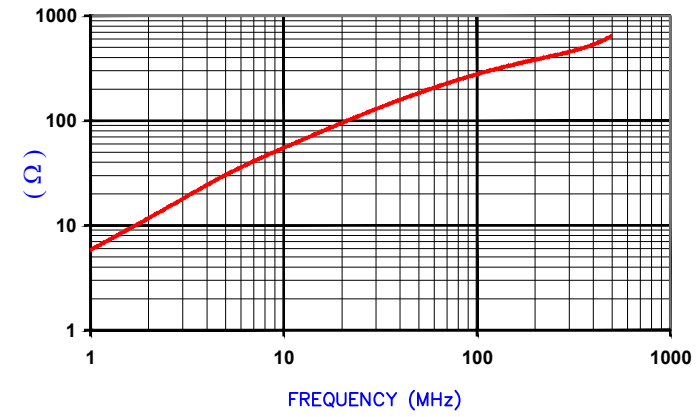


SECTION A-A



IMPEDANCE (Z) SEE NOTES:3			
Frequency	25 MHz	100 MHz	300 MHz
Nominal (REF)	111 Ω	277 Ω	449 Ω
Minimum	- Ω	222 Ω	- Ω

Z vs. FREQUENCY (REF. ONLY)



AGILENT E4991A Impedance/Material Analyzer
HP 16092A-Test Fixture. TEST REF. 4360

NOTES: UNLESS OTHERWISE SPECIFIED

- FOR VISUAL REQUIREMENTS REFERENCE CNZ-QAS6402.
- IMPEDANCE IS TO BE REPORTED AS GROSS IMPEDANCE. REFERENCE CQA-SOP1391.
- USE TWO PCS CORES COMPARED TOGETHER FOR IMPEDANCE TESTING.

FERRITE CORE DIMENSIONS (SPEC): mm [in]

A	11.00 [.433]	+ 0.15 [.006]
B	5.10 [.201]	+ 0.07 [.003]
C	32.00 [1.260]	+ 0.48 [.019]
D	5.12 [.202]	+ 0.13 [.005]
E	2.55 [.100]	+ 0.25 [.010]
F	4.00 [.157]	+ TYP.

WEIGHT/1000 5.59 kgs [12.32 Lbs]

SCALE DRAWING 1:1

28A0434-000

CRITICAL

DIMENSIONS ARE IN mm [INCHES].				This print is the property of Laird Tech. and is loaned in confidence subject to return upon request and with the understanding that no copies shall be made without the written consent of Laird Tech. All rights to design or invention are reserved.				
REV	DESCRIPTION	DATE	INT					
K	CHANGE CHAMFER FROM 45° TO 30°	06/23/15	QIU	PROJECT/PART NUMBER: 28A0434-000		REV K	PART TYPE: FERRITE CORE	DRAWN BY: TMB
J	ADD NOTES 3	02/21/13	QIU	DATE: 02/10/04		SCALE: 2:1	MATERIAL: Ferrite	
H	UPDATE COMPANY LOGO	08/11/09	JRK	CAD # 28A0434-000-K		TOOL # A0434		
G	UPDATE 100MHz MINIMUM VALUE	07/03/07	TMB					
F	UPDATE COMPANY LOGO	04/17/07	TMB					
E	ADD NOTES & COMBINE DETAILS A & B	04/20/06	TMB					
D	ADD Z vs FREQUENCY CURVE & Z SPECS	10/12/04	TMB					