

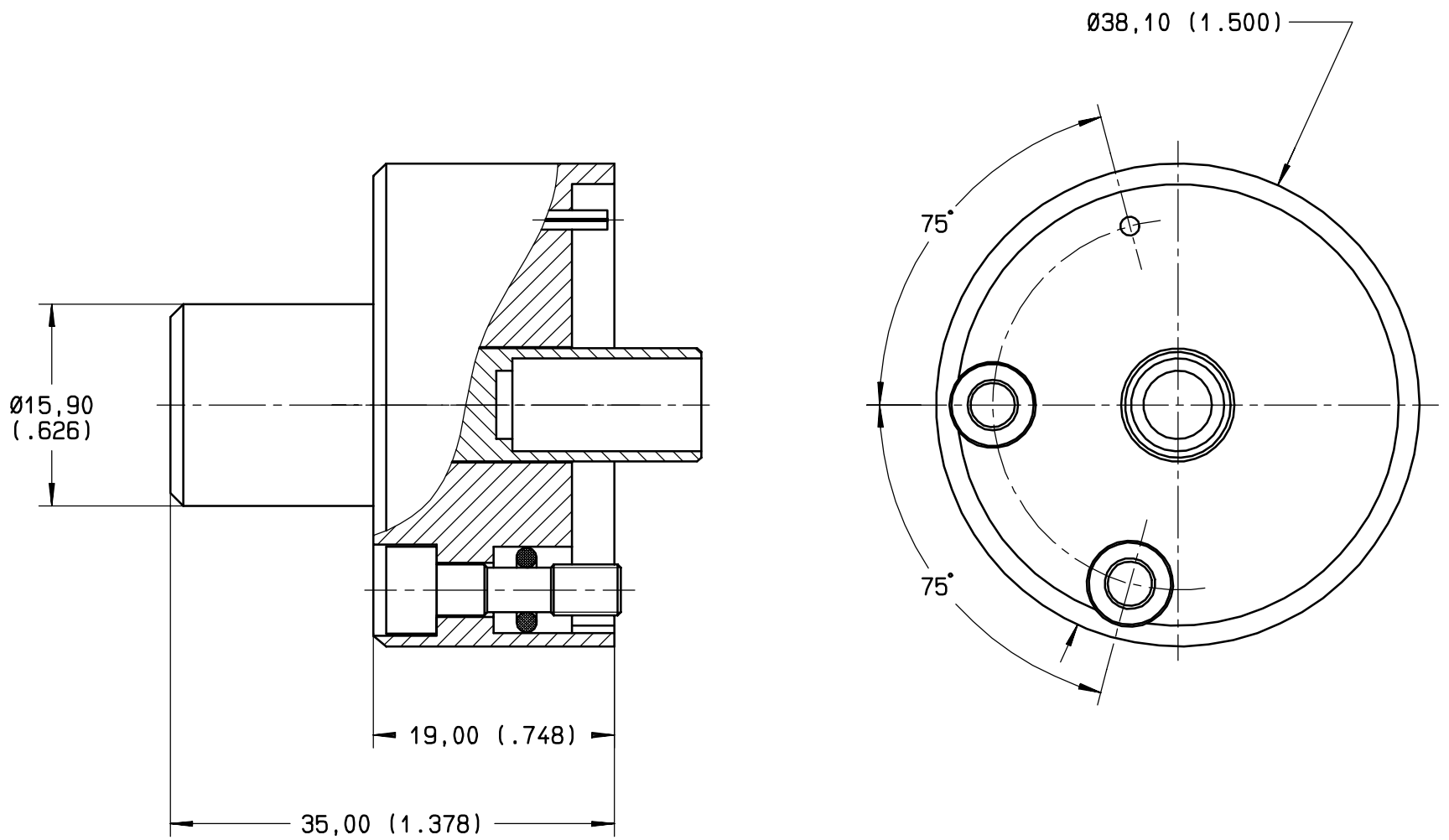


Series
282

Single position head
for crimping of
Size 5 EPX contacts with reduced barrel.

Issue:
Sept. 18, 2003

Page
1 / 1



Crimping tool: 282 613.

Selector setting:

- . For AWG 12 cable: 6.
- . For AWG 16 cable: 4.

This information is given as an indication. In the continual goal to improve our products, we reserve the right to make any modifications judged necessary.

4112-9610

CREATION				
PEN: M000105325B				
NOM: L.Garcia				
DATE: Sept. 18, 03				
APPR.: C.Lahoreau				
Issue	Revisions	Name	Approved	

RADIALL[®]