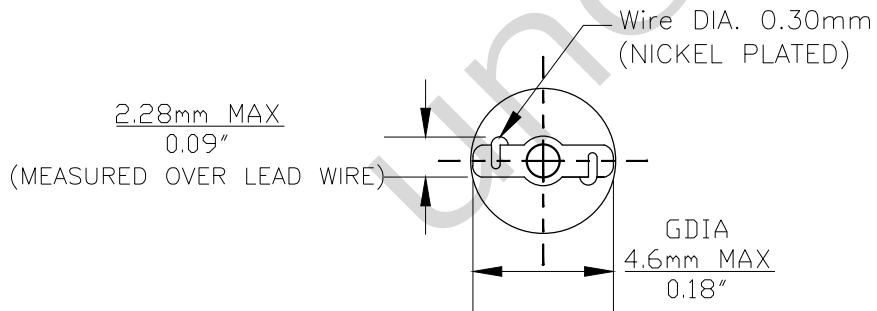
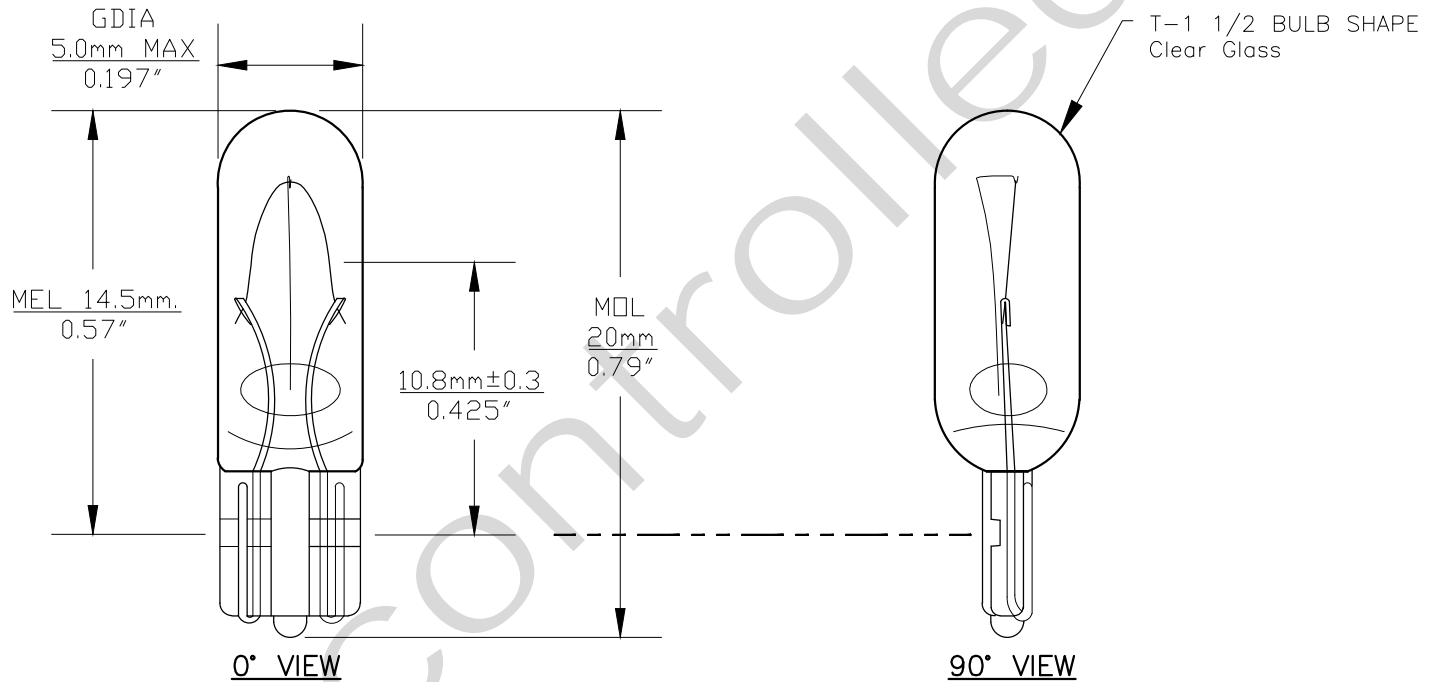




PART NO.	BASE TYPE	DESIGN VOLTS	DESIGN AMPS	MSCD	FILAMENT TYPE	AVERAGE LIFE HOURS	REVISIONS			
							REV #	DESCRIPTION	DATE	APPROVED
2741	Sub-Miniature Wedge W2.1X4.6d	24V	0.053±10%	0.59±25%	C-2V	1000	1	ISSUED	11/07/2012	D.C.
							2	REVISED AMPS	01/22/2020	R.M.

TEST VOLTAGE: 28V



Note: Made according to SAE specifications



UNLESS OTHERWISE SPECIFIED: DIMENSIONS ARE IN INCHES TOLERANCES		CEC INDUSTRIES LTD			
DECIMALS	ANGULAR	599 BOND STREET		LINCOLNSHIRE, IL 60069	
.XX ± .05	± 0.5°				
.XXX ± .010					
FRACTIONAL	± 1/64				
DRAWN	DATE	TITLE			
D.C.	11/07/2012	LIGHT BULB NO. 2741			
CHECKED		SIZE	FSCM NO.	DWG NO.	REV
		A		2741	2
DESIGN		SCALE	PLOT SCALE	SHEET	
				1 OF 1	
MATERIAL		FILE	DRAWING NOT TO SCALE		
		2741.pdf			