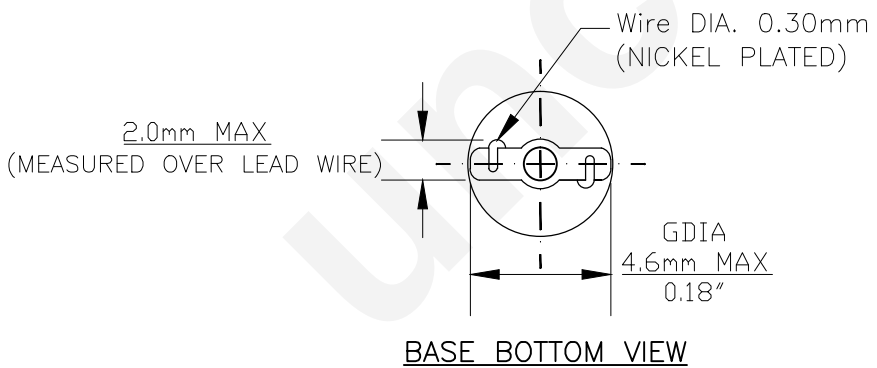
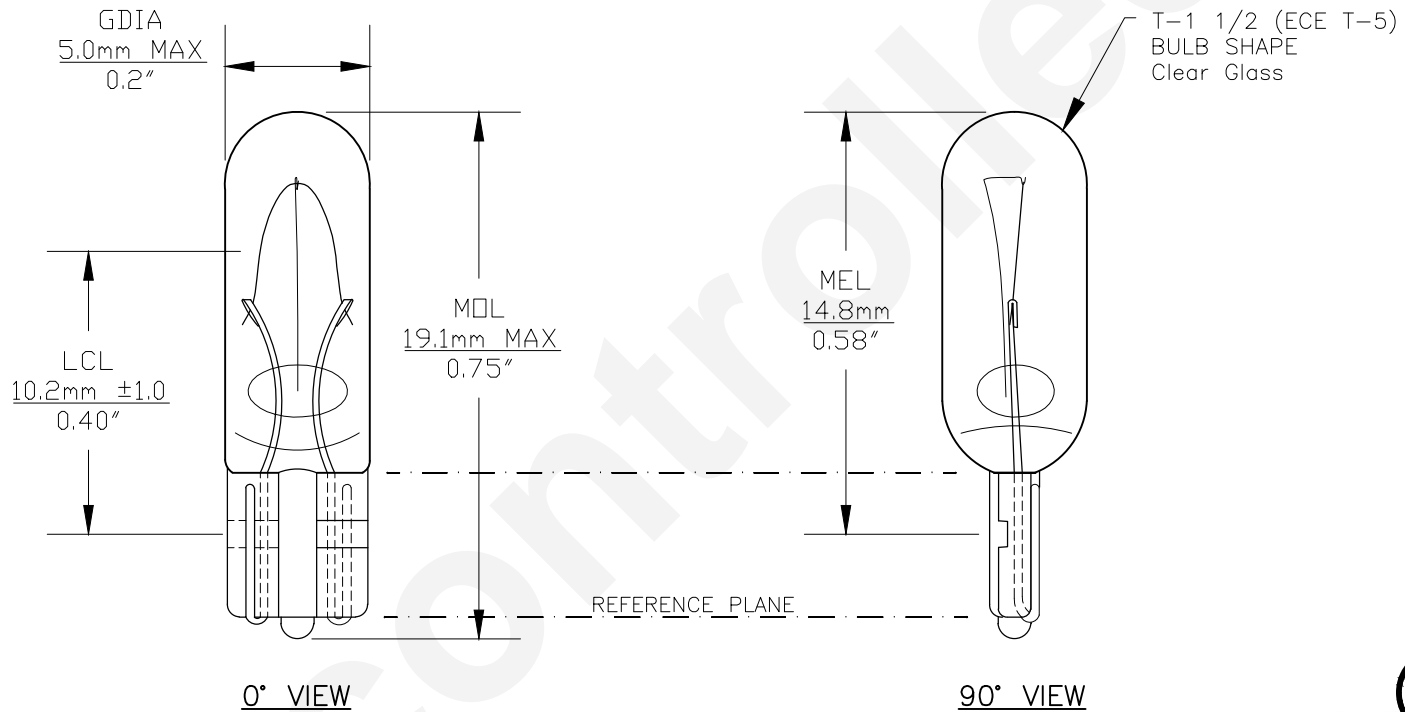




PART NO.	BASE TYPE	DESIGN VOLTS	DESIGN AMPS	MSCD	FILAMENT TYPE	AVERAGE LIFE HOURS	REVISIONS			
							REV #	DESCRIPTION	DATE	APPROVED
2723	Glass Wedge W2X4.6d (T-1 1/2)	12.0V	0.19±15%	1.48±30%	C-2V	300	1	ISSUED	12/05/2005	D.C.
							2	TEST VOLTAGE, LCL	03/29/2013	D.C.
							3	REDRAWN TO ADD VIEWS	08/28/2014	R.M.



Note: Made according to ECE/R37 specifications

UNLESS OTHERWISE SPECIFIED: DIMENSIONS ARE IN INCHES TOLERANCES		CEC INDUSTRIES LTD	
DECIMALS	ANGULAR	599 BOND STREET LINCOLNSHIRE, IL 60069	
.XX ± .05	± 0.5°		
.XXX ± .010			
FRACTIONAL	± 1/64		
DRAWN	DATE	TITLE	
D.C.	12/05/2005	LIGHT BULB NO. 2723 (W2.3W)	
CHECKED		SIZE	REV
		A	3
DESIGN		FSCM NO.	DWG NO.
			2723
MATERIAL		SCALE	SHEET
			1 OF 1
		FILE	DRAWING NOT TO SCALE
		2723.pdf	