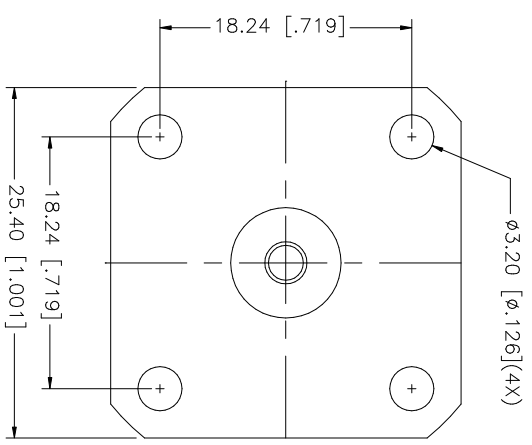
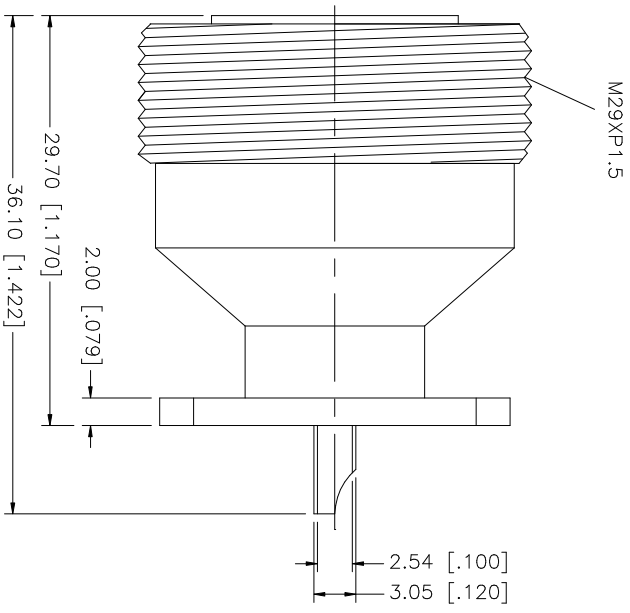


REV.	DATE	DESCRIPTION
NC	10/05/99	INITIAL RELEASE
A	07/29/06	UPDATE DRAWING FORMAT



NO.	DESCRIPTION	MATERIAL	FINISH	QTY	UNLESS OTHERWISE SPECIFIED DIMENSIONS ARE IN MILLIMETERS. DIMENSIONS IN [] ARE IN INCHES AND FOR CUSTOMER REFERENCE ONLY.	APPROVALS	DATE	PART DESCRIPTION	DWG. NO.	REV.	SIZE	SCALE		
8					UNLESS OTHERWISE SPECIFIED DIMENSIONS ARE IN MILLIMETERS. DIMENSIONS IN [] ARE IN INCHES AND FOR CUSTOMER REFERENCE ONLY. UNLESS OTHERWISE SPECIFIED TOLERANCES FOR MILLIMETERS ARE: 0.5 - 8mm ± 0.20mm 8 - 30mm ± 0.40mm 30 - 120mm ± 0.50mm UNLESS OTHERWISE SPECIFIED TOLERANCES FOR INCHES ARE: .020 - .315 = ± 0.007" .315 - 1.180 = ± 0.015" 1.180 - 4.724 = ± 0.020" DO NOT SCALE DRAWING					Amphenol Connex 7/16 PANEL RECEPTACLE JACK	272173.DWG	A	A	NA
7														
6	COVER	P.E.	BLUE	1										
5	NUT	BRASS	NEXCOTE	1										
4	CONTACT PIN	BER. COPPER	SILVER	1										
3	INSULATOR	TEFLON	NATURAL	1										
2	BODY	BRASS	NEXCOTE	1										
1	DESCRIPTION													

CAD FILE	ISSUED	CHECKED	DRAWN
C:/272/272173.DWG	1 OF 1	G.R.S.	07/29/06