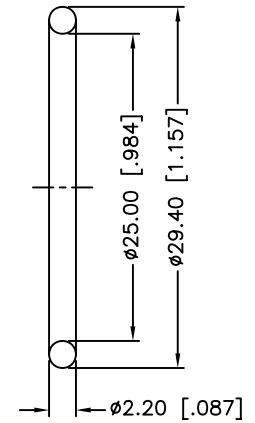
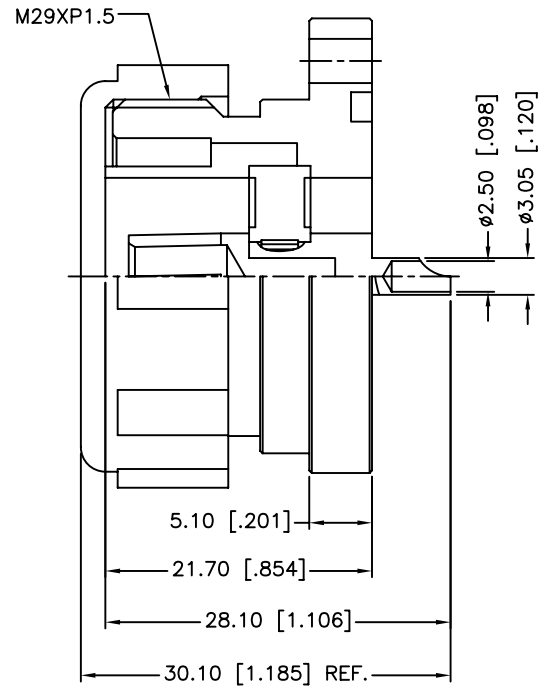
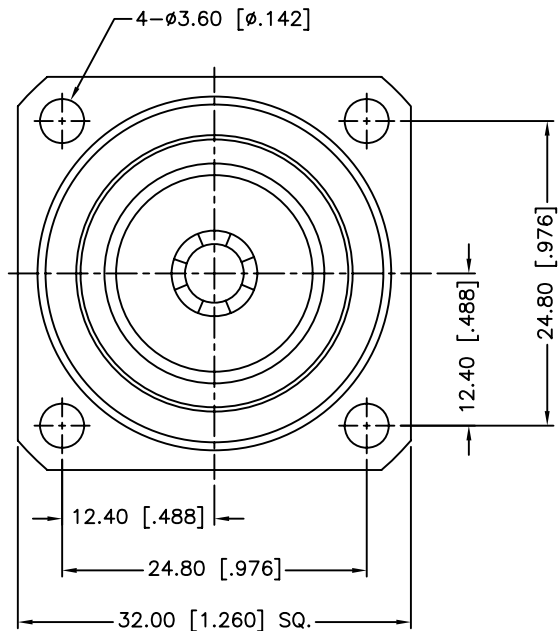


REV.	DATE	ECR NO.	DESCRIPTION
NC	08/05/00	XXXXXX	INITIAL RELEASE
A	09/25/13	2532	CORRECT CENTER CONTACT PLATING,ADD ELECTRICAL/MECHANICAL NOTES, UPDATE FORMAT



1. IMPEDANCE: 50 OHM
2. FREQUENCY RANGE: 0-7.5 GHZ
3. DIELECTRIC WITHSTANDING VOLTAGE: 2300 VRMS, MIN.
4. DURABILITY: 500 CYCLES MIN.
5. TEMPERATURE RANGE: -65°C TO +165°C

QTY	DESCRIPTION	MATERIAL	FINISH	QTY
7	GASKET	N. B. R.	BLACK	1
6	COVER	PE	BLUE	1
5	OUT CONTACT	BRASS	NEXCOTE	1
4	CONTACT PIN	BRASS	SILVER	1
3	CONTACT PIN	BER. COPPER	SILVER	1
2	INSULATOR	PTFE	NATURAL	1
1	BODY	BRASS	NEXCOTE	1

UNLESS OTHERWISE SPECIFIED DIMENSIONS ARE IN MILLIMETERS. DIMENSIONS IN [ ] ARE IN INCHES AND FOR CUSTOMER REFERENCE ONLY. UNLESS OTHERWISE SPECIFIED		APPROVALS	DATE
TOLERANCES FOR MILLIMETERS ARE: <0.5 ± 0.05mm 0.5 - 6mm ± 0.10mm 6 - 30mm ± 0.20mm 30 - 120mm ± 0.30mm ANGLES ± 1°		DRAWN M.ZHANG	09/25/13
UNLESS OTHERWISE SPECIFIED TOLERANCES FOR INCHES ARE: <.020 ± 0.002" .020 - .236 ± 0.004" .236 - 1.180 ± 0.007" 1.180 - 4.724 ± 0.012" ANGLES ± 1°		CHECKED	
DO NOT SCALE DRAWING		ISSUED	
		SHEET 1 OF 1	
		CAD FILE C:/CONNEX/272130-10.DWG	

Amphenol Connex			
PART DESCRIPTION 7/16 PANEL RECEPTACLE JACK (O-RING SEAL)			
PART NO. 272130-10			
DWG. NO.	272130-10.DWG	REV. A	SCALE NA