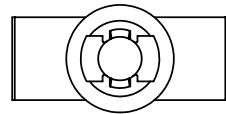
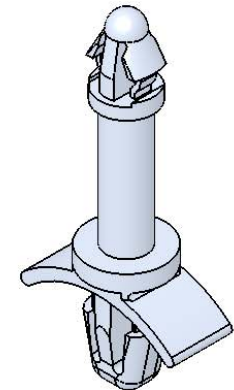
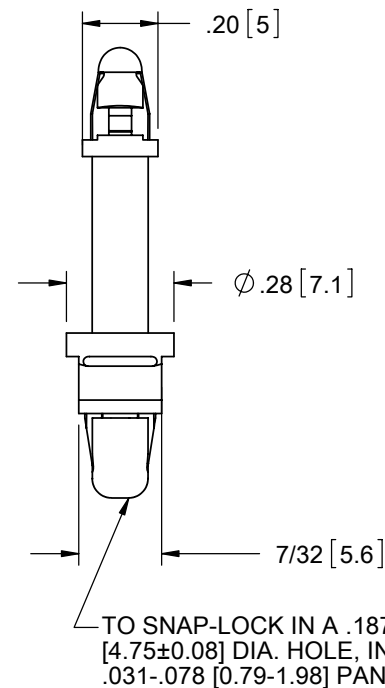
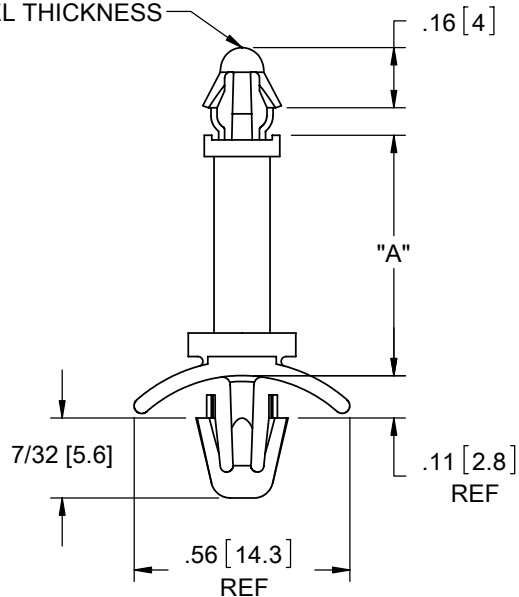


AVAILABLE BY SPECIAL ORDER- NAFTA REGION ONLY



TO SNAP-LOCK IN A $.157 \pm .003$
 $[4 \pm 0.08]$ DIA. HOLE, IN A
 $.063 [1.6]$ PANEL THICKNESS



| MATERIAL: NYLON 6/6 UL 94 V-2 (RMS-01) PART NO. | DIM. "A" ± .015 [0.4] |
|---|--------------------------|
| LCBS-7-3-01 | 3/16 [4.8] |
| LCBS-7-4-01 | 1/4 [6.4] |
| LCBS-7-5-01 | 5/16 [7.9] |
| LCBS-7-6-01 | 3/8 [9.5] |
| LCBS-7-7-01 | 7/16 [11.1] |
| LCBS-7-8-01 | 1/2 [12.7] |
| LCBS-7-10-01 | 5/8 [15.9] |
| LCBS-7-12-01 | 3/4 [19.1] |
| LCBS-7-14-01 | 7/8 [22.2] |
| LCBS-7-16-01 | 1 [25.4] |
| LCBS-7-18-01 | 1-1/8 [28.6] |
| LCBS-7-20-01 | 1-1/4 [31.7] |
| LCBS-7-22-01 | 1-3/8 [34.9] |

NOTES:

1. MATERIAL: NYLON 6/6 UL 94 V-0 (RMS-19), AVAILABLE BY SPECIAL ORDER. TO ORDER REPLACE "-01" WITH "-19".
2. COLOR: NATURAL.
3. ALTERNATE UNITS FOR REFERENCE ONLY.

| | | | | | | | |
|--|----------------|---------------|--------------------------------------|----------|-----------|----------------|------------|
| TITLE: LOCKING CIRCUIT BOARD SUPPORT | | | | | | DWG IN IN [MM] | |
| CREATED USING SOLIDWORKS | FILE #: LCBS-7 | DWN: SK | APP: RT | FINAL | | | |
| TOLERANCES UNLESS NOTED XX=±.010 .XXX=±.005 FRAC.=±1/64 ANG.=±1° | SHEET: 1 OF 1 | SHEET SIZE: A | DT: 08/25/06 | CHKD: SJ | PART # | | PRINT TYPE |
| RE: RICHCO, INC. | RICHCO, INC. | | ENG@RICHCO-INC.COM (773) 539-4060 | | SEE TABLE | | CA |

| REV. | DESCRIPTION | ENGR. | DATE |
|------|------------------------------------|-------|----------|
| C | REDRAWN, SEE ECN #1208 FOR CHANGES | SK | 11/29/06 |
| B | SEE ECN #862 FOR CHANGES | SM | 10/04/04 |
| A | UPDATED PRINT AND CHANGED FILE NO. | SM | 09/28/01 |