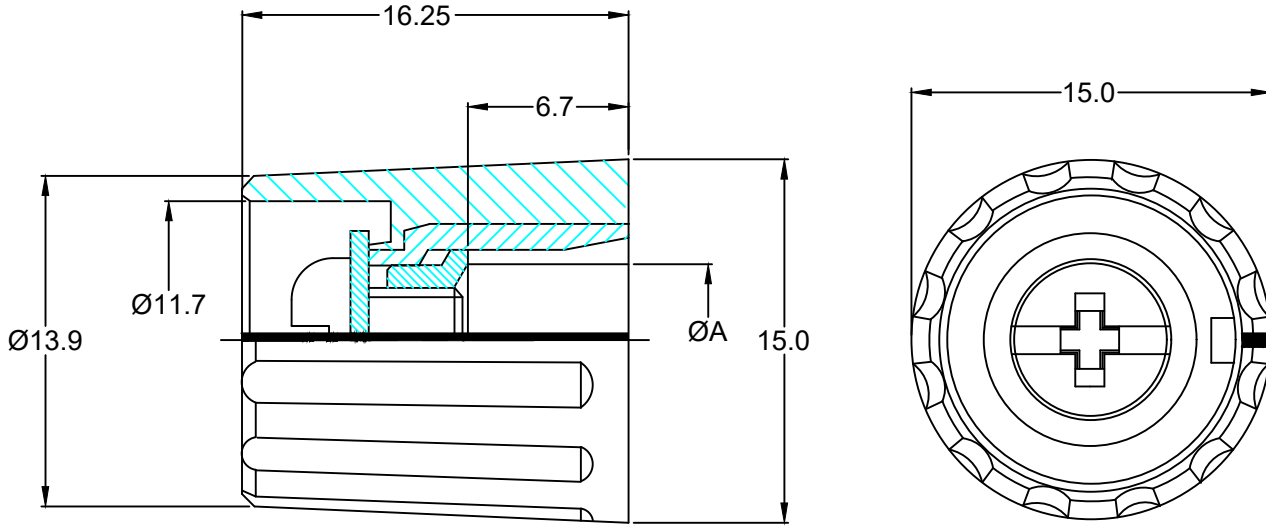


**MATERIAL AND FINISH**

Knob: Polyamide, Matte finish  
 Collet, Sleeve & nut: Brass 58

RoHS  
 COMPLIANT



**ORDERING CODE:**

27-15-XX X  
 1 2

**1) SHAFT DIAMETER (A)**

- 30 = 3mm
- 31 = 1/8"
- 40 = 4mm
- 60 = 6mm
- 61 = 1/4"

**2) COLOR (SEE CHART)**

P/N	COLOR
27-15-XX1	LIGHT GRAY
27-15-XX2	GRAY
27-15-XX3	BLACK
27-15-XX4	RED

<p>TOLERANCE                  UNLESS OTHERWISE SPECIFIED                  X ± 1                  X.X ± 0.4                  X.XX ± 0.20</p>	
DRAWN BY: PB	DATE: 4/2/03
CHECK BY: TD	DATE: 4/2/03
APPR BY: PB	DATE: 4/2/03

**Power Dynamics, Inc.**  
 Phone: 973 560-0019 Whippary, New Jersey Fax: 973 560-0076

PART: STANDARD KNOB; WITH LINE  
 MATTE FINISH

PART #: **27-15-XXX**

SIZE: A  
 SCALE: NTS

ALL DIMENSIONS FOR REFERENCE ONLY  
 DIMENSIONS ARE IN MILLIMETERS

SHEET 1 of 1  
 REV:

REVISIONS	CHANGE	CHK	CHK	APPR
REV	DATE			