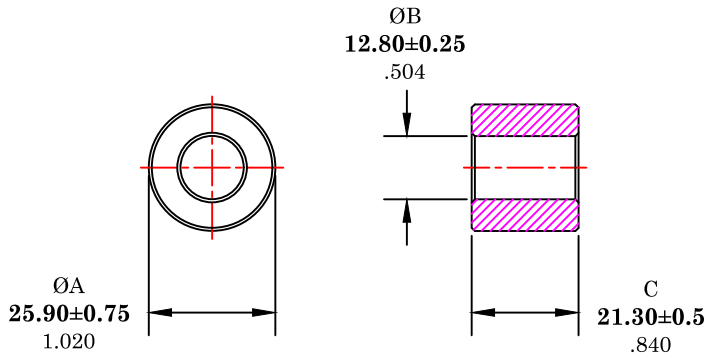


\*\* Not all features are shown in this drawing. For more detailed information, please contact your Fair-Rite representative.

UNCONTROLLED ~CATALOG~ DRAWING

SIZE	PART NO.	REV.
B	2661102402	~



DIMENSIONS  
**BOLD NUMBERS ARE IN MILLIMETERS**  
 LIGHT NUMBERS ARE IN INCHES

ELECTRICAL SPECIFICATIONS							
$\Sigma l/A (\text{mm}^{-1})$	$l_e (\text{mm})$	$A_e (\text{mm}^2)$	$V_e (\text{mm}^3)$	$L_o (\text{nH})$	IMPEDANCE (OHMS)		
					100 MHz	250 MHz	500 MHz
0.41853	56.0	134	7502	3.003	100 Min.	160 Min.	248 Min.
N=1 #22AWG WL=2.50"							

NOTES:

- 1 - BURNISH TO BREAK SHARP EDGES.
- 2 - IMPEDANCE MEASURED ON A HP4191A, USING A 16092A TEST FIXTURE, WITH FIXTURE COMPENSATION.

FR# 61

<b>FAIR-RITE PRODUCTS CORP.</b>							
TITLE ROUND SUPPRESSION CORE							
DRAWN BY J.SERENCSCS	DATE 06-25-2018	SIZE	PART NO.	REV.			
CHKD BY		B	2661102402	~			
APPRVD BY		SCALE	NONE	SHEET	1	of	1