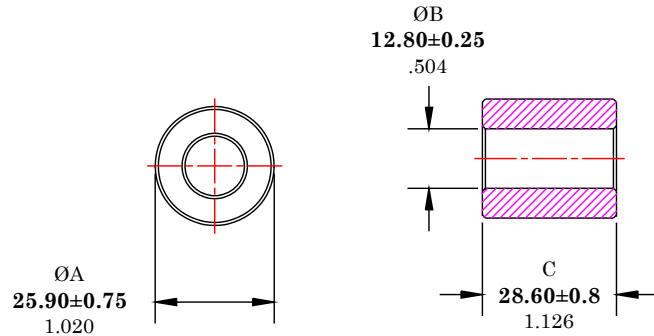


\*\* Not all features are shown in this drawing. For more detailed information, please contact your Fair-Rite representative.

UNCONTROLLED ~CATALOG~ DRAWING

SIZE	PART NO.	REV.
B	2661102002	~




DIMENSIONS  
**BOLD NUMBERS ARE IN MILLIMETERS**  
 LIGHT NUMBERS ARE IN INCHES

ELECTRICAL SPECIFICATIONS							
$\Sigma l/A(\text{mm}^{-1})$	$l_e$ (mm)	$A_e$ (mm <sup>2</sup> )	$V_e$ (mm <sup>3</sup> )	$L_o$ (nH)	IMPEDANCE (OHMS)		
					100 MHz	250 MHz	500 MHz
0.31170	56.0	180	10072	4.032	152 Min.	240 Min.	304 Min.
N=1 #22AWG WL=3.00"							

NOTES:

- 1 - BURNISH TO BREAK SHARP EDGES.
- 2 - IMPEDANCE MEASURED ON A HP4191A, USING A 16092A TEST FIXTURE, WITH FIXTURE COMPENSATION.

FR# 61

 <b>FAIR-RITE PRODUCTS CORP.</b>							
TITLE ROUND SUPPRESSION CORE							
DRAWN BY D. FOOTE	DATE 3/6/2020	SIZE	PART NO.	REV.			
CHKD BY		B	2661102002	~			
APPRVD BY		SCALE	NONE	SHEET	1	of	1