

**Technical specification/
Technische Daten:**

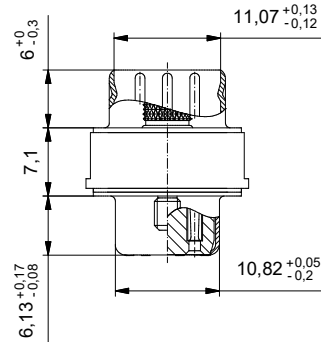
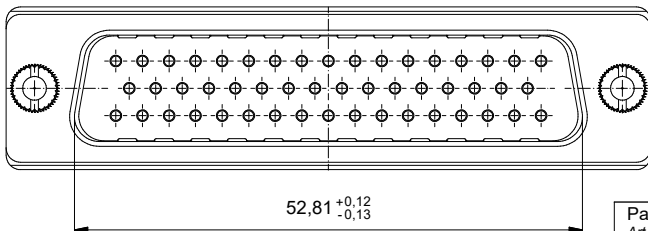
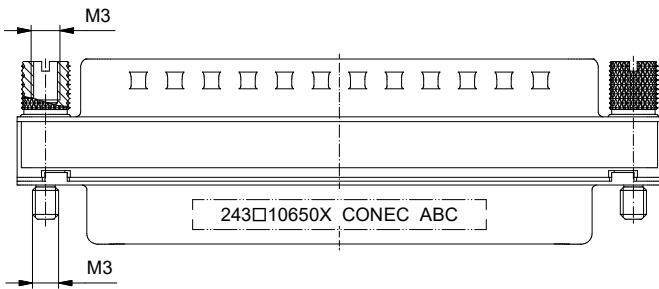
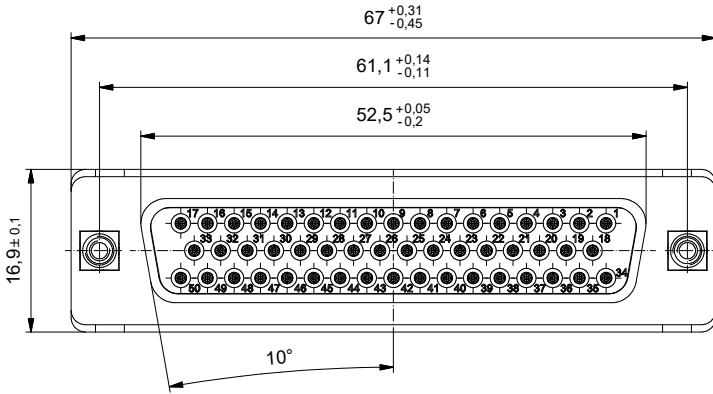
Working voltage/ Betriebsspannung:	100 VDC
Current rating/ Strombelastbarkeit:	7,5 A (UL) / 5 A (CSA, VDE)
Insulation resistance/ Isolationswiderstand:	≥ 1 GΩ
Dielectric withstanding voltage/ Spannungsfestigkeit (DWV):	424 VDC
Temperature working range/ Umgebungstemperatur:	- 25 °C ... + 85 °C
Capacitance value/ Kapazitätswert:	830 pF ± 20 %
Mating cycles/ Steckzyklen:	Quality class 3 = 50 Gütestufe 3 Quality class 2 = 200 Gütestufe 2 Quality class 1 = 500 Gütestufe 1

**Materials/
Werkstoffe:**

Contact/ Kontakt:	Cu alloy, Au over Ni
Insulator/ Isolierkörper:	PBT GF UL 94 V-0
Shell/ Gehäuse:	Steel, Sn over Ni
Threaded insert/ Gewindeinsatz:	Cu alloy, Sn over Ni
Jack screw/ Rändelschraube:	Cu alloy, Ni

**Installation specification/
Montagedaten:**

Recommended torque value for thread/ Empfohlenes Drehmoment für Gewinde:	max. 6 in.LB/ max. 67 Ncm
---	------------------------------



Part no. / Part marked / Art.-Nr. / Bedruckung:	Quality class/ Gütestufe:	Contact plating / Kontakt Veredelung:
243A10650X	3	Gold flash over nickel Gold über Nickel
243B10650X	2	20 µm hard gold over min. 50 µm nickel 20 µm Gold über min. 50 µm Nickel
243C10650X	1	30 µm hard gold over min. 50 µm nickel 30 µm Gold über min. 50 µm Nickel

Index: Original	Scale/ Maßstab: 2:1		D-SUB C-Filter Adapter 50pos. with jack screw M3 D-SUB C-Filter Adapter 50pol. mit Rändelschraube M3	dwg no / Z.-nr.: 24K1A1890	DIN- A3
Status: InBearbeitung					
RoHS compliant/ konform					1 / 1

This reproduction, distribution and utilization of this document as well as the communication of its contents to others without express authorization is prohibited. Offenders will be held liable for the payment of damages. For further information on our products and services, please contact our technical support department.