

SAIE-M12S-4S-F10TL**Weidmüller Interface GmbH & Co. KG**

Klingenbergstraße 16

D-32758 Detmold

Germany

Fon: +49 5231 14-0

Fax: +49 5231 14-292083

www.weidmueller.com

Similar to illustration

Weidmüller is now one of the industry's leading international providers of connectors. An important mainstay in this product family are the circular connectors, which Weidmüller groups under the product name SAI. In the development of SAI products, Weidmüller engineers have always concentrated on achieving rational, cost-effective installation concepts, and – in cooperation with major users – have supplied the markets with well-conceived products which set standards in terms of functionality and quality across the globe. The best examples are the new power distributors with S and T coded M12. These modules are characterised by particularly high currents and voltages. This enables them to also be used, for example, with three-phase motors.

General ordering data

| | |
|------------|--|
| Type | SAIE-M12S-4S-F10TL |
| Order No. | 2422610000 |
| Version | Built-in plugs, M12, M 12, No. of poles: 4 |
| GTIN (EAN) | 4050118430783 |
| Qty. | 10 pc(s). |

SAIE-M12S-4S-F10TL

Weidmüller Interface GmbH & Co. KG

Klingenbergstraße 16

D-32758 Detmold

Germany

Fon: +49 5231 14-0

Fax: +49 5231 14-292083

www.weidmueller.com

Technical data

Dimensions and weights

| | |
|------------|--------|
| Net weight | 13.6 g |
|------------|--------|

Environmental Product Compliance

| | |
|------------|----------------|
| REACH SVHC | Lead 7439-92-1 |
|------------|----------------|

Technical data of PCB plug-in connector

| | | | |
|---------------------|--------------------|--|--------------------------------|
| Coding | A | Housing surface | nickel-plated |
| Housings | M12 pin | Mounting height | 10 mm |
| Mounting thread | M12 | No. of poles | 4 |
| Shield connection | Yes | Type of mounting | Front mounting |
| Rated voltage | | Rated voltage (text) | 250 V (4-pole) / 60 V (5-pole) |
| | 250 V | Rated current | 4 A |
| Rated current | 4 A | Protection degree | IP67 |
| Temperature range | -30...80 °C | Housing main material | CuZn, nickel-plated |
| Contact surface | Au (Gold) | Tightening torque | M12: 0.8 Nm |
| Connection thread | M12 | Mounting torque range | 1.2 Nm |
| Mounting thread | M 12 | Pollution severity | 3 (2 within the sealed area) |
| Insulation strength | 100 MΩ | Contact material | CuZn |
| Plugging cycles | ≥ 100 | Material of the flange-mounted housing | Nickel-plated CuZn |
| Lock nut material | Nickel-plated CuZn | | |

Material data

| | | | |
|------------------|------|-----------------|-----------|
| Contact material | CuZn | Contact surface | Au (Gold) |
|------------------|------|-----------------|-----------|

System parameters

| | | | |
|---------------------|--------|-----------------|-------|
| Insulation strength | 100 MΩ | No. of poles | 4 |
| Pin series quantity | 1 | Plugging cycles | ≥ 100 |
| Protection degree | IP67 | | |

Classifications

| | | | |
|------------|-------------|------------|-------------|
| ETIM 6.0 | EC002638 | eClass 6.2 | 27-26-07-02 |
| eClass 9.0 | 27-44-03-09 | eClass 9.1 | 27-44-03-09 |

Approvals

| | |
|------|---------|
| ROHS | Conform |
|------|---------|

Downloads

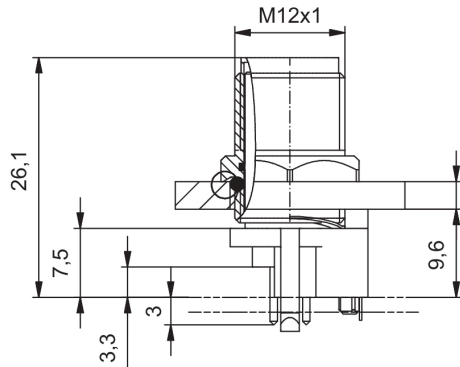
| | |
|--------------------|-----------------------------------|
| Brochure/Catalogue | FL FIELDWIRING EN |
| Engineering Data | STEP |

SAIE-M12S-4S-F10TL

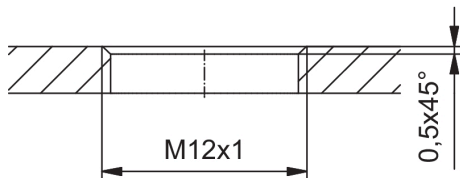
Weidmüller Interface GmbH & Co. KG
 Klingenbergstraße 16
 D-32758 Detmold
 Germany
 Fon: +49 5231 14-0
 Fax: +49 5231 14-292083
 www.weidmueller.com

Drawings

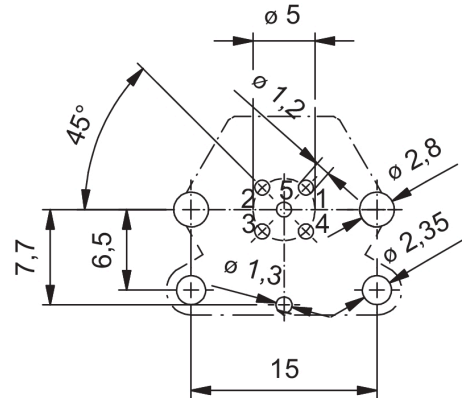
Dimensioned drawing



Front panel section



PCB design



Pole scheme

