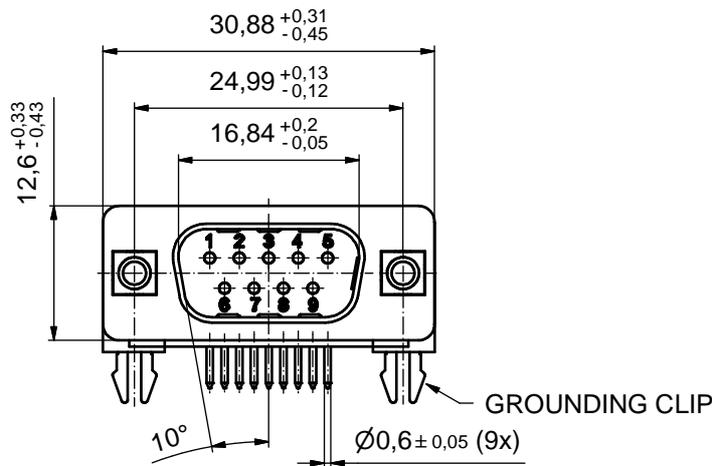
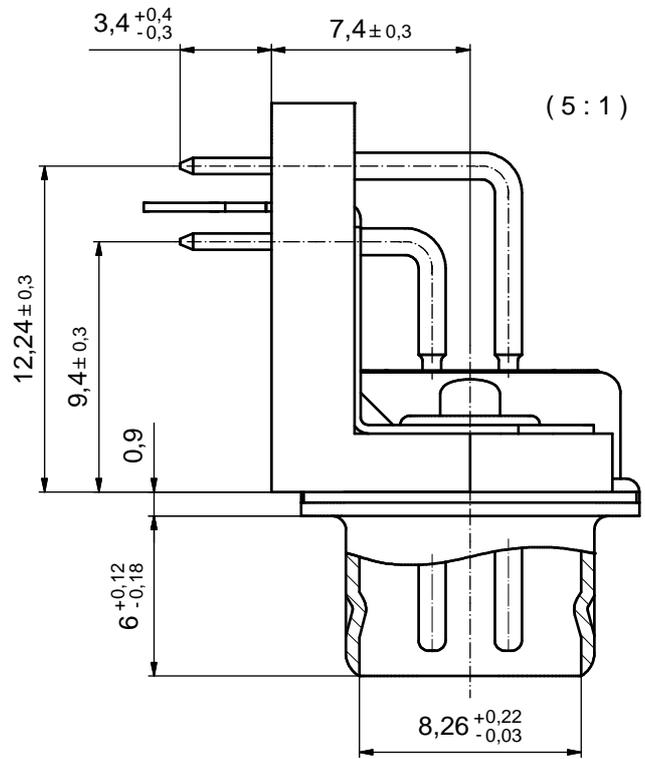
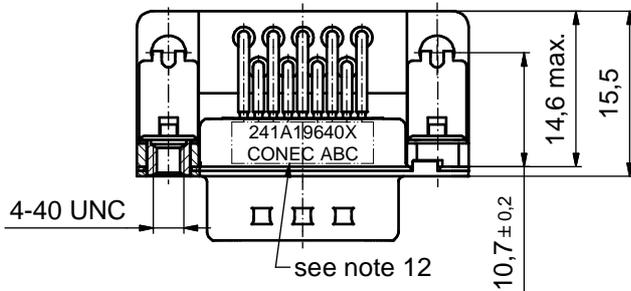


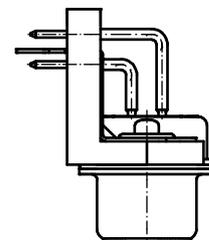
P.C.B. HOLE DRILLINGS (P.C.B. TOP SIDE)



GROUNDING CLIP

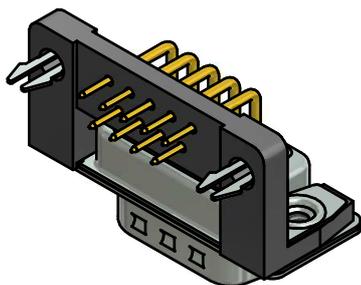


see note 12



NOTES:

1. RoHS COMPLIANT
2. FOR WAVESOLDERING (SOLDER BATH TEMPERATURE 260°C FOR 5 SEC. AND SOLDER PREHEAT 100°C FOR 30 SEC.)
3. METALSHELLS: STEEL; min. 315µm TIN over 40-80µm NICKEL
4. INSULATORS: HIGH TEMPERATURE PLASTIC UL 94 V-0, BLACK
5. CONTACTS: COPPER ALLOY
PLATING: GOLD FLASH over NICKEL
6. MOUNTING BRACKET: HIGH TEMPERATURE PLASTIC UL 94 V-0; BLACK
7. THREADED INSERTS: COPPER ALLOY; min. 200µm TIN over 80µm NICKEL
8. GROUNDING-CLIPS: COPPER ALLOY
PCB-HOLE: $\varnothing 3,1 \pm 0,1$; PCB THICKNESS 1,6mm
9. CAPACITANCE: 180pF $\pm 20\%$
10. DIELECTRIC WITHSTANDING VOLTAGE: 424 VDC
11. MAXIMUM TORQUE VALUE FOR THREAD: 6 in.LB
12. CONNECTOR IS PART MARKED: 241A19640X CONEC ABC



Directive 2002/95/EC RoHS compliant

THIS DRAWING MAY NOT BE COPIED OR REPRODUCED IN ANY WAY, AND MAY NOT BE PASSED ON TO A THIRD PARTY WITHOUT WRITTEN PERMISSION. OWNERSHIP AND COPYRIGHT OF CONEC GmbH DO NOT ALTER CAD DRAWING BY HAND	tolerance		dim. in mm	scale: 2:1 (5:1)	
	date			material: see notes	
	drawn	09.12.10	Schmidt	title: D-SUB FILTER MALE 90° 9pos. SOLDER PIN ANGLED 0.370inch threaded insert, mounting bracket, grounding clip	
	appd.	09.12.10	Fischer		
	norm				
d-old			dwg no:		DIN-A3
a	Origin				sh: 1
rev.	description	date	name	part no:	241A19640X