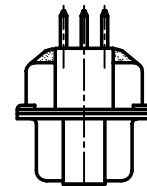
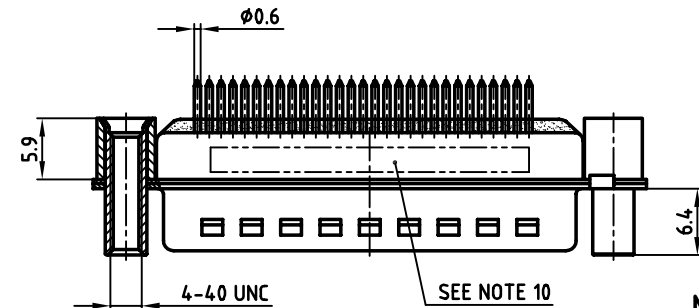
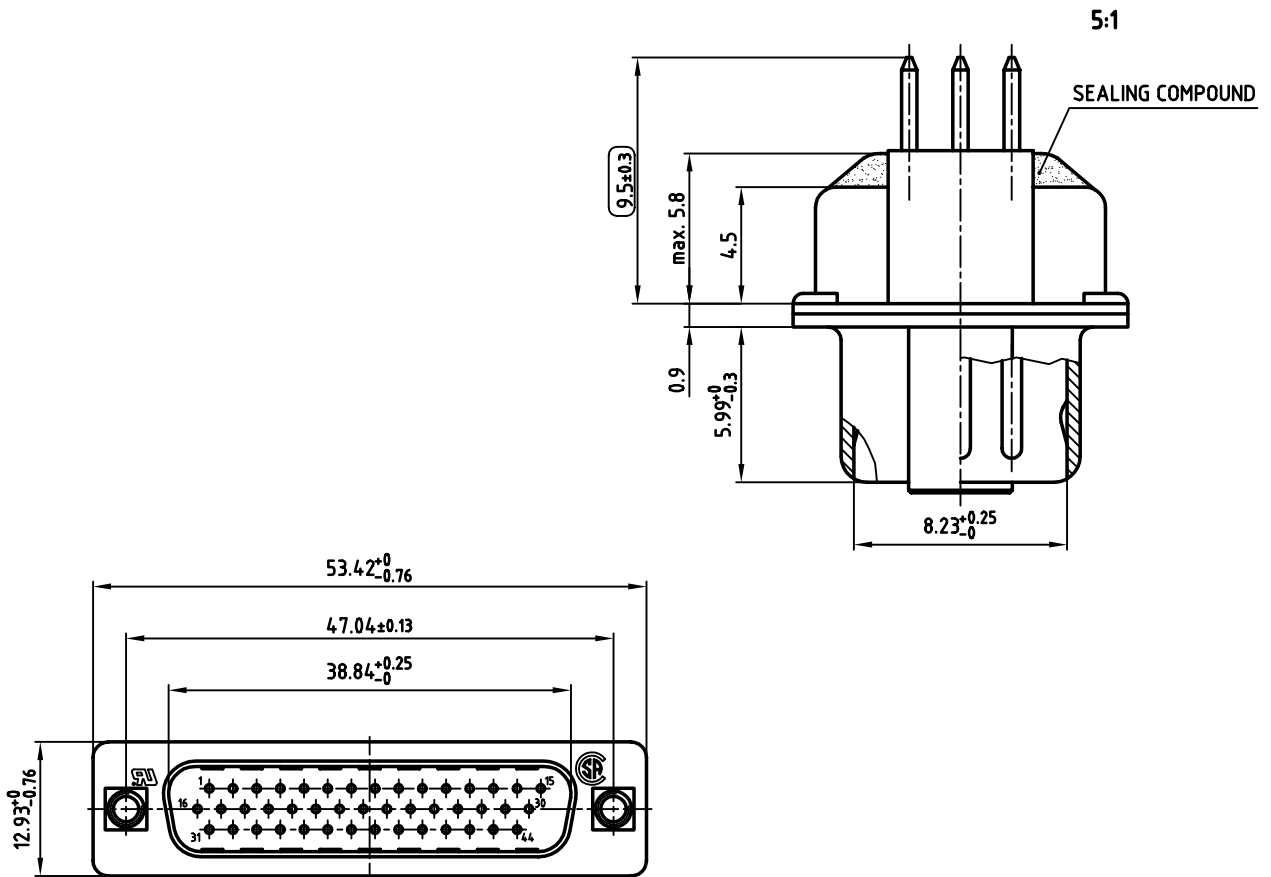


used for: D-SUB HD FILTER



NOTES:

1. METAL SHELLS: STEEL; min. 320 μ " TIN
2. INSULATORS: PBT GF UL 94 V-0, BLACK
3. CONTACTS: COPPER ALLOY
PLATING: 8 μ " HARD GOLD OVER min. 50 μ " NICKEL
4. THREADED REAR SPACER / FRONT THREADED LOCK: COPPER ALLOY; min. 200 μ " TIN over 80 μ " NICKEL
5. SLEEVE: COPPER ALLOY; min. 200 μ " TIN over 80 μ " NICKEL
6. P.C.B. HOLE DRILLINGS ON DRAWING NO.: 16V11H5B
7. CAPACITANCE: SEE TABLE
8. DIELECTRIC WITHSTANDING VOLTAGE: 300V DC
9. MAXIMUM TORQUE VALUE FOR THREAD: 6" LBS
10. CONNECTOR IS PART MARKED: PART-NO. CONEC Y/WW
11. = CHECK DIMENSION

CAPACITANCE	PART NO.
180pF $\pm 20\%$	241A27700X
370pF $\pm 20\%$	241A16800X
830pF $\pm 20\%$	241A16840X

APPROVAL * FREIGABE * DEBLOCAGE * AUTORIZACION * APPROVAL

CUSTOMER APPROVAL DATE:

NAME: TITLE:

COMPANY NAME:

APPROVAL * FREIGABE * DEBLOCAGE * AUTORIZACION * APPROVAL

THIS DRAWING MAY NOT BE COPIED OR REPRODUCED IN ANY WAY, AND MAY NOT BE PASSED ON TO A THIRD PARTY, WITHOUT WRITTEN PERMISSION. OWNERSHIP AND COPYRIGHT OF CONEC GmbH DO NOT ALTER CAD DRAWING BY HAND

rev.	description	date	name

tolerance		scale:	2:1 (5:1)
	dim. in mm	material:	SEE NOTES
2003	date	name	title:
drawn	23.09.	Lehmenkühler	D-SUB HD FILTER MALE
appd.	24.09.	Mickenbecker	44pos. SOLDER PIN STRAIGHT
norm	DIN 41652		threaded rear spacer and front threaded lock
d-old			dwg no: AutoCAD 2000
			DIN-A
			3
part no: SEE TABLE			sh: 1/1

dwg no:	AutoCAD 2000	DIN-A
24K1A461		3
part no: SEE TABLE		sh: 1/1