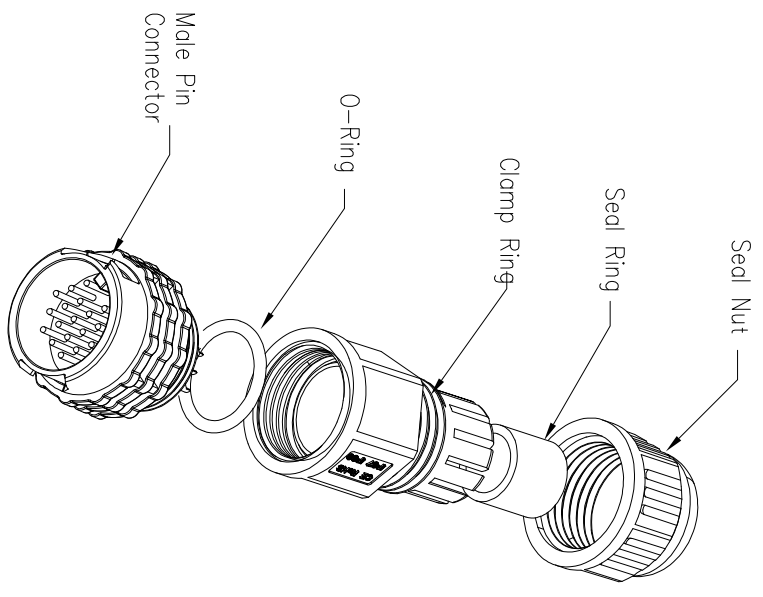
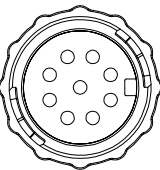
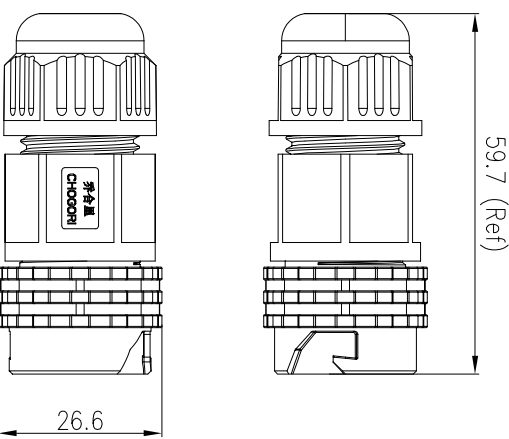
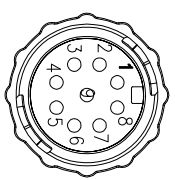


REV.	EN. NO.	DESCRIPTION	SIGN	DATE
C1	N/A	INITIAL DRAWING	Liu	2019/08/13



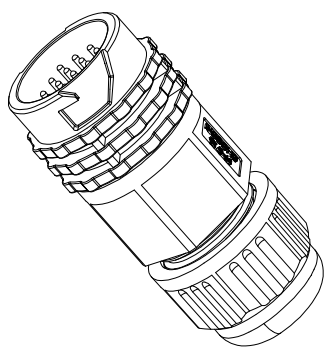
- Specification:
- 1.Operation Temperature: -45°C~105°C.
 - 2.Insulation Resistance:100MΩ at DC500V.
 - 3.Contact Resistance:<10mΩ.
 - 4.Withstand Voltage: 1500V AC
 - 5.Operating Current:5A
 - 6.Operating Voltage: AC 125V
 - 7.Waterproof Rate:IP67 (Mated)
 - 8.Seal Nut: Nylon, Black
 - 9.Seal Ring:Silicon, Black.
 - 10.Clamp Ring: Nylon, Black
 - 11.O-Ring:Silicon, Red
 - 12.Male Pin: Copper Alloy, Gold Plated
 - 13.Connector: Nylon+GF, Black
 - 14.RoHS Compliant.
 - 15.Mating Cap: 806-00068-00

24XXX331-XX Cable Range OD
 01 OD: φ3.5mm~φ6.8mm
 02 OD: φ6.8mm~φ10.5mm
 Pin Number



9 Pin P/N: 24009331-02
 18 Pin P/N: 24018331-02

Pin Assignments Front View



DESCRIPTION Large Series Push Lock Female Plug With Male Pin

UNIT: mm
 TOLERANCE
 X ±0.25
 XX ±0.15
 XXX ±0.05
 ANGLES ±1°

SCALE 1:1
 REV C1
 SIZE A4
 SHEET 1 OF 1
 * : Inspection Item

CHOGORI

PART NO	24XXX331-XX	DRAWN BY	Liu	DATE	2019/08/13
DWG NO		CHECKED BY	Mo	DATE	2019/08/13
CUSTOMER		APPROVED BY	Panson	DATE	2019/08/13