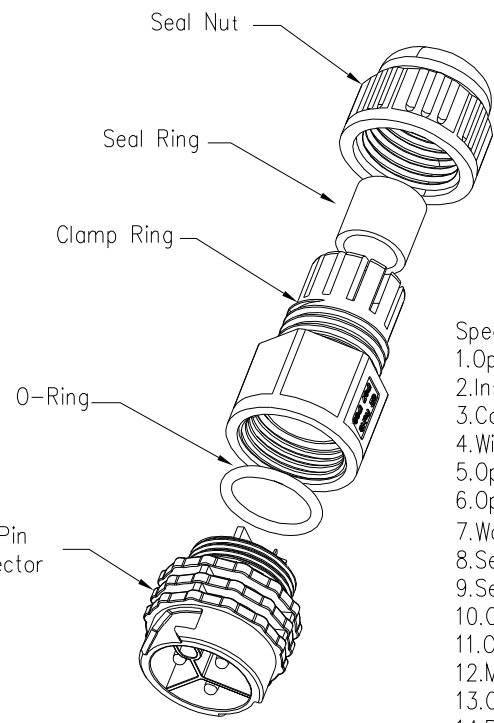
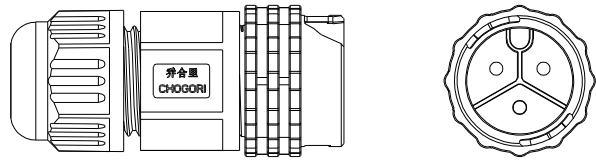
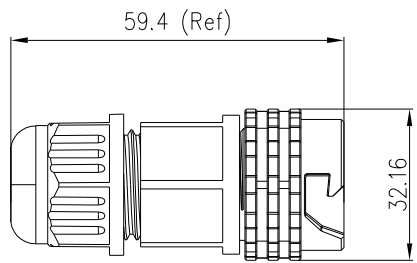


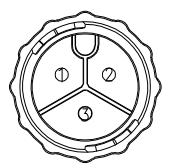
REV.	ECN NO.	DESCRIPTION	SIGN	DATE
C1	N/A	INITIAL DRAWING	Liu	2020/04/30



- Specification:
- 1.Operation Temperature: -45°C~105°C.
 - 2.Insulation Resistance:100MΩ at DC500V.
 - 3.Contact Resistance:<10mΩ
 - 4.Withstand Voltage: 2000V AC
 - 5.Operating Current:50A
 - 6.Operating Voltage: AC 300V
 - 7.Waterproof Rate:IP67 (Mated)
 - 8.Seal Nut:Nylon, Black
 - 9.Seal Ring:Silicon, Black.
 - 10.Clamp Ring:Nylon, Black
 - 11.O-Ring:Silicon, Red
 - 12.Male Pin:Copper Alloy, Gold Plated
 - 13.Connector:Nylon+GF, Black
 - 14.RoHS Compliant.
 - 15.Mating Cap:806-00059-00

24XXX331-XX Cable Range OD
 03 OD: φ5.5mm~φ6.5mm
 04 OD: φ8.0mm~φ10.5mm

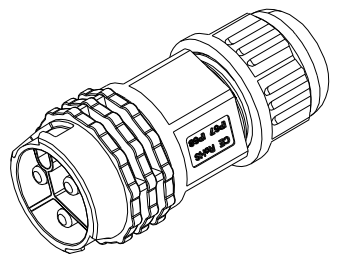
Pin Number



3 Pin

P/N: 24003331-0X

Pin Assignments
Front View



CHOGORI®

UNIT:mm		DESCRIPTION	Large Series Push Lock Female Plug With Male Pin	PART NO	24XXX331-XX	DRAWN BY	Liu	DATE	2020/04/30
TOLERANCE	.X ±0.25 .XX ±0.15 .XXX ±0.05 ANGLES ±1°	SCALE	1:1	SHEET	1 OF 1	CHECKED BY	Mo	DATE	2020/04/30
REV.	C1	SIZE	A4	* : Inspection Item					
				CUSTOMER		APPROVED BY	Adley	DATE	2019/04/30

THIS INFORMATION IS CONFIDENTIAL AND IS DISCLOSED TO YOU ON CONDITION THAT NO FURTHER DISCLOSURE IS MADE BY YOU TO OTHER THAN CHOGORI PERSONNEL WITHOUT AUTHORIZATION FROM CHOGORI CORP.