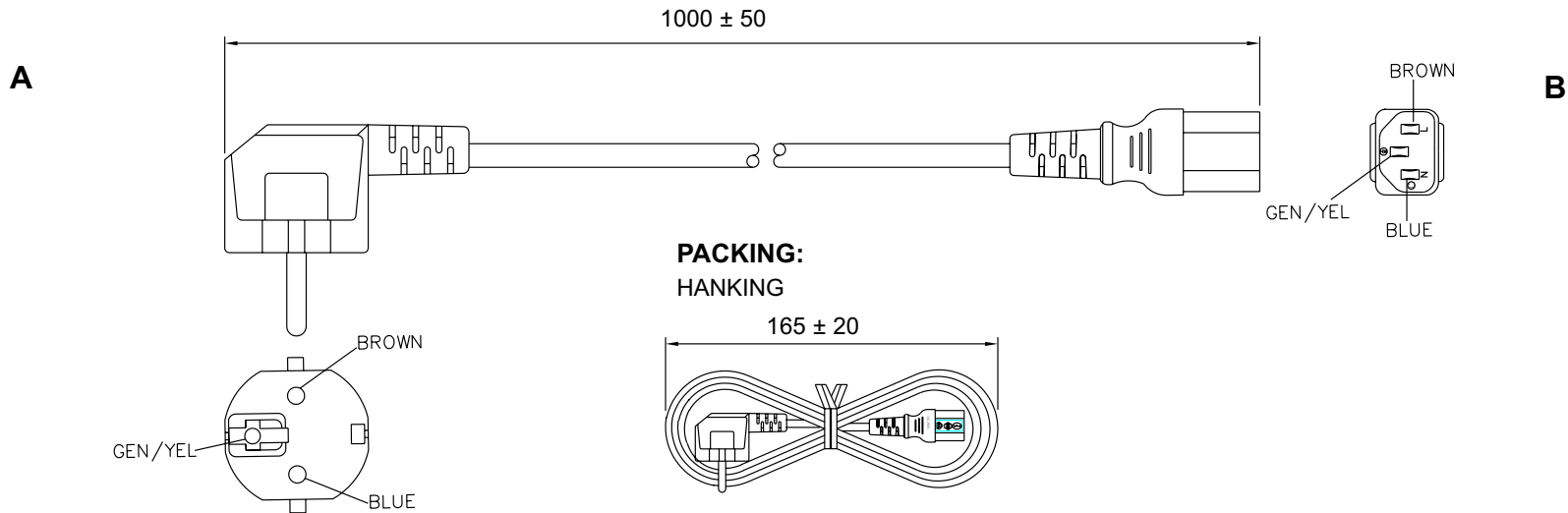


**PROPRIETARY INFORMATION:**  
 PROPRIETARY OF GLOBTEK, INC. ANY REPRODUCTION, DISCLOSURE OR  
 USE OF THIS DRAWING, IN WHOLE OR IN PART, IS HEREBY  
 PROHIBITED EXCEPT AS SPECIFIED IN WRITING BY GLOBTEK, INC.

REVISION			
REV	DESCRIPTION	DATE	APPROVED
A	INITIAL RELEASE, RFS. 15691, BS	02/24/09	BS




**GENERAL SPECIFICATIONS:**

RATING: 10A / 250V AC  
 CABLE TYPE / SIZE: H05VV-F, 3 x 1.0 mm<sup>2</sup>  
 TEMPERATURE RATING: 70° C  
 CONDUCTOR COLORS: BROWN / BLUE/ GREEN-YELLOW  
 CABLE JACKET COLOR: BLACK  
 OVERALL LENGTH (L): 1000 ± 50 mm  
 CABLE OUTER DIAMETER: 8.5 ± 0.2 mm  
 END 'A' PLUG; CEE 7/7 RIGHT ANGLE  
 END 'B' IEC-320 / C13  
 APPROVALS PLUG: VDE, N, S, D, FI, KEMA, UTE, CEBC, OVE, IMQ  
 APPROVALS CABLE: VDE, N, S, D, FI, KEMA, CEBC, OVE, SEV  
 APPROVALS CONNECTOR: VDE, N, S, D, FI, KEMA, UTE, CEBC, OVE, IMQ, SEV

**NOTES:**

1. CORD, PLUG AND CONNECTOR MUST BE MARKED WITH APPROVAL SYMBOLS OR FILE NUMBER(S).



DASH NO.	PART NO	REV.	DESCRIPTION	NOTES
<b>TABULATION BLOCK</b>				
		<b>TOLERANCES:</b> DECIMALS ANGULAR .xx +/- 0.1 +/- 1° .xxx +/- .005		 <b>GlobTek, Inc.</b> 186 Veterans Dr. Northvale, NJ 07647 www.globtek.com Tel. 201-784-1000 Fax 201.784.0111
		<b>MILLIMETERS ANGULAR</b> .xx +/- 0.3 +/- 1° .xxx +/- .013		
INIT.BY: BS	DATE: 02/24/09	DWG TITLE: EUROPEAN POWER CORD		
DRAWN: NF	DATE: 02/24/09	FSCN No.: G, CC	SIZE: A	REV. A
APRVD: HM	DATE: 02/24/09	SCALE: NONE	PART NO: <b>23134271M0701(R)</b>	SHEET 1/1

**Foot Note:**  
 Globtek Inc. will not be liable for the safety and performance of these power product if unauthorized access and repair occurs. End user should consult the applicable UL, CSA or EN Standards for proper installation instruction.

**Limitation of Use:**  
 Globtek product are not authorized for use as mission critical components in life support, hazardous environment, nuclear or aircraft applications without prior written approval from the CEO of Globtek Inc.

Contents of this document are subject to change without prior notice