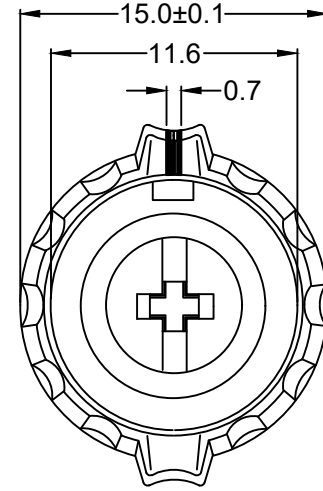
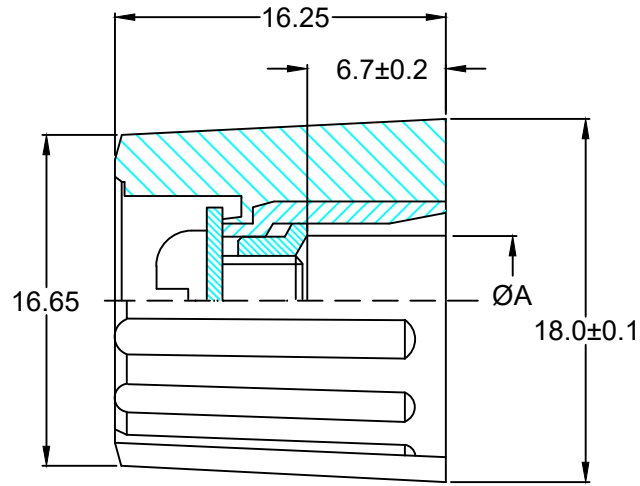


MATERIAL AND FINISH
 Knob: Polyamide
 Collet, Sleeve & nut: Brass 58

RoHS
 COMPLIANT



ORDERING CODE:
 23-15-XX X
 1 2

- 1) SHAFT DIAMETER (A)
 30 = 3mm
 31 = 1/8"
 40 = 4mm
 60 = 6mm
 61 = 1/4"

2) COLOR (SEE CHART)

P/N	COLOR
23-15-XX1	LIGHT GRAY
23-15-XX2	GRAY
23-15-XX3	BLACK
23-15-XX4	RED

TOLERANCE UNLESS OTHERWISE SPECIFIED	
X	± 1
X.X	± 0.4
X.XX	± 0.20
DRAWN BY	PB
CHECK BY	
APPR BY	
DATE:	10/26/10
DATE:	
DATE:	

Power Dynamics, Inc.
 Phone: 973 560-0019 Whippany, New Jersey Fax: 973 560-0076

PART: 15mm WING KNOB; WITH LINE

PART #: **23-15-XXX**

SIZE: A
 SCALE: NTS

ALL DIMENSIONS FOR REFERENCE ONLY
 DIMENSIONS ARE IN MILLIMETERS

SHEET 1 of 1
 REV:

REVISIONS	CHANGE	CHK	CHK	APPR
REV	DATE			