

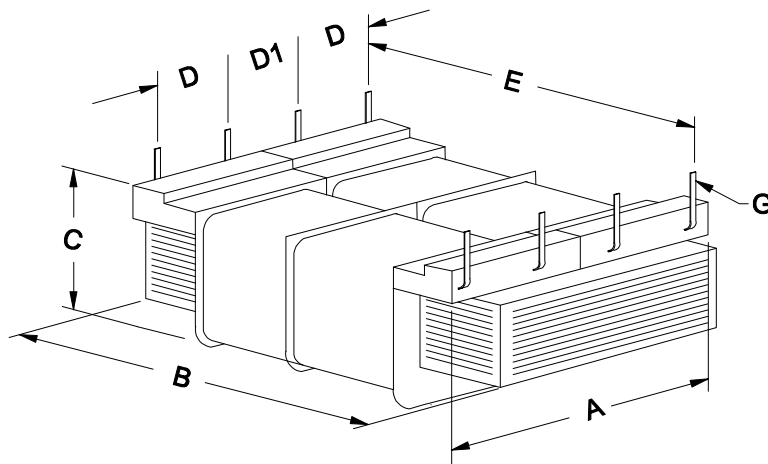
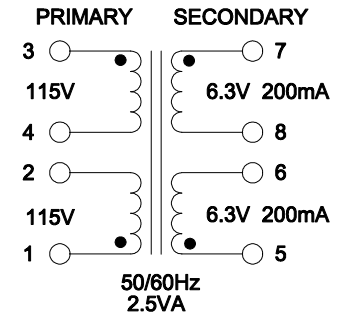
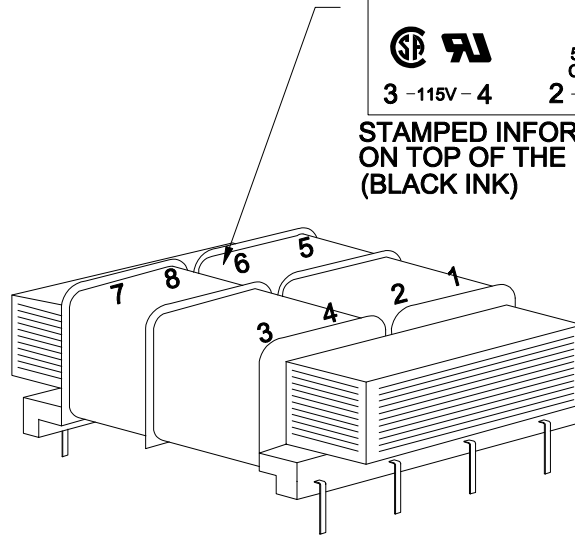


DIMENSIONS:	
A	1.560" ±0.063
B	1.875" ±0.063
C	0.650" ±0.063
D	0.380" ±0.030
D1	0.380" ±0.030
E	1.600" ±0.030
G	0.018" X .041" ±0.005

7 - 6.3V - 8 6 - 6.3V - 5
 229E12
 2.5VA
50/60Hz
CANADA
3 - 115V - 4 2 - 115V - 1

STAMPED INFORMATION
ON TOP OF THE UNIT.
(BLACK INK)



ELECTRICAL DATA:		
TESTS	CONDITIONS	ACCEPTANCE CRITERIA
I _{ex}	@ 115V, 60Hz, PIN 1 - PIN 2	22.56mA Max.
Sec. N.L.V	@ 115V, 400Hz, PIN 1 - PIN 2	
	PIN 5 - PIN 6 =	8.992V ±2%
	@ 115V, 400Hz, PIN 3 - PIN 4	
	PIN 7 - PIN 8 =	8.992V ±2%
DCR	@ 20°C, PIN 1 - PIN 2 =	985.0 Ω ±20%
	@ 20°C, PIN 3 - PIN 4 =	985.0 Ω ±20%
	@ 20°C, PIN 5 - PIN 6 =	5.600 Ω ±20%
	@ 20°C, PIN 7 - PIN 8 =	5.600 Ω ±20%
HIPOT	PRIMARY - SECONDARY	1500V, 60Hz, 1 SEC

REV.#	REVISION	DATE	HAMMOND MANUFACTURING™		ELECTRONIC DIVISION	
0	RELEASED.	C.I. 01/03/23	52 RANKIN PLACE, WATERLOO, ONTARIO, N2J 3Z5		PH # (519) 886-6181 FAX # (519) 886-9540	
			DWG. BY: C. ILIE	CHK'D BY:	TITLE: POWER TRANSFORMER	DWG. NO. 229E12
			DATE: 01/03/23	APP'D. BY:		
				DIMENSIONS: IN(X) MM()		