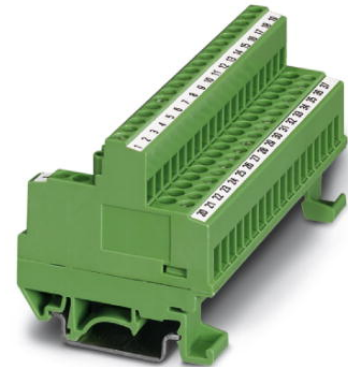


## FLK-D37 SUB/S

Order No.: 2283634



<http://eshop.phoenixcontact.de/phoenix/treeViewClick.do?UID=2283634>

VARIOFACE module, with screw connection and D-Subminiature male connector, for mounting on NS 35/7.5 or NS 32, 37-pos. (separate test socket for each channel)

### Commercial data

EAN	4017918055578
Pack	5 pcs.
Customs tariff	85369010
Weight/Piece	0.16063 KG
Catalog page information	Page 248 (IF-2007)

### Product notes

WEEE/RoHS-compliant since:  
08/03/2006



<http://www.download.phoenixcontact.com>  
Please note that the data given here has been taken from the online catalog. For comprehensive information and data, please refer to the user documentation. The General Terms and Conditions of Use apply to Internet downloads.

### Technical data

#### General data

Nominal voltage $U_N$	125 V AC
Max. current carrying capacity per branch	2.5 A
Max. total current of all branches	55 A

Number of positions	37
Width	96 mm
Height	51.2 mm
Depth	51.6 mm
Ambient temperature (operation)	-25 °C ... 50 °C
Ambient temperature (storage/transport)	-25 °C ... 70 °C
Test voltage	800 V AC (50 Hz, 1 min.)
Mounting position	Any
Standards/regulations	IEC 60664 DIN EN 50178 IEC 62103
Pollution degree	2
Surge voltage category	II

#### Connection data

Connection 1	PCB connection
Connection in acc. with standard	IEC / EN
Type of connection	Screw connection
Conductor cross section solid min.	0.2 mm <sup>2</sup>
Conductor cross section solid max.	4 mm <sup>2</sup>
Conductor cross section stranded min.	0.2 mm <sup>2</sup>
Conductor cross section stranded max.	2.5 mm <sup>2</sup>
Conductor cross section AWG/kcmil min.	24
Conductor cross section AWG/kcmil max	12
Stripping length	8 mm
Screw thread	M3
Connection 2	D-SUB connection
Type of connection	Pluggable
Number of positions	37

#### Certificates / Approvals



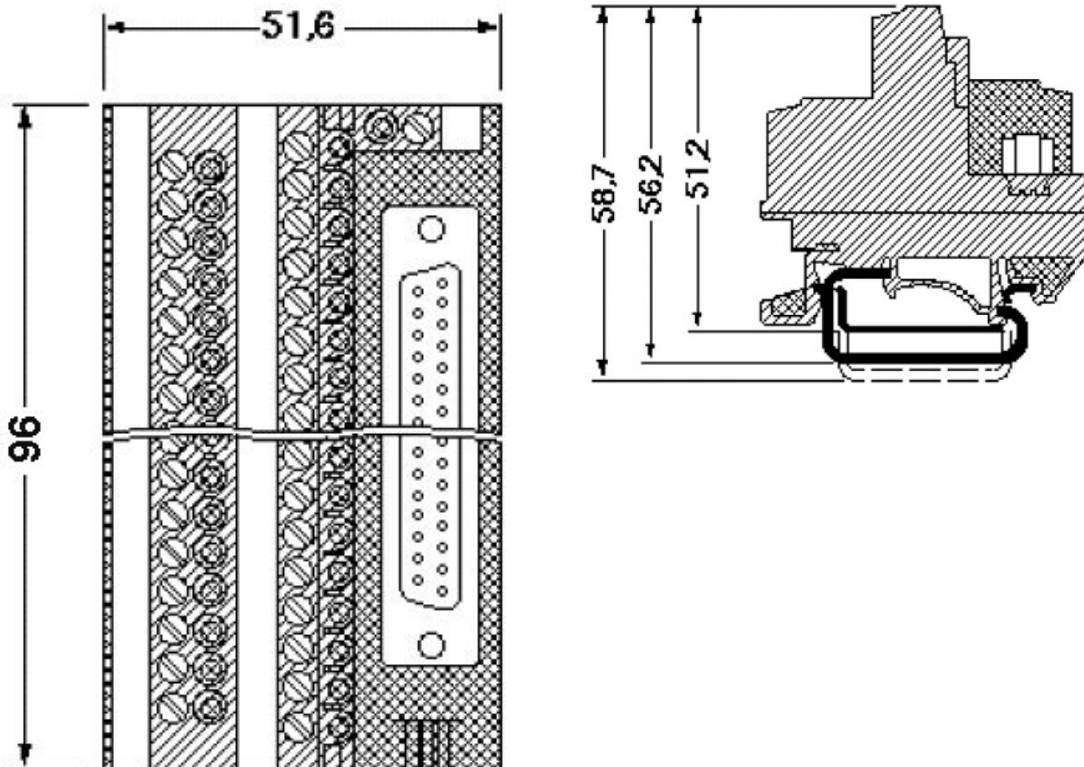
Certification

GOST

<b>Accessories</b>		
Item	Designation	Description
<b>Cable/conductor</b>		
2302421	CABLE D-SUB-B-B-S/.../.../...	Shielded round cable, assembled with two D-SUB female connectors, variable cable length
2302340	CABLE D-SUB-S/.../.../...	Shielded round cable, assembled with one D-SUB male and one female connector, variable cable length
2302191	CABLE-D37SUB/B/S/ 50/ KONFEK/S	Round shielded cable set, with 37-pos. D-SUB female and male connectors, cable length: 0.5 m
2302201	CABLE-D37SUB/B/S/100/ KONFEK/S	Round shielded cable set, with 37-pos. D-SUB female and male connectors, cable length: 1 m
2302214	CABLE-D37SUB/B/S/150/ KONFEK/S	Round shielded cable set, with 37-pos. D-SUB female and male connectors, cable length: 1.5 m
2302227	CABLE-D37SUB/B/S/200/ KONFEK/S	Round shielded cable set, with 37-pos. D-SUB female and male connectors, cable length: 2 m
2302230	CABLE-D37SUB/B/S/300/ KONFEK/S	Round shielded cable set, with 37-pos. D-SUB female and male connectors, cable length: 3 m
2302243	CABLE-D37SUB/B/S/400/ KONFEK/S	Round shielded cable set, with 37-pos. D-SUB female and male connectors, cable length: 4 m
2302256	CABLE-D37SUB/B/S/600/ KONFEK/S	Round shielded cable set, with 37-pos. D-SUB female and male connectors, cable length: 6 m
<b>Plug/Adapter</b>		
0201647	RPS	Reducing plug, Color: gray

Diagrams/Drawings

Dimensioned drawing



**Address**

PHOENIX CONTACT Inc., USA  
586 Fulling Mill Road  
Middletown, PA 17057, USA  
Phone (800) 888-7388  
Fax (717) 944-1625  
<http://www.phoenixcon.com>



© 2010 Phoenix Contact  
Technical modifications reserved;