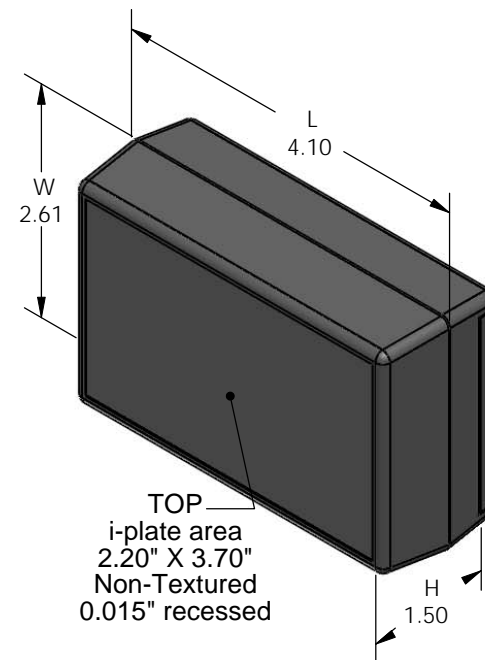


# SERPAC 221i (3D exploded)

Electronic Enclosures

-Click on image to show toolbar. Use ▶ || to Play/Pause Animation.  
 -Left click and drag on image to move 3D model.



### 3D model options:

- a) Zoom in & out with center wheel.
- b) Pause at any moment to view and or print views.
- c) Change the views to ortho and section views if needed from the Views pull down menu.
- d) Explore options included in the tool bar like: Views, Transparency of model, Lighting type, etc.

Notes: (Enclosure weight 0.17 lb / 79 gm)

1) Enclosure meets or exceeds IP40 and NEMA 1

2) Circuit Board drawings can be download at:

<http://www.serpac.com/Products/Accessories/CircuitBoard/drawings/319-419.pdf>

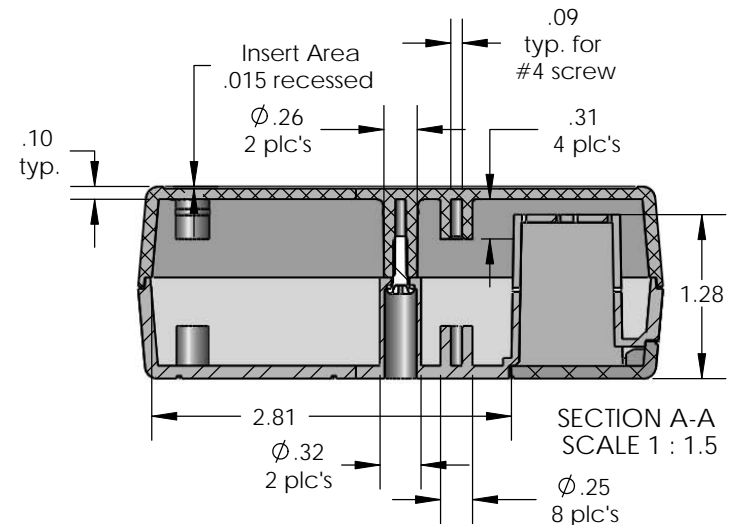
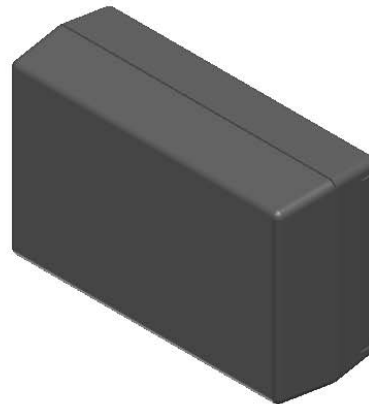
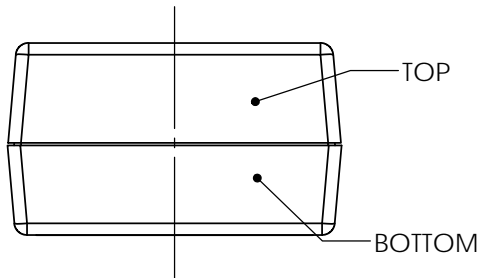
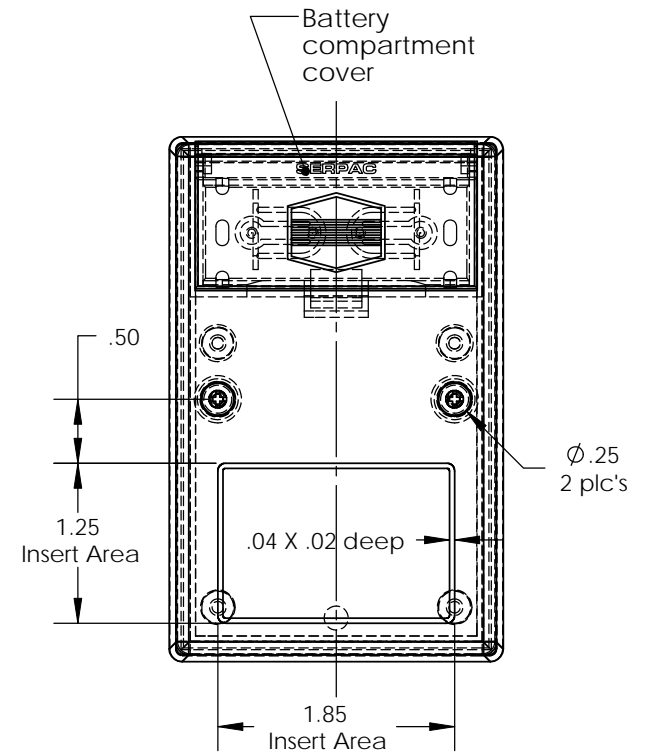
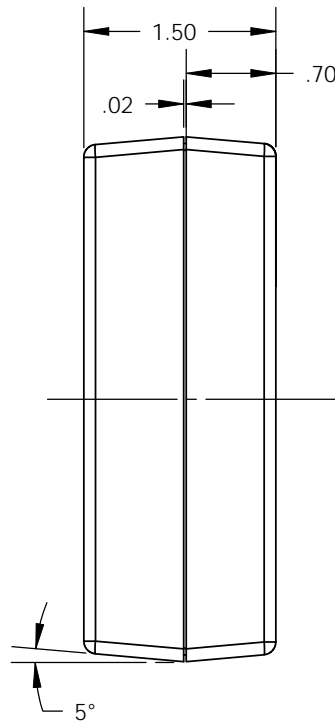
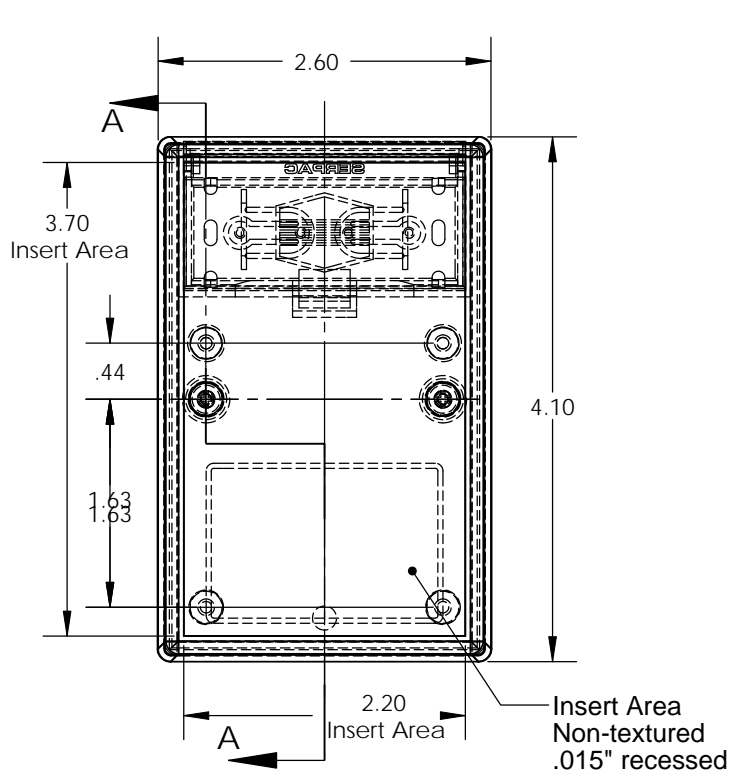
3) All components are RoHS Compliant.

PART NO.	DESCRIPTION (Included)	ACCESSIONS (Optional)	
PART NO.	DESCRIPTION	PART NO.	DESCRIPTION
2-1i	TOP		
22	BOTTOM	319	Prototype grid board
1025	Battery Cover	419	Prototype clad board
6005	#4X3/8" Self tapping (2)		

**ALL DIMENSIONS ARE ±.010" 4/12/10 (1 of 2)**  
 619 Commercial Ave. Covina, CA 91723  
 Ph. (626) 331-0517 Fx. (626) 331-8584 [serpac.com](http://serpac.com)

# SERPAC 221i (user print)

Electronic Enclosures



PART NO.	DESCRIPTION (Included)	ACCESSORIES (Optional)	
2-1i	TOP	PART NO.	DESCRIPTION
22	BOTTOM	319	Prototype grid board
1025	Battery Cover	419	Prototype clad board
6005	#4X3/8" self tapping (2)		

Notes: (Enclosure weight 0.17 lb / 79 gm)  
 1) Enclosure meets or exceeds IP40 and NEMA 1  
 2) Circuit Board drawings can be download at:  
<http://www.serpac.com/Products/Accessories/CircuitBoard/drawings/319-419.pdf>  
 3) All components are RoHS Compliant.

**ALL DIMENSIONS ARE ±.010" 4/12/10 (2 of 2)**  
**619 Commercial Ave. Covina, CA 91723**  
 Ph. (626) 331-0517 Fx. (626) 331-8584 [www.serpac.com](http://www.serpac.com)