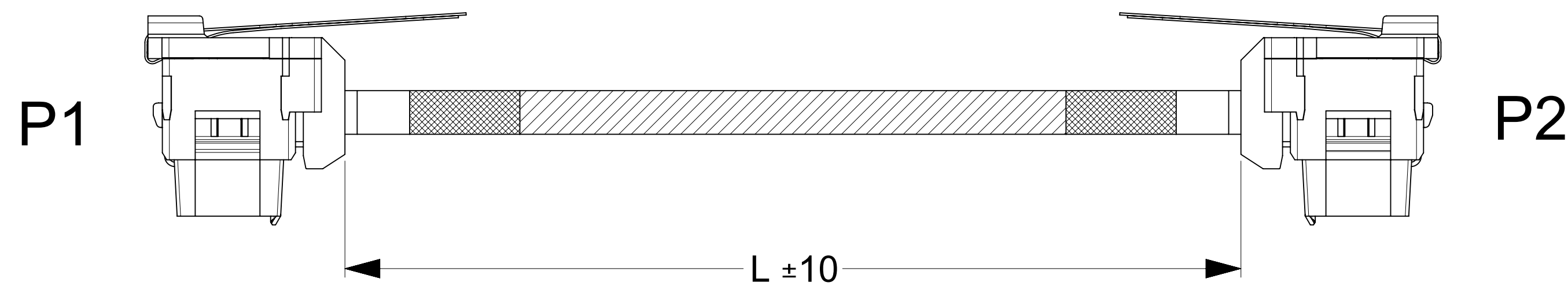
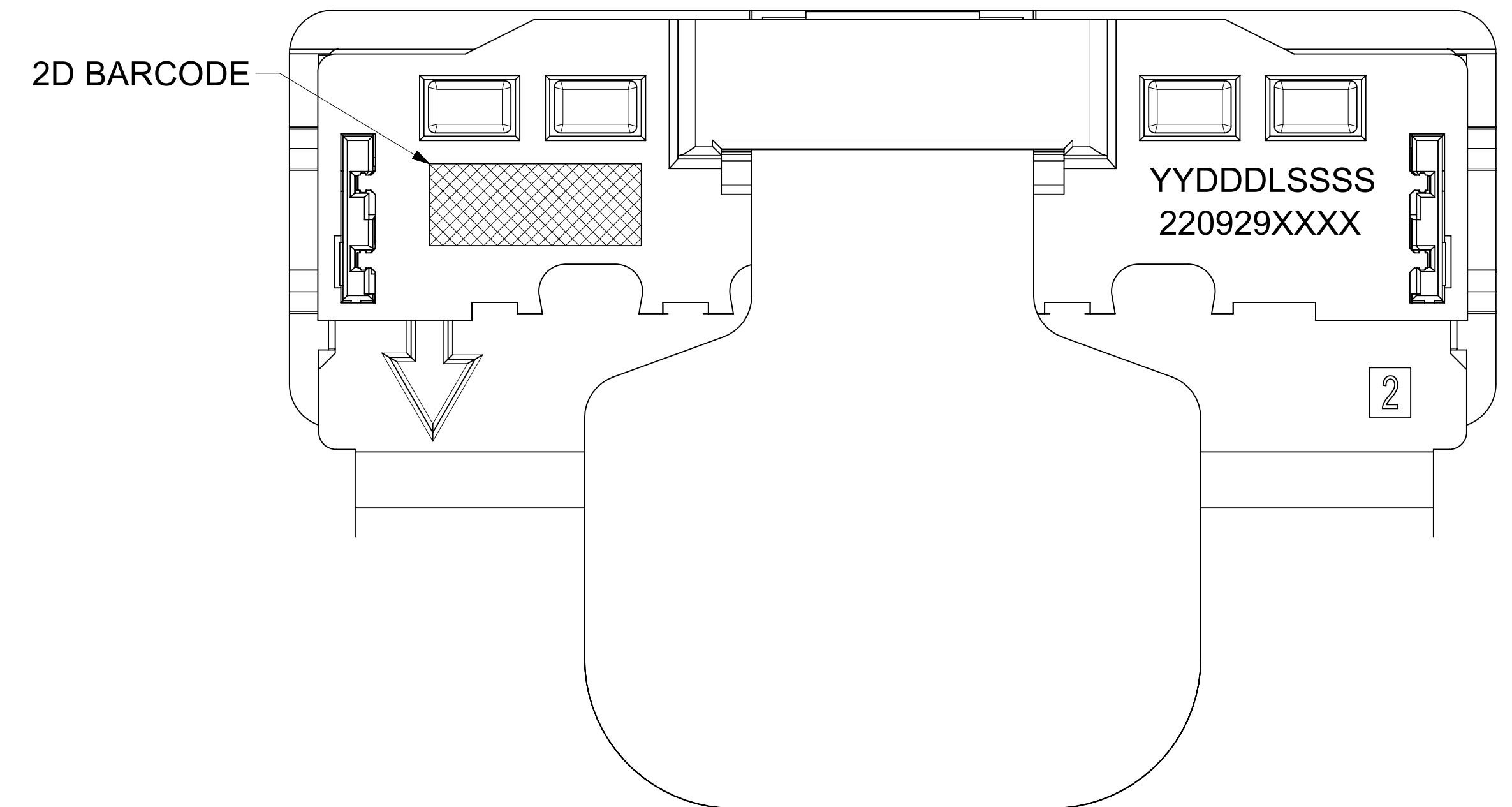
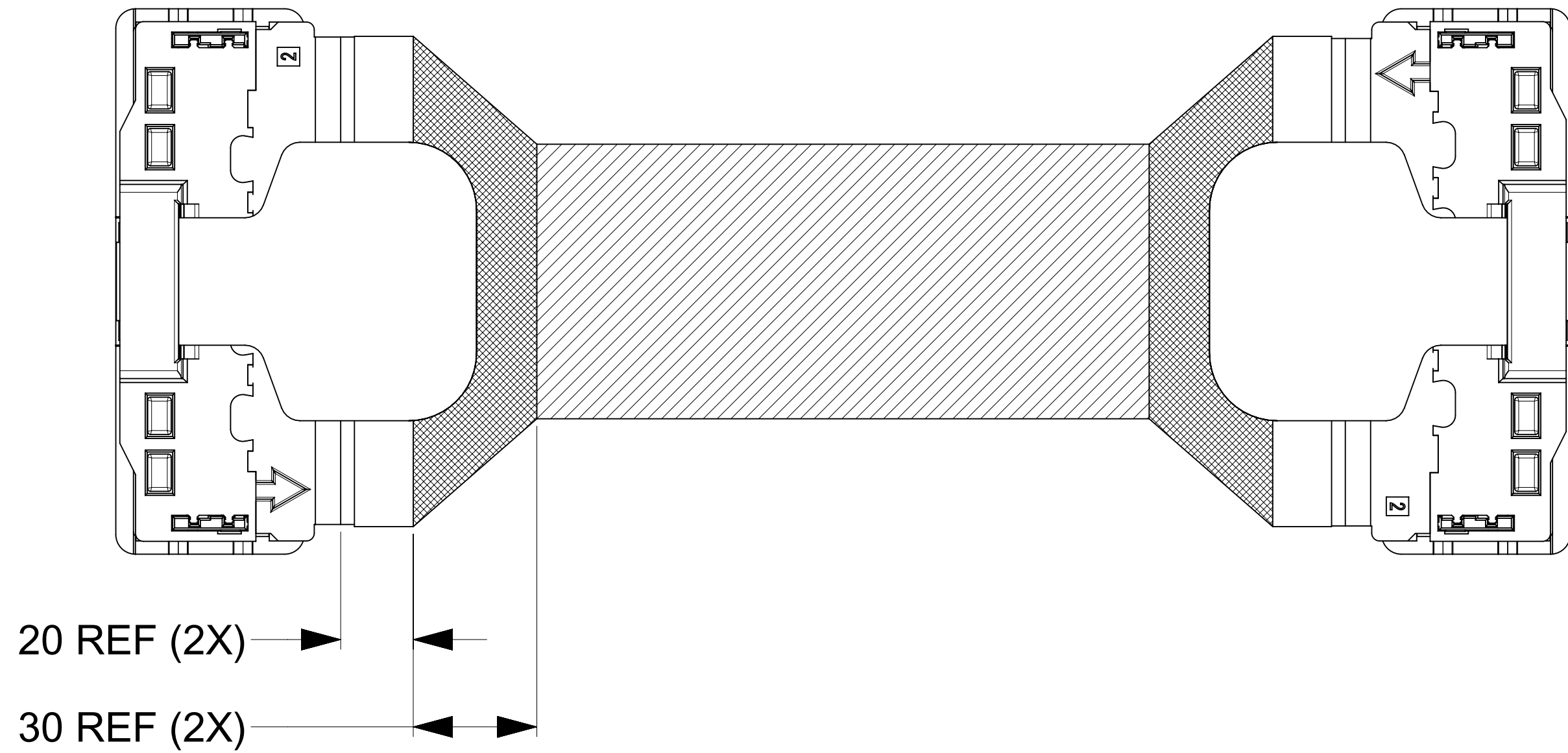
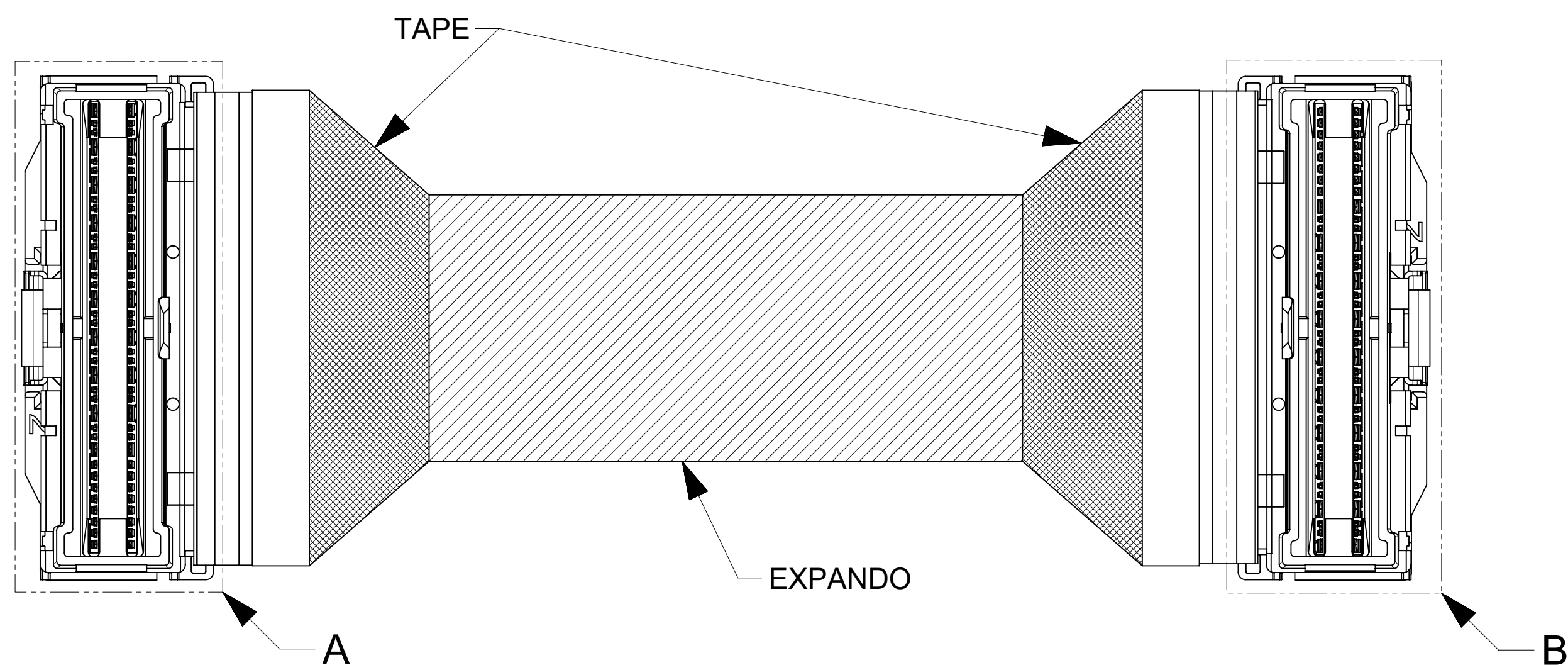


# 220929 & 220930 SERIES RIGHT ANGLE WITH PULL TAB TYPE



FORMAT: YY=YEAR DDD=JULIAN DATE  
SSSS=SERIAL NO. FROM 0000-9999 AND WILL RESET EVERYDAY  
L=PRODUCTION LINE CODE  
220929XXXX IS THE PART NUMBER OF THE CABLE  
ALL THE 2D BARCODE PN AND SN ARE PRINTED ON BOTH P1 AND P2 END  
THIS FORMAT APPLIES TO ALL THE SERIES# CALLED OUT ON THIS DRAWING



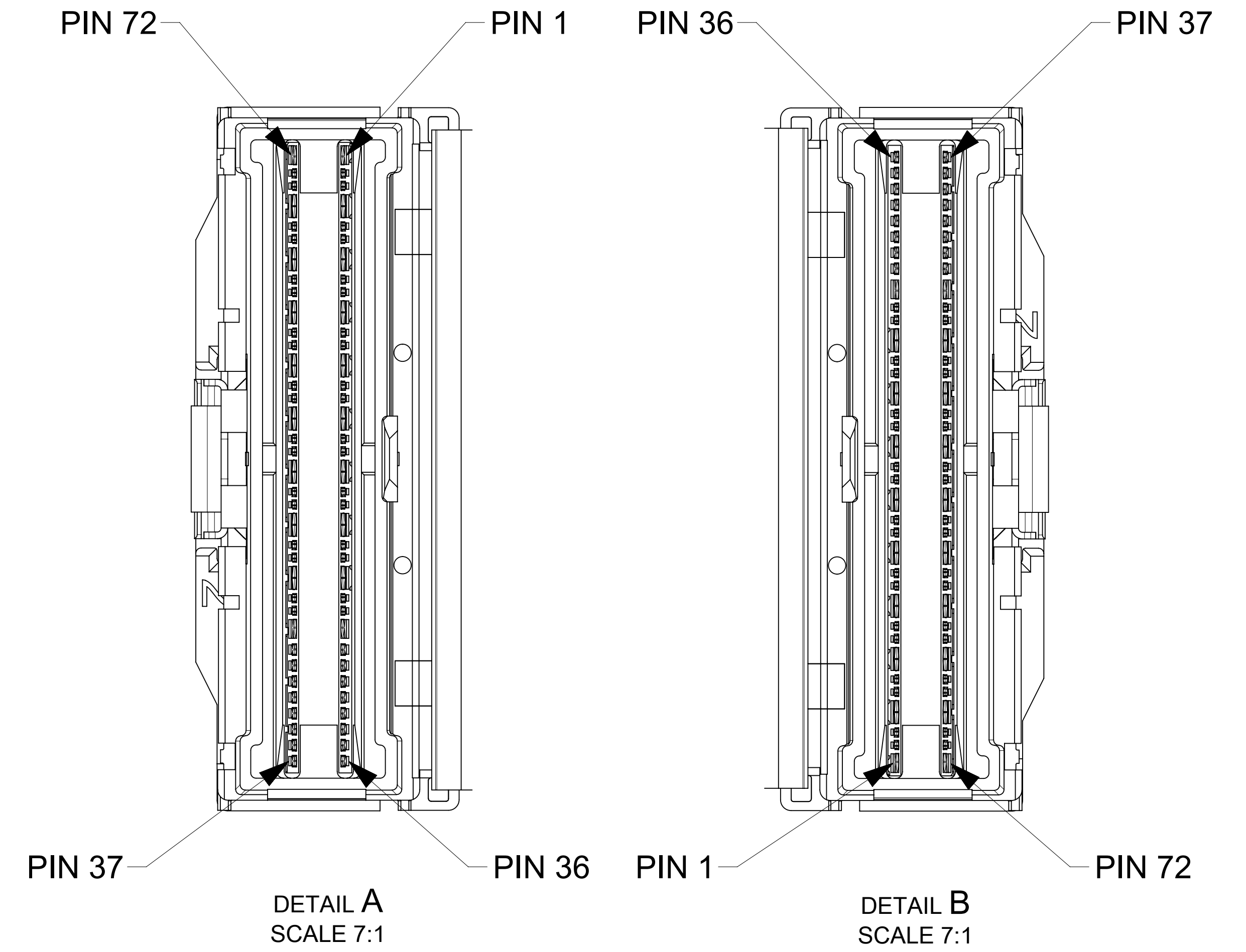
## NOTES:

1. PRODUCT SPECIFICATION: 2080210001-PS
2. APPLICATION SPECIFICATION: 2080210001-AS
3. COSMETIC SPECIFICATION: PS-45499-002 CLASS B
4. MATES WITH: 2080211000 & 2080211100
5. HOUSING MATERIAL: LCP, GLASS FILLED, UL94V-0, COLOR: BLACK
6. CONTACT MATERIAL: HIGH PERFORMANCE COPPER ALLOY
7. PLATING: 0.76 MICRONS MIN. GOLD OVER NICKEL  
(SELECTED GOLD IN CONTACT AREA)

|  |   |                        |                          |
|--|---|------------------------|--------------------------|
| FUNCTIONAL SYMBOLS                                   | THIS DRAWING CONTAINS INFORMATION THAT IS PROPRIETARY TO MOLEX ELECTRONIC TECHNOLOGIES, LLC AND SHOULD NOT BE USED WITHOUT WRITTEN PERMISSION |                        |                          |
|  | DIMENSION UNITS   | SCALE                  | CURRENT REV DESC:        |
| $\nabla_A = 0$                                       | mm  | 4:1                    |                          |
| $\nabla_C = 0$                                       | GENERAL TOLERANCES (UNLESS SPECIFIED)   |                        |                          |
| $\nabla_D = 0$                                       | ANGULAR TOL   | ± °                    |                          |
| DIVISIONAL SYMBOLS                                   | 4 PLACES  | ±                      | EC NO: 730790            |
|  | 3 PLACES  | ±                      | DRWN: MFAN08 2022/11/30  |
|  | 2 PLACES  | ±                      | CHK'D: ALVINZ 2022/12/01 |
|  | 1 PLACE   | ±                      | APPR: XQHE 2022/12/03    |
|  | 0 PLACES  | ±                      | INITIAL REVISION:        |
| DRAFT WHERE APPLICABLE MUST REMAIN WITHIN DIMENSIONS |   | THIRD ANGLE PROJECTION | DRAWING SERIES           |
|  |   |                        | D-SIZE 220929            |
| DOCUMENT STATUS                                      |   | P1                     | RELEASE DATE             |
| 2022/12/03   |   | 03:01:08               |                          |
| MATERIAL NUMBER                                      |   | CUSTOMER               | SHEET NUMBER             |
| 2209291000   |   | SEE TABLE              | 1 OF 10                  |
| GENERAL MARKET NS PCIE CABLE                         |   | DOC TYPE               | DOC PART                 |
| PRODUCT CUSTOMER DRAWING                             |   | PSD                    | 000                      |
| DOCUMENT NUMBER                                      |   | REVISION               | A2                       |

| P1  |     | P2  |     |
|-----|-----|-----|-----|
| CKT |     | CKT |     |
| 1   | GND | 45  | GND |
| 2   | S   | 46  | S   |
| 3   | S   | 47  | S   |
| 4   | GND | 48  | GND |
| 5   | S   | 49  | S   |
| 6   | S   | 50  | S   |
| 7   | GND | 51  | GND |
| 8   | S   | 52  | S   |
| 9   | S   | 53  | S   |
| 10  | GND | 54  | GND |
| 11  | S   | 55  | S   |
| 12  | S   | 56  | S   |
| 13  | GND | 57  | GND |
| 14  | S   | 58  | S   |
| 15  | S   | 59  | S   |
| 16  | GND | 60  | GND |
| 17  | S   | 61  | S   |
| 18  | S   | 62  | S   |
| 19  | GND | 63  | GND |
| 20  | S   | 64  | S   |
| 21  | S   | 65  | S   |
| 22  | GND | 66  | GND |
| 23  | S   | 67  | S   |
| 24  | S   | 68  | S   |
| 25  | GND | 69  | GND |
| 26  | S   | 70  | S   |
| 27  | S   | 71  | S   |
| 28  | GND | 72  | GND |
| 29  | SE  | 37  | SE  |
| 30  | SE  | 38  | SE  |
| 31  | SE  | 39  | SE  |
| 32  | SE  | 40  | SE  |
| 33  | SE  | 41  | SE  |
| 34  | SE  | 42  | SE  |
| 35  | SE  | 43  | SE  |
| 36  | SE  | 44  | SE  |

| P1  |     | P2  |     |
|-----|-----|-----|-----|
| CKT |     | CKT |     |
| 37  | SE  | 29  | SE  |
| 38  | SE  | 30  | SE  |
| 39  | SE  | 31  | SE  |
| 40  | SE  | 32  | SE  |
| 41  | SE  | 33  | SE  |
| 42  | SE  | 34  | SE  |
| 43  | SE  | 35  | SE  |
| 44  | SE  | 36  | SE  |
| 45  | GND | 1   | GND |
| 46  | S   | 2   | S   |
| 47  | S   | 3   | S   |
| 48  | GND | 4   | GND |
| 49  | S   | 5   | S   |
| 50  | S   | 6   | S   |
| 51  | GND | 7   | GND |
| 52  | S   | 8   | S   |
| 53  | S   | 9   | S   |
| 54  | GND | 10  | GND |
| 55  | S   | 11  | S   |
| 56  | S   | 12  | S   |
| 57  | GND | 13  | GND |
| 58  | S   | 14  | S   |
| 59  | S   | 15  | S   |
| 60  | GND | 16  | GND |
| 61  | S   | 17  | S   |
| 62  | S   | 18  | S   |
| 63  | GND | 19  | GND |
| 64  | S   | 20  | S   |
| 65  | S   | 21  | S   |
| 66  | GND | 22  | GND |
| 67  | S   | 23  | S   |
| 68  | S   | 24  | S   |
| 69  | GND | 25  | GND |
| 70  | S   | 26  | S   |
| 71  | S   | 27  | S   |
| 72  | GND | 28  | GND |



NOTE:

THIS PINOUT IS APPLICABLE FOR ALL THE SERIES LISTED BELOW:  
 220929 220930  
 220931 220932  
 220933 220934  
 220935 220936

|   |   |   |   |                                     |  |
|---|---|---|---|-------------------------------------|--|
| FUNCTIONAL SYMBOLS<br>$F_A = 0$<br>$F_C = 0$<br>$F_D = 0$<br>DIVISIONAL SYMBOLS | THIS DRAWING CONTAINS INFORMATION THAT IS PROPRIETARY TO MOLEX ELECTRONIC TECHNOLOGIES, LLC AND SHOULD NOT BE USED WITHOUT WRITTEN PERMISSION |   | CURRENT REV DESC:   |                                     |  |
|   | DIMENSION UNITS<br><b>mm</b>  | SCALE<br><b>1:1</b>   | EC NO: 730790<br>DRWN: MFAN08 2022/11/30<br>CHK'D: ALVINZ 2022/12/01<br>APPR: XQHE 2022/12/03 |                                     |  |
|   | GENERAL TOLERANCES (UNLESS SPECIFIED)<br>ANGULAR TOL $\pm$ °  |   | INITIAL REVISION:<br>DRWN: MFAN08 2022/06/09<br>APPR: XQHE 2022/06/24                         |                                     |  |
|   | 4 PLACES $\pm$<br>3 PLACES $\pm$<br>2 PLACES $\pm$<br>1 PLACE $\pm$<br>0 PLACES $\pm$   |   | DRAFT WHERE APPLICABLE MUST REMAIN WITHIN DIMENSIONS  |                                     |  |
| THIRD ANGLE PROJECTION<br>  |   | DRAWING<br><b>D-SIZE</b>  | SERIES<br><b>220929</b>   | MATERIAL NUMBER<br><b>SEE TABLE</b> |  |
| DOCUMENT STATUS<br><b>P1</b>  |   | RELEASE DATE<br><b>2022/12/03 03:01:08</b>  |   | CUSTOMER<br><b>SEE TABLE</b>        |  |
| SHEET NUMBER<br><b>2 OF 10</b>  |   | PRODUCT CUSTOMER DRAWING<br>GENERAL MARKET NS PCIE CABLE<br>DOCUMENT NUMBER: <b>2209291000</b><br>DOC TYPE: <b>PSD</b> DOC PART: <b>000</b> REVISION: <b>A2</b> |   |                                     |  |

| FINISHED GOODS PN | DESCRIPTION        | DIMENSION "L" |
|-------------------|--------------------|---------------|
| 2209290250        | RA PT DONOR 250MM  | 250           |
| 2209290275        | RA PT DONOR 275MM  | 275           |
| 2209290300        | RA PT DONOR 300MM  | 300           |
| 2209290325        | RA PT DONOR 325MM  | 325           |
| 2209290350        | RA PT DONOR 350MM  | 350           |
| 2209290375        | RA PT DONOR 375MM  | 375           |
| 2209290400        | RA PT DONOR 400MM  | 400           |
| 2209290425        | RA PT DONOR 425MM  | 425           |
| 2209290450        | RA PT DONOR 450MM  | 450           |
| 2209290475        | RA PT DONOR 475MM  | 475           |
| 2209290500        | RA PT DONOR 500MM  | 500           |
| 2209290525        | RA PT DONOR 525MM  | 525           |
| 2209290550        | RA PT DONOR 550MM  | 550           |
| 2209290575        | RA PT DONOR 575MM  | 575           |
| 2209290600        | RA PT DONOR 600MM  | 600           |
| 2209290625        | RA PT DONOR 625MM  | 625           |
| 2209290650        | RA PT DONOR 650MM  | 650           |
| 2209290675        | RA PT DONOR 675MM  | 675           |
| 2209290700        | RA PT DONOR 700MM  | 700           |
| 2209290725        | RA PT DONOR 725MM  | 725           |
| 2209290750        | RA PT DONOR 750MM  | 750           |
| 2209290775        | RA PT DONOR 775MM  | 775           |
| 2209290800        | RA PT DONOR 800MM  | 800           |
| 2209290825        | RA PT DONOR 825MM  | 825           |
| 2209290850        | RA PT DONOR 850MM  | 850           |
| 2209290875        | RA PT DONOR 875MM  | 875           |
| 2209290900        | RA PT DONOR 900MM  | 900           |
| 2209290925        | RA PT DONOR 925MM  | 925           |
| 2209290950        | RA PT DONOR 950MM  | 950           |
| 2209290975        | RA PT DONOR 975MM  | 975           |
| 2209291000        | RA PT DONOR 1000MM | 1000          |
| 2209291025        | RA PT DONOR 1025MM | 1025          |
| 2209291050        | RA PT DONOR 1050MM | 1050          |
| 2209291075        | RA PT DONOR 1075MM | 1075          |
| 2209291100        | RA PT DONOR 1100MM | 1100          |
| 2209291125        | RA PT DONOR 1125MM | 1125          |
| 2209291150        | RA PT DONOR 1150MM | 1150          |
| 2209291175        | RA PT DONOR 1175MM | 1175          |
| 2209291200        | RA PT DONOR 1200MM | 1200          |
| 2209291225        | RA PT DONOR 1225MM | 1225          |
| 2209291250        | RA PT DONOR 1250MM | 1250          |
| 2209291275        | RA PT DONOR 1275MM | 1275          |
| 2209291300        | RA PT DONOR 1300MM | 1300          |
| 2209291325        | RA PT DONOR 1325MM | 1325          |
| 2209291350        | RA PT DONOR 1350MM | 1350          |
| 2209291375        | RA PT DONOR 1375MM | 1375          |
| 2209291400        | RA PT DONOR 1400MM | 1400          |
| 2209291425        | RA PT DONOR 1425MM | 1425          |
| 2209291450        | RA PT DONOR 1450MM | 1450          |
| 2209291475        | RA PT DONOR 1475MM | 1475          |
| 2209291500        | RA PT DONOR 1500MM | 1500          |
| 2209291550        | RA PT DONOR 1550MM | 1550          |
| 2209291600        | RA PT DONOR 1600MM | 1600          |


| FINISHED GOODS PN | DESCRIPTION     | DIMENSION "L" |
|-------------------|-----------------|---------------|
| 2209300250        | RA PT FG 250MM  | 250           |
| 2209300275        | RA PT FG 275MM  | 275           |
| 2209300300        | RA PT FG 300MM  | 300           |
| 2209300325        | RA PT FG 325MM  | 325           |
| 2209300350        | RA PT FG 350MM  | 350           |
| 2209300375        | RA PT FG 375MM  | 375           |
| 2209300400        | RA PT FG 400MM  | 400           |
| 2209300425        | RA PT FG 425MM  | 425           |
| 2209300450        | RA PT FG 450MM  | 450           |
| 2209300475        | RA PT FG 475MM  | 475           |
| 2209300500        | RA PT FG 500MM  | 500           |
| 2209300525        | RA PT FG 525MM  | 525           |
| 2209300550        | RA PT FG 550MM  | 550           |
| 2209300575        | RA PT FG 575MM  | 575           |
| 2209300600        | RA PT FG 600MM  | 600           |
| 2209300625        | RA PT FG 625MM  | 625           |
| 2209300650        | RA PT FG 650MM  | 650           |
| 2209300675        | RA PT FG 675MM  | 675           |
| 2209300700        | RA PT FG 700MM  | 700           |
| 2209300725        | RA PT FG 725MM  | 725           |
| 2209300750        | RA PT FG 750MM  | 750           |
| 2209300775        | RA PT FG 775MM  | 775           |
| 2209300800        | RA PT FG 800MM  | 800           |
| 2209300825        | RA PT FG 825MM  | 825           |
| 2209300850        | RA PT FG 850MM  | 850           |
| 2209300875        | RA PT FG 875MM  | 875           |
| 2209300900        | RA PT FG 900MM  | 900           |
| 2209300925        | RA PT FG 925MM  | 925           |
| 2209300950        | RA PT FG 950MM  | 950           |
| 2209300975        | RA PT FG 975MM  | 975           |
| 2209301000        | RA PT FG 1000MM | 1000          |
| 2209301025        | RA PT FG 1025MM | 1025          |
| 2209301050        | RA PT FG 1050MM | 1050          |
| 2209301075        | RA PT FG 1075MM | 1075          |
| 2209301100        | RA PT FG 1100MM | 1100          |
| 2209301125        | RA PT FG 1125MM | 1125          |
| 2209301150        | RA PT FG 1150MM | 1150          |
| 2209301175        | RA PT FG 1175MM | 1175          |
| 2209301200        | RA PT FG 1200MM | 1200          |
| 2209301225        | RA PT FG 1225MM | 1225          |
| 2209301250        | RA PT FG 1250MM | 1250          |
| 2209301275        | RA PT FG 1275MM | 1275          |
| 2209301300        | RA PT FG 1300MM | 1300          |
| 2209301325        | RA PT FG 1325MM | 1325          |
| 2209301350        | RA PT FG 1350MM | 1350          |
| 2209301375        | RA PT FG 1375MM | 1375          |
| 2209301400        | RA PT FG 1400MM | 1400          |
| 2209301425        | RA PT FG 1425MM | 1425          |
| 2209301450        | RA PT FG 1450MM | 1450          |
| 2209301475        | RA PT FG 1475MM | 1475          |
| 2209301500        | RA PT FG 1500MM | 1500          |
| 2209301550        | RA PT FG 1550MM | 1550          |
| 2209301600        | RA PT FG 1600MM | 1600          |

## 220929 SERIES WITHOUT EXPANDO AND TAPE

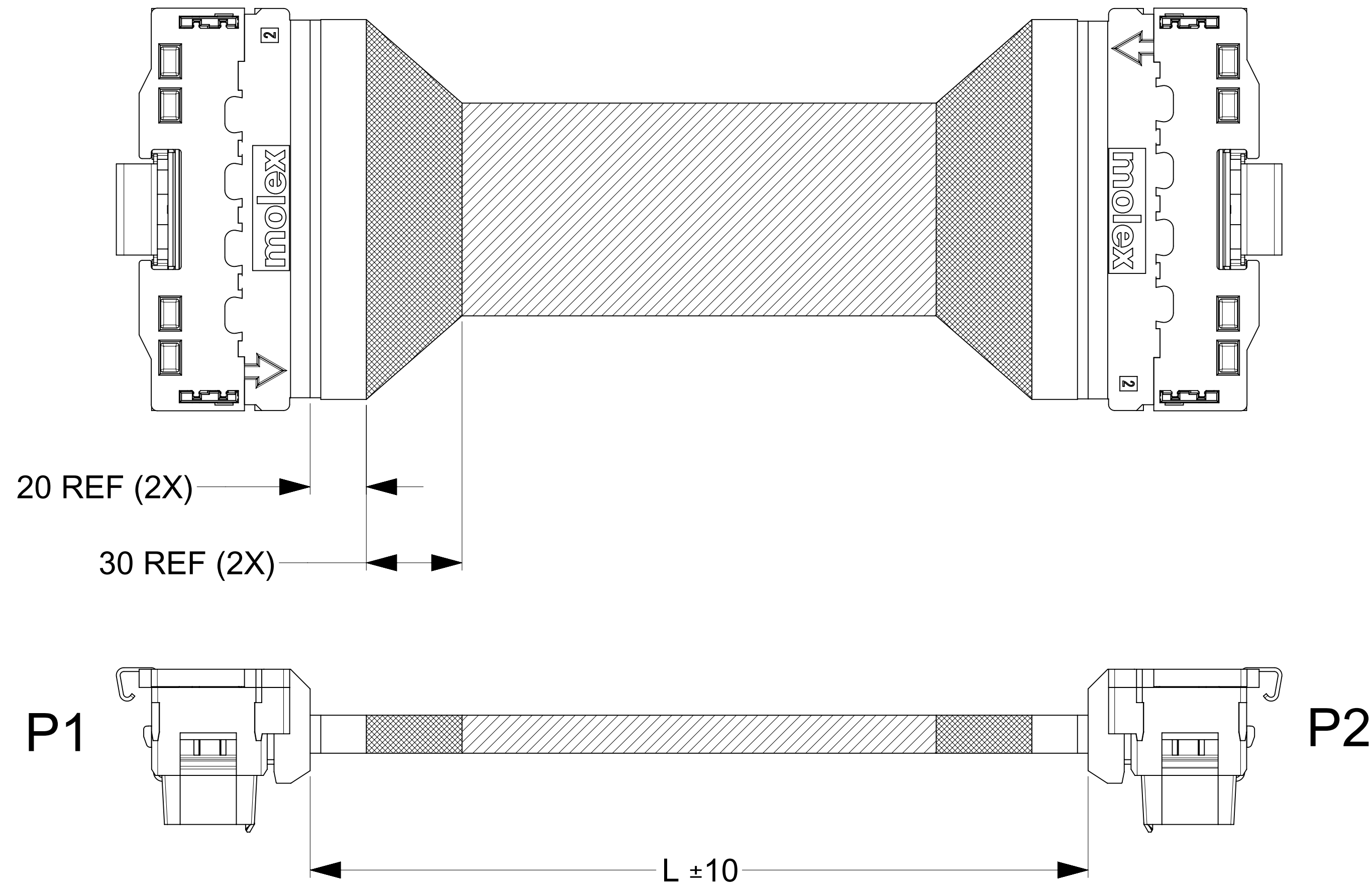
## 220930 SERIES WITH EXPANDO AND TAPE

| FINISHED GOODS PN | DESCRIPTION        | DIMENSION "L" |
|-------------------|--------------------|---------------|
| 2209291650        | RA PT DONOR 1650MM | 1650          |
| 2209291700        | RA PT DONOR 1700MM | 1700          |
| 2209291750        | RA PT DONOR 1750MM | 1750          |
| 2209291800        | RA PT DONOR 1800MM | 1800          |
| 2209291850        | RA PT DONOR 1850MM | 1850          |
| 2209291925        | RA PT DONOR 1925MM | 1925          |
| 2209292000        | RA PT DONOR 2000MM | 2000          |
| 2209292050        | RA PT DONOR 2050MM | 2050          |

| FINISHED GOODS PN | DESCRIPTION     | DIMENSION "L" |
|-------------------|-----------------|---------------|
| 2209301650        | RA PT FG 1650MM | 1650          |
| 2209301700        | RA PT FG 1700MM | 1700          |
| 2209301750        | RA PT FG 1750MM | 1750          |
| 2209301800        | RA PT FG 1800MM | 1800          |
| 2209301850        | RA PT FG 1850MM | 1850          |
| 2209301925        | RA PT FG 1925MM | 1925          |
| 2209302000        | RA PT FG 2000MM | 2000          |
| 2209302050        | RA PT FG 2050MM | 2050          |

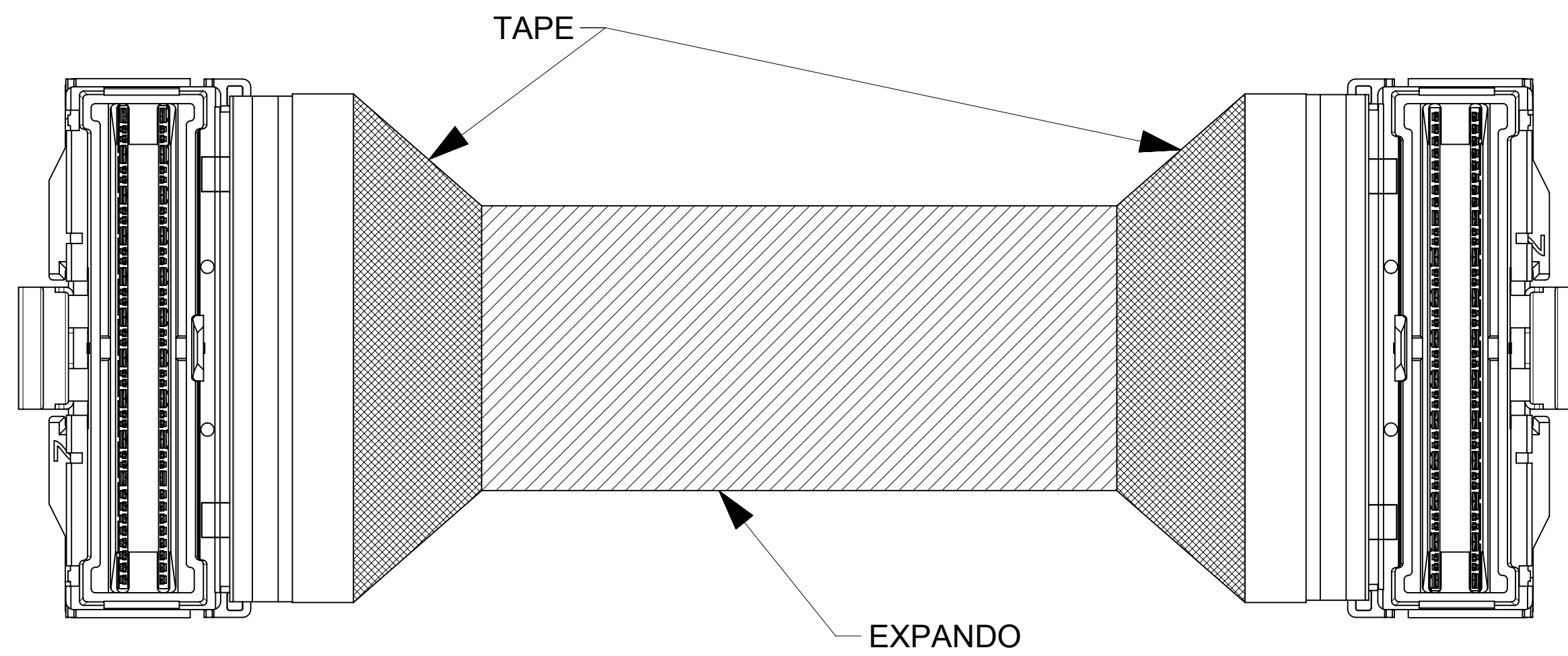
|  |   |                         |   |
|--|---|-------------------------|---|
| FUNCTIONAL SYMBOLS                                   | THIS DRAWING CONTAINS INFORMATION THAT IS PROPRIETARY TO MOLEX ELECTRONIC TECHNOLOGIES, LLC AND SHOULD NOT BE USED WITHOUT WRITTEN PERMISSION |                         |   |
|  | DIMENSION UNITS   | SCALE                   | CURRENT REV DESC:   |
| $F_A = 0$  | mm  | 1:1                     | <br>GENERAL MARKET NS PCIE CABLE<br>PRODUCT CUSTOMER DRAWING |
| $F_C = 0$  | GENERAL TOLERANCES (UNLESS SPECIFIED)   |                         |   |
| $F_P = 0$  | ANGULAR TOL   | ± °                     |   |
| DIVISIONAL SYMBOLS                                   | 4 PLACES  | ±                       |   |
|  | 3 PLACES  | ±                       |   |
|  | 2 PLACES  | ±                       |   |
| 1 PLACE  | ±   | INITIAL REVISION:       |   |
| 0 PLACES   | ±   | DRWN: MFAN08 2022/11/30 |   |
| DRAFT WHERE APPLICABLE MUST REMAIN WITHIN DIMENSIONS |   | THIRD ANGLE PROJECTION  | DRWN: ALVINZ 2022/12/01   |
|  |   | DRAWING                 | APPR: XQHE 2022/12/03   |
|  |   | SERIES                  | DRWN: MFAN08 2022/06/09   |
|  |   | MATERIAL NUMBER         | APPR: XQHE 2022/06/24   |
|  |   | CUSTOMER                | 2209291000  |
|  |   | SHEET NUMBER            | PSD 000 A2  |
|  |   |                         | SEE TABLE   |
|  |   |                         | 3 OF 10   |

# 220931 & 220932 SERIES RIGHT ANGLE WITH THUMB LATCH TYPE



NOTE:

SEE SHEET 2 FOR PINOUT INFORMATION.



|  |   |                        |  |
|--|---|------------------------|--|
| FUNCTIONAL SYMBOLS                                   | THIS DRAWING CONTAINS INFORMATION THAT IS PROPRIETARY TO MOLEX ELECTRONIC TECHNOLOGIES, LLC AND SHOULD NOT BE USED WITHOUT WRITTEN PERMISSION |                        |  |
|  | DIMENSION UNITS   | SCALE                  | CURRENT REV DESC:  |
| $F_A = 0$  | mm  | 4:1                    | EC NO: 730790<br>DRWN: MFAN08 2022/11/30<br>CHK'D: ALVINZ 2022/12/01<br>APPR: XQHE 2022/12/03<br>INITIAL REVISION:<br>DRWN: MFAN08 2022/06/09<br>APPR: XQHE 2022/06/24 |
| $F_C = 0$  | GENERAL TOLERANCES (UNLESS SPECIFIED)   |                        |  |
| $F_D = 0$  | ANGULAR TOL   | ± °                    |  |
| DIVISIONAL SYMBOLS                                   | 4 PLACES  | ±                      |  |
|  | 3 PLACES  | ±                      |  |
|  | 2 PLACES  | ±                      |  |
|  | 1 PLACE   | ±                      |  |
|  | 0 PLACES  | ±                      |  |
| DRAFT WHERE APPLICABLE MUST REMAIN WITHIN DIMENSIONS |   | THIRD ANGLE PROJECTION | DRAWING D-SIZE<br>SERIES 220929<br>MATERIAL NUMBER SEE TABLE<br>CUSTOMER<br>SHEET NUMBER 4 OF 10   |

**molex**

GENERAL MARKET NS PCIE CABLE

PRODUCT CUSTOMER DRAWING

|                 |          |          |          |
|-----------------|----------|----------|----------|
| DOCUMENT NUMBER | DOC TYPE | DOC PART | REVISION |
| 2209291000      | PSD      | 000      | A2       |



| FINISHED GOODS PN | DESCRIPTION        | DIMENSION "L" |
|-------------------|--------------------|---------------|
| 2209310250        | RA TL DONOR 250MM  | 250           |
| 2209310275        | RA TL DONOR 275MM  | 275           |
| 2209310300        | RA TL DONOR 300MM  | 300           |
| 2209310325        | RA TL DONOR 325MM  | 325           |
| 2209310350        | RA TL DONOR 350MM  | 350           |
| 2209310375        | RA TL DONOR 375MM  | 375           |
| 2209310400        | RA TL DONOR 400MM  | 400           |
| 2209310425        | RA TL DONOR 425MM  | 425           |
| 2209310450        | RA TL DONOR 450MM  | 450           |
| 2209310475        | RA TL DONOR 475MM  | 475           |
| 2209310500        | RA TL DONOR 500MM  | 500           |
| 2209310525        | RA TL DONOR 525MM  | 525           |
| 2209310550        | RA TL DONOR 550MM  | 550           |
| 2209310575        | RA TL DONOR 575MM  | 575           |
| 2209310600        | RA TL DONOR 600MM  | 600           |
| 2209310625        | RA TL DONOR 625MM  | 625           |
| 2209310650        | RA TL DONOR 650MM  | 650           |
| 2209310675        | RA TL DONOR 675MM  | 675           |
| 2209310700        | RA TL DONOR 700MM  | 700           |
| 2209310725        | RA TL DONOR 725MM  | 725           |
| 2209310750        | RA TL DONOR 750MM  | 750           |
| 2209310775        | RA TL DONOR 775MM  | 775           |
| 2209310800        | RA TL DONOR 800MM  | 800           |
| 2209310825        | RA TL DONOR 825MM  | 825           |
| 2209310850        | RA TL DONOR 850MM  | 850           |
| 2209310875        | RA TL DONOR 875MM  | 875           |
| 2209310900        | RA TL DONOR 900MM  | 900           |
| 2209310925        | RA TL DONOR 925MM  | 925           |
| 2209310950        | RA TL DONOR 950MM  | 950           |
| 2209310975        | RA TL DONOR 975MM  | 975           |
| 2209311000        | RA TL DONOR 1000MM | 1000          |
| 2209311025        | RA TL DONOR 1025MM | 1025          |
| 2209311050        | RA TL DONOR 1050MM | 1050          |
| 2209311075        | RA TL DONOR 1075MM | 1075          |
| 2209311100        | RA TL DONOR 1100MM | 1100          |
| 2209311125        | RA TL DONOR 1125MM | 1125          |
| 2209311150        | RA TL DONOR 1150MM | 1150          |
| 2209311175        | RA TL DONOR 1175MM | 1175          |
| 2209311200        | RA TL DONOR 1200MM | 1200          |
| 2209311225        | RA TL DONOR 1225MM | 1225          |
| 2209311250        | RA TL DONOR 1250MM | 1250          |
| 2209311275        | RA TL DONOR 1275MM | 1275          |
| 2209311300        | RA TL DONOR 1300MM | 1300          |
| 2209311325        | RA TL DONOR 1325MM | 1325          |
| 2209311350        | RA TL DONOR 1350MM | 1350          |
| 2209311375        | RA TL DONOR 1375MM | 1375          |
| 2209311400        | RA TL DONOR 1400MM | 1400          |
| 2209311425        | RA TL DONOR 1425MM | 1425          |
| 2209311450        | RA TL DONOR 1450MM | 1450          |
| 2209311475        | RA TL DONOR 1475MM | 1475          |
| 2209311500        | RA TL DONOR 1500MM | 1500          |
| 2209311550        | RA TL DONOR 1550MM | 1550          |
| 2209311600        | RA TL DONOR 1600MM | 1600          |

| FINISHED GOODS PN | DESCRIPTION     | DIMENSION "L" |
|-------------------|-----------------|---------------|
| 2209320250        | RA TL FG 250MM  | 250           |
| 2209320275        | RA TL FG 275MM  | 275           |
| 2209320300        | RA TL FG 300MM  | 300           |
| 2209320325        | RA TL FG 325MM  | 325           |
| 2209320350        | RA TL FG 350MM  | 350           |
| 2209320375        | RA TL FG 375MM  | 375           |
| 2209320400        | RA TL FG 400MM  | 400           |
| 2209320425        | RA TL FG 425MM  | 425           |
| 2209320450        | RA TL FG 450MM  | 450           |
| 2209320475        | RA TL FG 475MM  | 475           |
| 2209320500        | RA TL FG 500MM  | 500           |
| 2209320525        | RA TL FG 525MM  | 525           |
| 2209320550        | RA TL FG 550MM  | 550           |
| 2209320575        | RA TL FG 575MM  | 575           |
| 2209320600        | RA TL FG 600MM  | 600           |
| 2209320625        | RA TL FG 625MM  | 625           |
| 2209320650        | RA TL FG 650MM  | 650           |
| 2209320675        | RA TL FG 675MM  | 675           |
| 2209320700        | RA TL FG 700MM  | 700           |
| 2209320725        | RA TL FG 725MM  | 725           |
| 2209320750        | RA TL FG 750MM  | 750           |
| 2209320775        | RA TL FG 775MM  | 775           |
| 2209320800        | RA TL FG 800MM  | 800           |
| 2209320825        | RA TL FG 825MM  | 825           |
| 2209320850        | RA TL FG 850MM  | 850           |
| 2209320875        | RA TL FG 875MM  | 875           |
| 2209320900        | RA TL FG 900MM  | 900           |
| 2209320925        | RA TL FG 925MM  | 925           |
| 2209320950        | RA TL FG 950MM  | 950           |
| 2209320975        | RA TL FG 975MM  | 975           |
| 2209321000        | RA TL FG 1000MM | 1000          |
| 2209321025        | RA TL FG 1025MM | 1025          |
| 2209321050        | RA TL FG 1050MM | 1050          |
| 2209321075        | RA TL FG 1075MM | 1075          |
| 2209321100        | RA TL FG 1100MM | 1100          |
| 2209321125        | RA TL FG 1125MM | 1125          |
| 2209321150        | RA TL FG 1150MM | 1150          |
| 2209321175        | RA TL FG 1175MM | 1175          |
| 2209321200        | RA TL FG 1200MM | 1200          |
| 2209321225        | RA TL FG 1225MM | 1225          |
| 2209321250        | RA TL FG 1250MM | 1250          |
| 2209321275        | RA TL FG 1275MM | 1275          |
| 2209321300        | RA TL FG 1300MM | 1300          |
| 2209321325        | RA TL FG 1325MM | 1325          |
| 2209321350        | RA TL FG 1350MM | 1350          |
| 2209321375        | RA TL FG 1375MM | 1375          |
| 2209321400        | RA TL FG 1400MM | 1400          |
| 2209321425        | RA TL FG 1425MM | 1425          |
| 2209321450        | RA TL FG 1450MM | 1450          |
| 2209321475        | RA TL FG 1475MM | 1475          |
| 2209321500        | RA TL FG 1500MM | 1500          |
| 2209321550        | RA TL FG 1550MM | 1550          |
| 2209321600        | RA TL FG 1600MM | 1600          |

## 220931 SERIES WITHOUT EXPANDO AND TAPE 220932 SERIES WITH EXPANDO AND TAPE

| FINISHED GOODS PN | DESCRIPTION        | DIMENSION "L" |
|-------------------|--------------------|---------------|
| 2209311650        | RA TL DONOR 1650MM | 1650          |
| 2209311700        | RA TL DONOR 1700MM | 1700          |
| 2209311750        | RA TL DONOR 1750MM | 1750          |
| 2209311800        | RA TL DONOR 1800MM | 1800          |
| 2209311850        | RA TL DONOR 1850MM | 1850          |
| 2209311925        | RA TL DONOR 1925MM | 1925          |
| 2209312000        | RA TL DONOR 2000MM | 2000          |
| 2209312050        | RA TL DONOR 2050MM | 2050          |

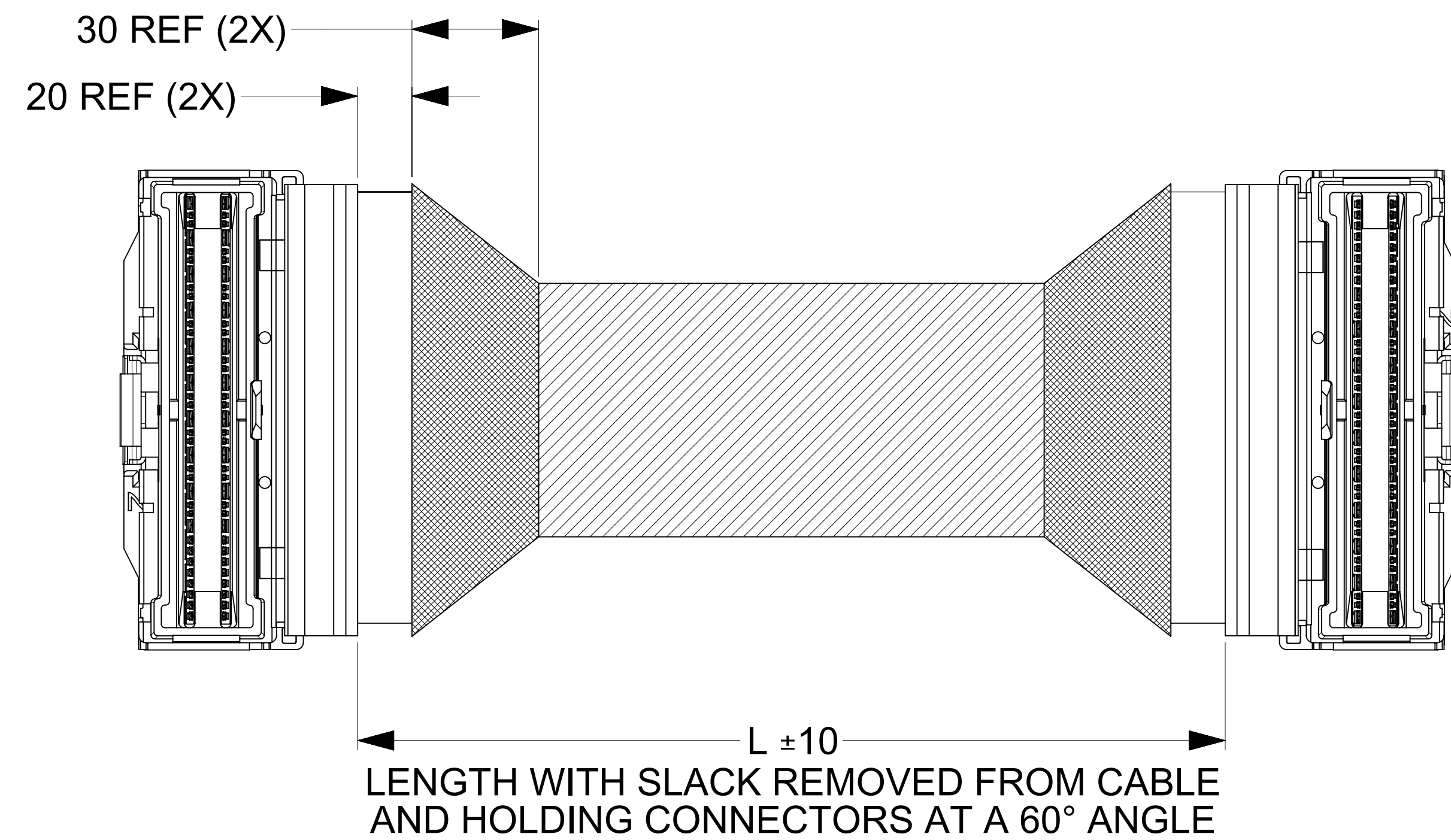
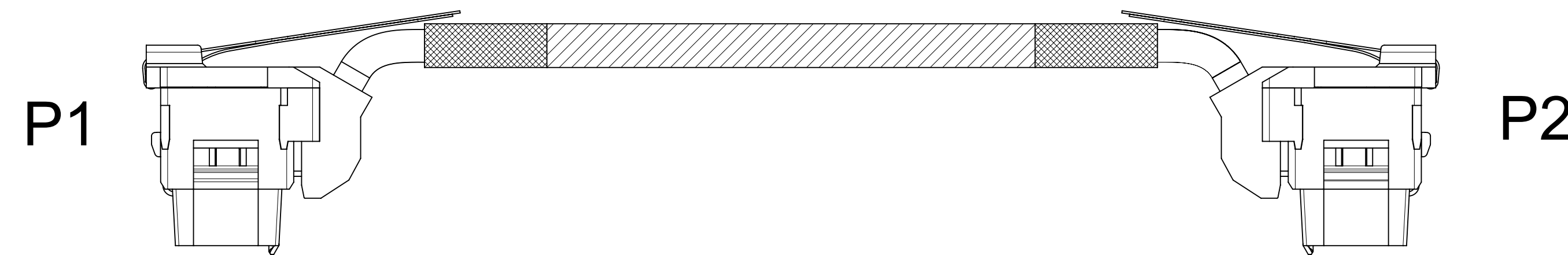
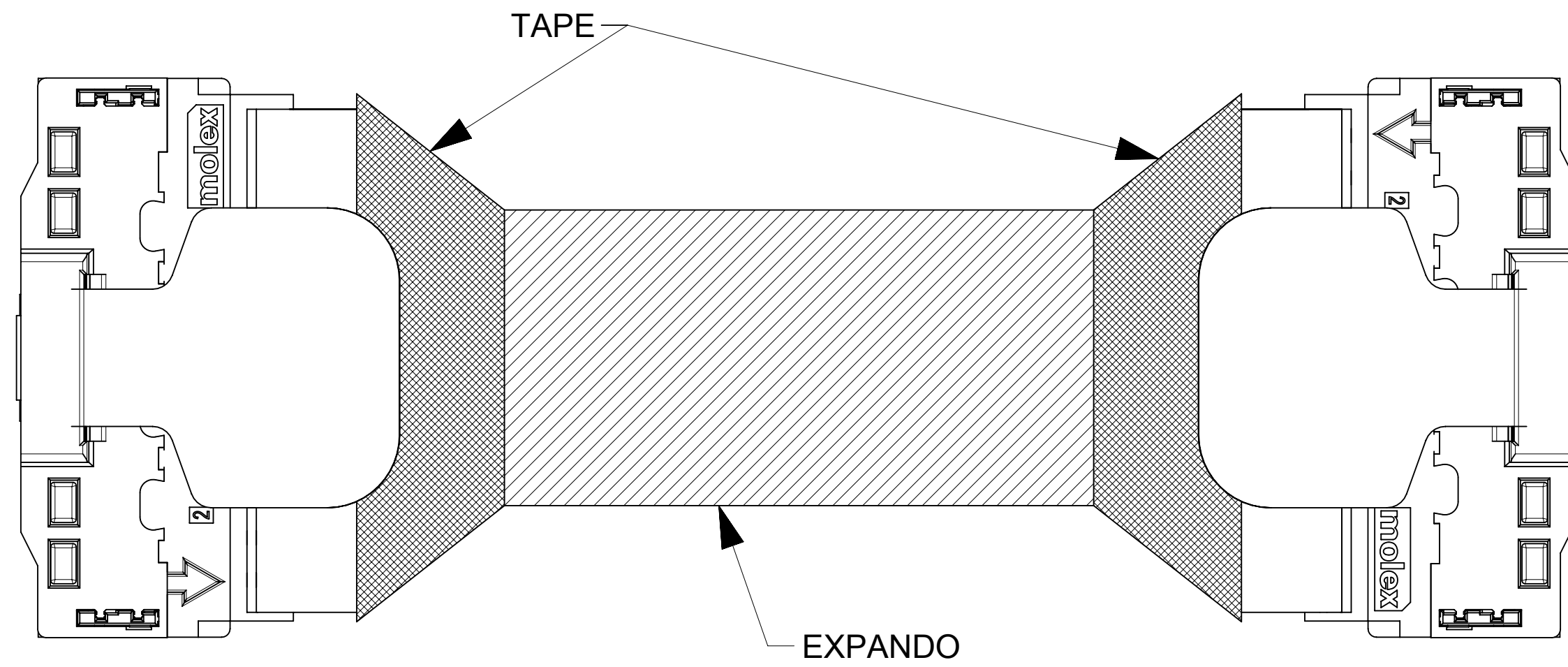
| FINISHED GOODS PN | DESCRIPTION     | DIMENSION "L" |
|-------------------|-----------------|---------------|
| 2209321650        | RA TL FG 1650MM | 1650          |
| 2209321700        | RA TL FG 1700MM | 1700          |
| 2209321750        | RA TL FG 1750MM | 1750          |
| 2209321800        | RA TL FG 1800MM | 1800          |
| 2209321850        | RA TL FG 1850MM | 1850          |
| 2209321925        | RA TL FG 1925MM | 1925          |
| 2209322000        | RA TL FG 2000MM | 2000          |
| 2209322050        | RA TL FG 2050MM | 2050          |

|  |   |  |  |
|--|---|--|--|
| FUNCTIONAL SYMBOLS<br>$\nabla_A = 0$<br>$\nabla_E = 0$<br>$\nabla_P = 0$<br>DIVISIONAL SYMBOLS | THIS DRAWING CONTAINS INFORMATION THAT IS PROPRIETARY TO MOLEX ELECTRONIC TECHNOLOGIES, LLC AND SHOULD NOT BE USED WITHOUT WRITTEN PERMISSION<br>DIMENSION UNITS: <b>mm</b> SCALE: <b>1:1</b><br>GENERAL TOLERANCES (UNLESS SPECIFIED)<br>ANGULAR TOL: $\pm$ °<br>4 PLACES $\pm$<br>3 PLACES $\pm$<br>2 PLACES $\pm$<br>1 PLACE $\pm$<br>0 PLACES $\pm$<br>DRAFT WHERE APPLICABLE MUST REMAIN WITHIN DIMENSIONS | CURRENT REV DESC:<br><br>EC NO: 730790<br>DRWN: MFAN08    2022/11/30<br>CHK'D: ALVINZ    2022/12/01<br>APPR: XQHE    2022/12/03<br>INITIAL REVISION:<br>DRWN: MFAN08    2022/06/09<br>APPR: XQHE    2022/06/24 | <br>GENERAL MARKET NS PCIE CABLE<br>PRODUCT CUSTOMER DRAWING     |
| DOCUMENT NUMBER: <b>2209291000</b> DOC TYPE: PSD    DOC PART: 000    REVISION: A2              |   |  | MATERIAL NUMBER: SEE TABLE    CUSTOMER:    SHEET NUMBER: 5 OF 10 |

# 220933 & 220934 SERIES ANGLE EXIT WITH PULL TAB TYPE

NOTE:

SEE SHEET 2 FOR PINOUT INFORMATION.



|  |   |                        |                            |
|--|---|------------------------|----------------------------|
| FUNCTIONAL SYMBOLS                                   | THIS DRAWING CONTAINS INFORMATION THAT IS PROPRIETARY TO MOLEX ELECTRONIC TECHNOLOGIES, LLC AND SHOULD NOT BE USED WITHOUT WRITTEN PERMISSION |                        |                            |
|  | DIMENSION UNITS   | SCALE                  | CURRENT REV DESC:          |
| $\nabla_A = 0$                                       | mm  | 4:1                    |                            |
| $\nabla_C = 0$                                       | GENERAL TOLERANCES (UNLESS SPECIFIED)   |                        |                            |
| $\nabla_D = 0$                                       | ANGULAR TOL   | ± °                    |                            |
| DIVISIONAL SYMBOLS                                   | 4 PLACES  | ±                      | EC NO: 730790              |
|  | 3 PLACES  | ±                      | DRWN: MFAN08 2022/11/30    |
|  | 2 PLACES  | ±                      | CHK'D: ALVINZ 2022/12/01   |
|  | 1 PLACE   | ±                      | APPR: XQHE 2022/12/03      |
|  | 0 PLACES  | ±                      | INITIAL REVISION:          |
| DRAFT WHERE APPLICABLE MUST REMAIN WITHIN DIMENSIONS |   | THIRD ANGLE PROJECTION | DRAWING                    |
|  |   |                        | SERIES                     |
|  |   | D-SIZE                 | 220929                     |
|  |   | MATERIAL NUMBER        | CUSTOMER                   |
|  |   | SEE TABLE              |                            |
|  |   | DOCUMENT NUMBER        | DOC TYPE DOC PART REVISION |
|  |   | 2209291000             | PSD 000 A2                 |
|  |   |                        | SHEET NUMBER               |
|  |   |                        | 6 OF 10                    |



| FINISHED GOODS PN | DESCRIPTION        | DIMENSION "L" |
|-------------------|--------------------|---------------|
| 2209330250        | AE PT DONOR 250MM  | 250           |
| 2209330275        | AE PT DONOR 275MM  | 275           |
| 2209330300        | AE PT DONOR 300MM  | 300           |
| 2209330325        | AE PT DONOR 325MM  | 325           |
| 2209330350        | AE PT DONOR 350MM  | 350           |
| 2209330375        | AE PT DONOR 375MM  | 375           |
| 2209330400        | AE PT DONOR 400MM  | 400           |
| 2209330425        | AE PT DONOR 425MM  | 425           |
| 2209330450        | AE PT DONOR 450MM  | 450           |
| 2209330475        | AE PT DONOR 475MM  | 475           |
| 2209330500        | AE PT DONOR 500MM  | 500           |
| 2209330525        | AE PT DONOR 525MM  | 525           |
| 2209330550        | AE PT DONOR 550MM  | 550           |
| 2209330575        | AE PT DONOR 575MM  | 575           |
| 2209330600        | AE PT DONOR 600MM  | 600           |
| 2209330625        | AE PT DONOR 625MM  | 625           |
| 2209330650        | AE PT DONOR 650MM  | 650           |
| 2209330675        | AE PT DONOR 675MM  | 675           |
| 2209330700        | AE PT DONOR 700MM  | 700           |
| 2209330725        | AE PT DONOR 725MM  | 725           |
| 2209330750        | AE PT DONOR 750MM  | 750           |
| 2209330775        | AE PT DONOR 775MM  | 775           |
| 2209330800        | AE PT DONOR 800MM  | 800           |
| 2209330825        | AE PT DONOR 825MM  | 825           |
| 2209330850        | AE PT DONOR 850MM  | 850           |
| 2209330875        | AE PT DONOR 875MM  | 875           |
| 2209330900        | AE PT DONOR 900MM  | 900           |
| 2209330925        | AE PT DONOR 925MM  | 925           |
| 2209330950        | AE PT DONOR 950MM  | 950           |
| 2209330975        | AE PT DONOR 975MM  | 975           |
| 2209331000        | AE PT DONOR 1000MM | 1000          |
| 2209331025        | AE PT DONOR 1025MM | 1025          |
| 2209331050        | AE PT DONOR 1050MM | 1050          |
| 2209331075        | AE PT DONOR 1075MM | 1075          |
| 2209331100        | AE PT DONOR 1100MM | 1100          |
| 2209331125        | AE PT DONOR 1125MM | 1125          |
| 2209331150        | AE PT DONOR 1150MM | 1150          |
| 2209331175        | AE PT DONOR 1175MM | 1175          |
| 2209331200        | AE PT DONOR 1200MM | 1200          |
| 2209331225        | AE PT DONOR 1225MM | 1225          |
| 2209331250        | AE PT DONOR 1250MM | 1250          |
| 2209331275        | AE PT DONOR 1275MM | 1275          |
| 2209331300        | AE PT DONOR 1300MM | 1300          |
| 2209331325        | AE PT DONOR 1325MM | 1325          |
| 2209331350        | AE PT DONOR 1350MM | 1350          |
| 2209331375        | AE PT DONOR 1375MM | 1375          |
| 2209331400        | AE PT DONOR 1400MM | 1400          |
| 2209331425        | AE PT DONOR 1425MM | 1425          |
| 2209331450        | AE PT DONOR 1450MM | 1450          |
| 2209331475        | AE PT DONOR 1475MM | 1475          |
| 2209331500        | AE PT DONOR 1500MM | 1500          |
| 2209331550        | AE PT DONOR 1550MM | 1550          |
| 2209331600        | AE PT DONOR 1600MM | 1600          |

| FINISHED GOODS PN | DESCRIPTION     | DIMENSION "L" |
|-------------------|-----------------|---------------|
| 2209340250        | AE PT FG 250MM  | 250           |
| 2209340275        | AE PT FG 275MM  | 275           |
| 2209340300        | AE PT FG 300MM  | 300           |
| 2209340325        | AE PT FG 325MM  | 325           |
| 2209340350        | AE PT FG 350MM  | 350           |
| 2209340375        | AE PT FG 375MM  | 375           |
| 2209340400        | AE PT FG 400MM  | 400           |
| 2209340425        | AE PT FG 425MM  | 425           |
| 2209340450        | AE PT FG 450MM  | 450           |
| 2209340475        | AE PT FG 475MM  | 475           |
| 2209340500        | AE PT FG 500MM  | 500           |
| 2209340525        | AE PT FG 525MM  | 525           |
| 2209340550        | AE PT FG 550MM  | 550           |
| 2209340575        | AE PT FG 575MM  | 575           |
| 2209340600        | AE PT FG 600MM  | 600           |
| 2209340625        | AE PT FG 625MM  | 625           |
| 2209340650        | AE PT FG 650MM  | 650           |
| 2209340675        | AE PT FG 675MM  | 675           |
| 2209340700        | AE PT FG 700MM  | 700           |
| 2209340725        | AE PT FG 725MM  | 725           |
| 2209340750        | AE PT FG 750MM  | 750           |
| 2209340775        | AE PT FG 775MM  | 775           |
| 2209340800        | AE PT FG 800MM  | 800           |
| 2209340825        | AE PT FG 825MM  | 825           |
| 2209340850        | AE PT FG 850MM  | 850           |
| 2209340875        | AE PT FG 875MM  | 875           |
| 2209340900        | AE PT FG 900MM  | 900           |
| 2209340925        | AE PT FG 925MM  | 925           |
| 2209340950        | AE PT FG 950MM  | 950           |
| 2209340975        | AE PT FG 975MM  | 975           |
| 2209341000        | AE PT FG 1000MM | 1000          |
| 2209341025        | AE PT FG 1025MM | 1025          |
| 2209341050        | AE PT FG 1050MM | 1050          |
| 2209341075        | AE PT FG 1075MM | 1075          |
| 2209341100        | AE PT FG 1100MM | 1100          |
| 2209341125        | AE PT FG 1125MM | 1125          |
| 2209341150        | AE PT FG 1150MM | 1150          |
| 2209341175        | AE PT FG 1175MM | 1175          |
| 2209341200        | AE PT FG 1200MM | 1200          |
| 2209341225        | AE PT FG 1225MM | 1225          |
| 2209341250        | AE PT FG 1250MM | 1250          |
| 2209341275        | AE PT FG 1275MM | 1275          |
| 2209341300        | AE PT FG 1300MM | 1300          |
| 2209341325        | AE PT FG 1325MM | 1325          |
| 2209341350        | AE PT FG 1350MM | 1350          |
| 2209341375        | AE PT FG 1375MM | 1375          |
| 2209341400        | AE PT FG 1400MM | 1400          |
| 2209341425        | AE PT FG 1425MM | 1425          |
| 2209341450        | AE PT FG 1450MM | 1450          |
| 2209341475        | AE PT FG 1475MM | 1475          |
| 2209341500        | AE PT FG 1500MM | 1500          |
| 2209341550        | AE PT FG 1550MM | 1550          |
| 2209341600        | AE PT FG 1600MM | 1600          |

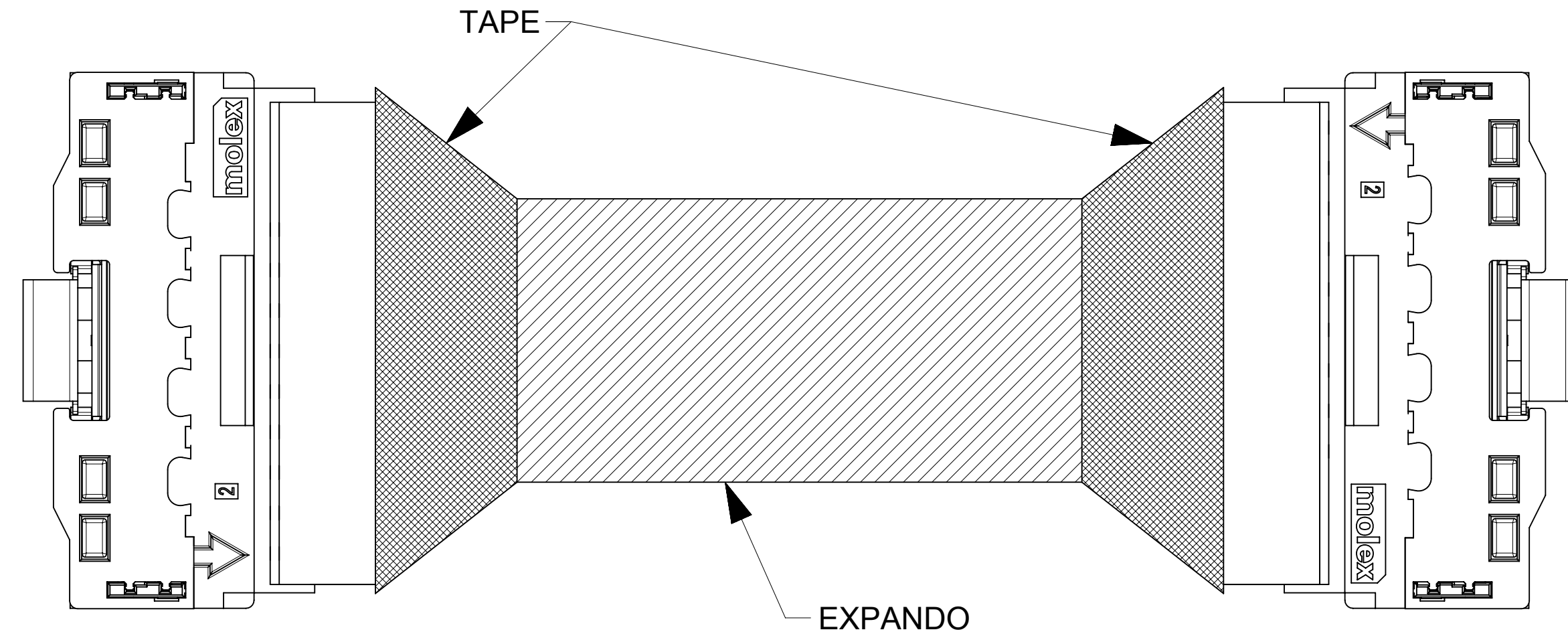
## 220933 SERIES WITHOUT EXPANDO AND TAPE 220934 SERIES WITH EXPANDO AND TAPE

| FINISHED GOODS PN | DESCRIPTION        | DIMENSION "L" |
|-------------------|--------------------|---------------|
| 2209331650        | AE PT DONOR 1650MM | 1650          |
| 2209331700        | AE PT DONOR 1700MM | 1700          |
| 2209331750        | AE PT DONOR 1750MM | 1750          |
| 2209331800        | AE PT DONOR 1800MM | 1800          |
| 2209331850        | AE PT DONOR 1850MM | 1850          |
| 2209331925        | AE PT DONOR 1925MM | 1925          |
| 2209332000        | AE PT DONOR 2000MM | 2000          |
| 2209332050        | AE PT DONOR 2050MM | 2050          |

| FINISHED GOODS PN | DESCRIPTION     | DIMENSION "L" |
|-------------------|-----------------|---------------|
| 2209341650        | AE PT FG 1650MM | 1650          |
| 2209341700        | AE PT FG 1700MM | 1700          |
| 2209341750        | AE PT FG 1750MM | 1750          |
| 2209341800        | AE PT FG 1800MM | 1800          |
| 2209341850        | AE PT FG 1850MM | 1850          |
| 2209341925        | AE PT FG 1925MM | 1925          |
| 2209342000        | AE PT FG 2000MM | 2000          |
| 2209342050        | AE PT FG 2050MM | 2050          |

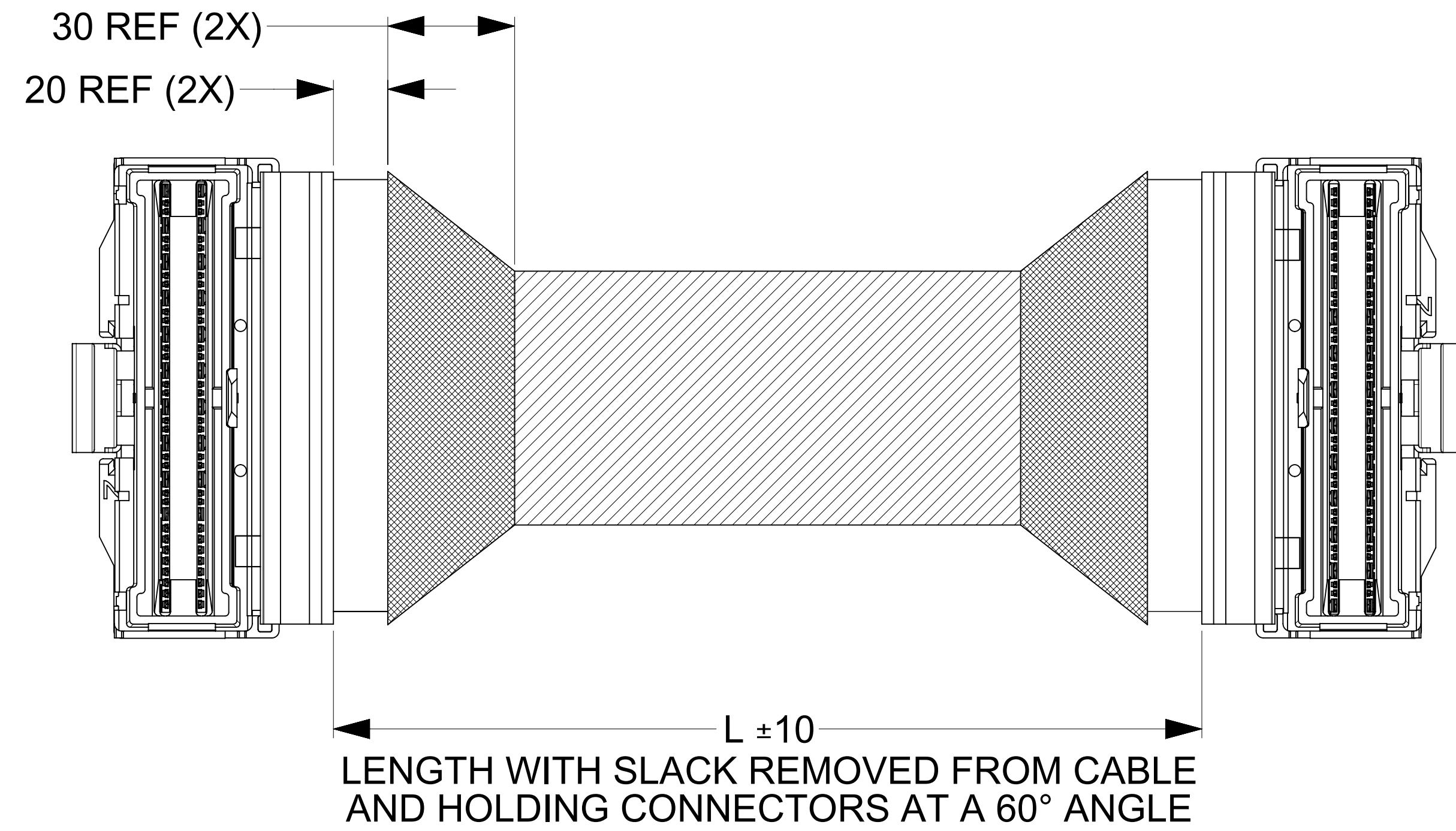
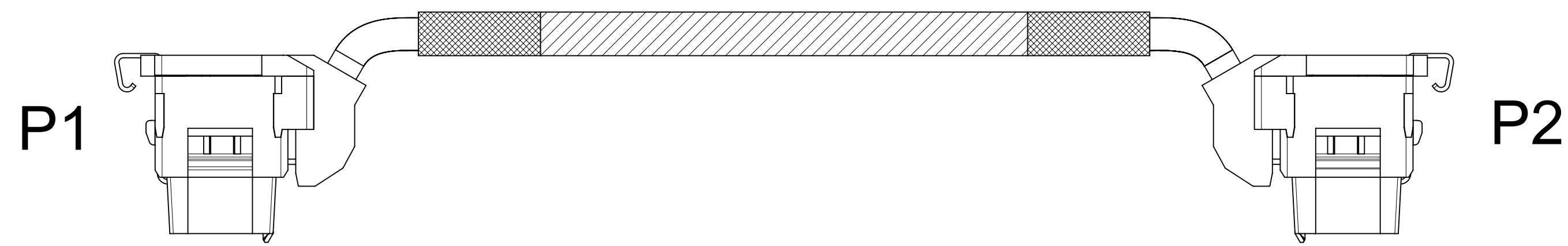
|   |   |   |   |  |                 |          |              |
|---|---|---|---|--|-----------------|----------|--------------|
| FUNCTIONAL SYMBOLS<br>$\frac{F}{A} = 0$<br>$\frac{F}{C} = 0$<br>$\frac{F}{P} = 0$<br>DIVISIONAL SYMBOLS | THIS DRAWING CONTAINS INFORMATION THAT IS PROPRIETARY TO MOLEX ELECTRONIC TECHNOLOGIES, LLC AND SHOULD NOT BE USED WITHOUT WRITTEN PERMISSION |   | CURRENT REV DESC:   |  |                 |          |              |
|   | DIMENSION UNITS   | SCALE   | <br>GENERAL MARKET NS PCIE CABLE<br>PRODUCT CUSTOMER DRAWING |  |                 |          |              |
|   | mm  | 1:1   |   |  |                 |          |              |
|   | GENERAL TOLERANCES (UNLESS SPECIFIED)   |   |   |  |                 |          |              |
| ANGULAR TOL   | ± °   |   |   |  |                 |          |              |
| 4 PLACES  | ±   | EC NO: 730790   | 2022/11/30  | DOCUMENT NUMBER<br><b>2209291000</b><br>DOC TYPE DOC PART REVISION<br>PSD 000 A2 |                 |          |              |
| 3 PLACES  | ±   | DRWN: MFAN08  | 2022/12/01  |  |                 |          |              |
| 2 PLACES  | ±   | CHK'D: ALVINZ   | 2022/12/03  |  |                 |          |              |
| 1 PLACE   | ±   | APPR: XQHE  |   | INITIAL REVISION:<br>DRWN: MFAN08 2022/06/09<br>APPR: XQHE 2022/06/24            |                 |          |              |
| 0 PLACES  | ±   |   |   |  |                 |          |              |
| DRAFT WHERE APPLICABLE MUST REMAIN WITHIN DIMENSIONS  |   | THIRD ANGLE PROJECTION  | DRAWING   | SERIES   | MATERIAL NUMBER | CUSTOMER | SHEET NUMBER |
|   |   |  | D-SIZE  | 220929   | SEE TABLE       |          | 7 OF 10      |

# 220935 & 220936 SERIES ANGLE EXIT WITH THUMB LATCH TYPE



NOTE:

SEE SHEET 2 FOR PINOUT INFORMATION.



|  |   |                        |  |
|--|---|------------------------|--|
| FUNCTIONAL SYMBOLS                                   | THIS DRAWING CONTAINS INFORMATION THAT IS PROPRIETARY TO MOLEX ELECTRONIC TECHNOLOGIES, LLC AND SHOULD NOT BE USED WITHOUT WRITTEN PERMISSION |                        |  |
|  | DIMENSION UNITS   | SCALE                  | CURRENT REV DESC:  |
| $\nabla_A = 0$                                       | mm  | 4:1                    | EC NO: 730790<br>DRWN: MFAN08 2022/11/30<br>CHK'D: ALVINZ 2022/12/01<br>APPR: XQHE 2022/12/03<br>INITIAL REVISION:<br>DRWN: MFAN08 2022/06/09<br>APPR: XQHE 2022/06/24 |
| $\nabla_C = 0$                                       | GENERAL TOLERANCES (UNLESS SPECIFIED)   |                        |  |
| $\nabla_D = 0$                                       | ANGULAR TOL   | ± °                    |  |
| DIVISIONAL SYMBOLS                                   | 4 PLACES  | ±                      |  |
|  | 3 PLACES  | ±                      |  |
|  | 2 PLACES  | ±                      |  |
|  | 1 PLACE   | ±                      |  |
|  | 0 PLACES  | ±                      |  |
| DRAFT WHERE APPLICABLE MUST REMAIN WITHIN DIMENSIONS |   | THIRD ANGLE PROJECTION | DRAWING: D-SIZE<br>SERIES: 220929<br>MATERIAL NUMBER: SEE TABLE<br>CUSTOMER:   |
|  |   |                        | DOCUMENT NUMBER: 2209291000<br>DOC TYPE: PSD<br>DOC PART: 000<br>REVISION: A2  |
| PRODUCT CUSTOMER DRAWING                             |   |                        | SHEET NUMBER: 8 OF 10  |



| FINISHED GOODS PN | DESCRIPTION        | DIMENSION "L" |
|-------------------|--------------------|---------------|
| 2209350250        | AE TL DONOR 250MM  | 250           |
| 2209350275        | AE TL DONOR 275MM  | 275           |
| 2209350300        | AE TL DONOR 300MM  | 300           |
| 2209350325        | AE TL DONOR 325MM  | 325           |
| 2209350350        | AE TL DONOR 350MM  | 350           |
| 2209350375        | AE TL DONOR 375MM  | 375           |
| 2209350400        | AE TL DONOR 400MM  | 400           |
| 2209350425        | AE TL DONOR 425MM  | 425           |
| 2209350450        | AE TL DONOR 450MM  | 450           |
| 2209350475        | AE TL DONOR 475MM  | 475           |
| 2209350500        | AE TL DONOR 500MM  | 500           |
| 2209350525        | AE TL DONOR 525MM  | 525           |
| 2209350550        | AE TL DONOR 550MM  | 550           |
| 2209350575        | AE TL DONOR 575MM  | 575           |
| 2209350600        | AE TL DONOR 600MM  | 600           |
| 2209350625        | AE TL DONOR 625MM  | 625           |
| 2209350650        | AE TL DONOR 650MM  | 650           |
| 2209350675        | AE TL DONOR 675MM  | 675           |
| 2209350700        | AE TL DONOR 700MM  | 700           |
| 2209350725        | AE TL DONOR 725MM  | 725           |
| 2209350750        | AE TL DONOR 750MM  | 750           |
| 2209350775        | AE TL DONOR 775MM  | 775           |
| 2209350800        | AE TL DONOR 800MM  | 800           |
| 2209350825        | AE TL DONOR 825MM  | 825           |
| 2209350850        | AE TL DONOR 850MM  | 850           |
| 2209350875        | AE TL DONOR 875MM  | 875           |
| 2209350900        | AE TL DONOR 900MM  | 900           |
| 2209350925        | AE TL DONOR 925MM  | 925           |
| 2209350950        | AE TL DONOR 950MM  | 950           |
| 2209350975        | AE TL DONOR 975MM  | 975           |
| 2209351000        | AE TL DONOR 1000MM | 1000          |
| 2209351025        | AE TL DONOR 1025MM | 1025          |
| 2209351050        | AE TL DONOR 1050MM | 1050          |
| 2209351075        | AE TL DONOR 1075MM | 1075          |
| 2209351100        | AE TL DONOR 1100MM | 1100          |
| 2209351125        | AE TL DONOR 1125MM | 1125          |
| 2209351150        | AE TL DONOR 1150MM | 1150          |
| 2209351175        | AE TL DONOR 1175MM | 1175          |
| 2209351200        | AE TL DONOR 1200MM | 1200          |
| 2209351225        | AE TL DONOR 1225MM | 1225          |
| 2209351250        | AE TL DONOR 1250MM | 1250          |
| 2209351275        | AE TL DONOR 1275MM | 1275          |
| 2209351300        | AE TL DONOR 1300MM | 1300          |
| 2209351325        | AE TL DONOR 1325MM | 1325          |
| 2209351350        | AE TL DONOR 1350MM | 1350          |
| 2209351375        | AE TL DONOR 1375MM | 1375          |
| 2209351400        | AE TL DONOR 1400MM | 1400          |
| 2209351425        | AE TL DONOR 1425MM | 1425          |
| 2209351450        | AE TL DONOR 1450MM | 1450          |
| 2209351475        | AE TL DONOR 1475MM | 1475          |
| 2209351500        | AE TL DONOR 1500MM | 1500          |
| 2209351550        | AE TL DONOR 1550MM | 1550          |
| 2209351600        | AE TL DONOR 1600MM | 1600          |

| FINISHED GOODS PN | DESCRIPTION     | DIMENSION "L" |
|-------------------|-----------------|---------------|
| 2209360250        | AE TL FG 250MM  | 250           |
| 2209360275        | AE TL FG 275MM  | 275           |
| 2209360300        | AE TL FG 300MM  | 300           |
| 2209360325        | AE TL FG 325MM  | 325           |
| 2209360350        | AE TL FG 350MM  | 350           |
| 2209360375        | AE TL FG 375MM  | 375           |
| 2209360400        | AE TL FG 400MM  | 400           |
| 2209360425        | AE TL FG 425MM  | 425           |
| 2209360450        | AE TL FG 450MM  | 450           |
| 2209360475        | AE TL FG 475MM  | 475           |
| 2209360500        | AE TL FG 500MM  | 500           |
| 2209360525        | AE TL FG 525MM  | 525           |
| 2209360550        | AE TL FG 550MM  | 550           |
| 2209360575        | AE TL FG 575MM  | 575           |
| 2209360600        | AE TL FG 600MM  | 600           |
| 2209360625        | AE TL FG 625MM  | 625           |
| 2209360650        | AE TL FG 650MM  | 650           |
| 2209360675        | AE TL FG 675MM  | 675           |
| 2209360700        | AE TL FG 700MM  | 700           |
| 2209360725        | AE TL FG 725MM  | 725           |
| 2209360750        | AE TL FG 750MM  | 750           |
| 2209360775        | AE TL FG 775MM  | 775           |
| 2209360800        | AE TL FG 800MM  | 800           |
| 2209360825        | AE TL FG 825MM  | 825           |
| 2209360850        | AE TL FG 850MM  | 850           |
| 2209360875        | AE TL FG 875MM  | 875           |
| 2209360900        | AE TL FG 900MM  | 900           |
| 2209360925        | AE TL FG 925MM  | 925           |
| 2209360950        | AE TL FG 950MM  | 950           |
| 2209360975        | AE TL FG 975MM  | 975           |
| 2209361000        | AE TL FG 1000MM | 1000          |
| 2209361025        | AE TL FG 1025MM | 1025          |
| 2209361050        | AE TL FG 1050MM | 1050          |
| 2209361075        | AE TL FG 1075MM | 1075          |
| 2209361100        | AE TL FG 1100MM | 1100          |
| 2209361125        | AE TL FG 1125MM | 1125          |
| 2209361150        | AE TL FG 1150MM | 1150          |
| 2209361175        | AE TL FG 1175MM | 1175          |
| 2209361200        | AE TL FG 1200MM | 1200          |
| 2209361225        | AE TL FG 1225MM | 1225          |
| 2209361250        | AE TL FG 1250MM | 1250          |
| 2209361275        | AE TL FG 1275MM | 1275          |
| 2209361300        | AE TL FG 1300MM | 1300          |
| 2209361325        | AE TL FG 1325MM | 1325          |
| 2209361350        | AE TL FG 1350MM | 1350          |
| 2209361375        | AE TL FG 1375MM | 1375          |
| 2209361400        | AE TL FG 1400MM | 1400          |
| 2209361425        | AE TL FG 1425MM | 1425          |
| 2209361450        | AE TL FG 1450MM | 1450          |
| 2209361475        | AE TL FG 1475MM | 1475          |
| 2209361500        | AE TL FG 1500MM | 1500          |
| 2209361550        | AE TL FG 1550MM | 1550          |
| 2209361600        | AE TL FG 1600MM | 1600          |

## 220935 SERIES WITHOUT EXPANDO AND TAPE 220936 SERIES WITH EXPANDO AND TAPE

| FINISHED GOODS PN | DESCRIPTION        | DIMENSION "L" |
|-------------------|--------------------|---------------|
| 2209351650        | AE TL DONOR 1650MM | 1650          |
| 2209351700        | AE TL DONOR 1700MM | 1700          |
| 2209351750        | AE TL DONOR 1750MM | 1750          |
| 2209351800        | AE TL DONOR 1800MM | 1800          |
| 2209351850        | AE TL DONOR 1850MM | 1850          |
| 2209351925        | AE TL DONOR 1925MM | 1925          |
| 2209352000        | AE TL DONOR 2000MM | 2000          |
| 2209352050        | AE TL DONOR 2050MM | 2050          |

| FINISHED GOODS PN | DESCRIPTION     | DIMENSION "L" |
|-------------------|-----------------|---------------|
| 2209361650        | AE TL FG 1650MM | 1650          |
| 2209361700        | AE TL FG 1700MM | 1700          |
| 2209361750        | AE TL FG 1750MM | 1750          |
| 2209361800        | AE TL FG 1800MM | 1800          |
| 2209361850        | AE TL FG 1850MM | 1850          |
| 2209361925        | AE TL FG 1925MM | 1925          |
| 2209362000        | AE TL FG 2000MM | 2000          |
| 2209362050        | AE TL FG 2050MM | 2050          |

|   |   |  |  |
|---|---|--|--|
| FUNCTIONAL SYMBOLS<br>$F_A = 0$<br>$F_C = 0$<br>$F_P = 0$<br>DIVISIONAL SYMBOLS | THIS DRAWING CONTAINS INFORMATION THAT IS PROPRIETARY TO MOLEX ELECTRONIC TECHNOLOGIES, LLC AND SHOULD NOT BE USED WITHOUT WRITTEN PERMISSION<br>DIMENSION UNITS: <b>mm</b> SCALE: <b>1:1</b><br>GENERAL TOLERANCES (UNLESS SPECIFIED)<br>ANGULAR TOL: ± °<br>4 PLACES ±<br>3 PLACES ±<br>2 PLACES ±<br>1 PLACE ±<br>0 PLACES ±<br>DRAFT WHERE APPLICABLE MUST REMAIN WITHIN DIMENSIONS | CURRENT REV DESC:<br><br>EC NO: 730790<br>DRWN: MFAN08    2022/11/30<br>CHK'D: ALVINZ    2022/12/01<br>APPR: XQHE    2022/12/03<br>INITIAL REVISION:<br>DRWN: MFAN08    2022/06/09<br>APPR: XQHE    2022/06/24<br>THIRD ANGLE PROJECTION<br> | <br>GENERAL MARKET NS PCIE CABLE<br>PRODUCT CUSTOMER DRAWING |
|   |   | DOCUMENT NUMBER: <b>2209291000</b> DOC TYPE: PSD    DOC PART: 000    REVISION: A2<br>MATERIAL NUMBER: SEE TABLE    CUSTOMER:    SHEET NUMBER: 9 OF 10  |  |

REVISION HISTORY

| DATE       | REVISION | DESCRIPTION   | ENGINEER    |
|------------|----------|---|-------------|
| 2022/06/09 | 1        | PRELIMINARY RELEASE   | MARTIN FAN  |
| 2022/06/23 | A        | INITIAL RELEASE   | MARTIN FAN  |
| 2022/07/25 | A1       | ADD LASER MARK CONTENT INFORMATION AND REMOVE ORGANIZER PN.                                       | ALVIN ZHANG |
| 2022/12/01 | A2       | ADD ADDITIONAL LENGTH OPTION (1650 1700 1750 1800 1850 2000 2050) FOR ALL 220929 TO 220936 SERIES | MARTIN FAN  |

|  |   |                         |                          |         |        |                 |           |              |     |                          |  |
|--|---|-------------------------|--------------------------|---------|--------|-----------------|-----------|--------------|-----|--------------------------|--|
| FUNCTIONAL SYMBOLS                                   | THIS DRAWING CONTAINS INFORMATION THAT IS PROPRIETARY TO MOLEX ELECTRONIC TECHNOLOGIES, LLC AND SHOULD NOT BE USED WITHOUT WRITTEN PERMISSION |                         |                          |         |        |                 |           |              |     |                          |  |
|  | DIMENSION UNITS   | SCALE                   | CURRENT REV DESC:        |         |        |                 |           |              |     | <b>molex</b>             |  |
| $\frac{F}{A} = 0$                                    | mm  | 1:1                     | EC NO: 730790            |         |        |                 |           |              |     |                          |  |
| $\frac{F}{C} = 0$                                    | GENERAL TOLERANCES (UNLESS SPECIFIED)   |                         | DRWN: MFAN08 2022/11/30  |         |        |                 |           |              |     | PRODUCT CUSTOMER DRAWING |  |
| $\frac{F}{D} = 0$                                    | ANGULAR TOL   | ± °                     | CHK'D: ALVINZ 2022/12/01 |         |        |                 |           |              |     | DOCUMENT NUMBER          |  |
| DIVISIONAL SYMBOLS                                   | 4 PLACES  | ±                       | APPR: XQHE 2022/12/03    |         |        |                 |           |              |     | DOC TYPE                 |  |
|  | 3 PLACES  | ±                       | INITIAL REVISION:        |         |        |                 |           |              |     | DOC PART                 |  |
|  | 2 PLACES  | ±                       | DRWN: MFAN08 2022/06/09  |         |        |                 |           |              |     | REVISION                 |  |
|  | 1 PLACE   | ±                       | APPR: XQHE 2022/06/24    |         |        |                 |           |              |     | PSD                      |  |
| 0 PLACES   | ±   | DRWN: MFAN08 2022/06/09 |                          |         |        |                 |           |              | 000 |                          |  |
| DRAFT WHERE APPLICABLE MUST REMAIN WITHIN DIMENSIONS |   | THIRD ANGLE PROJECTION  |                          | DRAWING | SERIES | MATERIAL NUMBER | CUSTOMER  | SHEET NUMBER |     |                          |  |
|  |   |                         |                          | D-SIZE  | 220929 | 2209291000      | SEE TABLE | 10 OF 10     |     |                          |  |