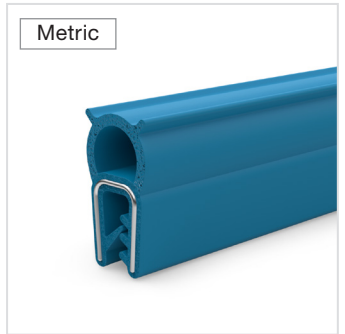
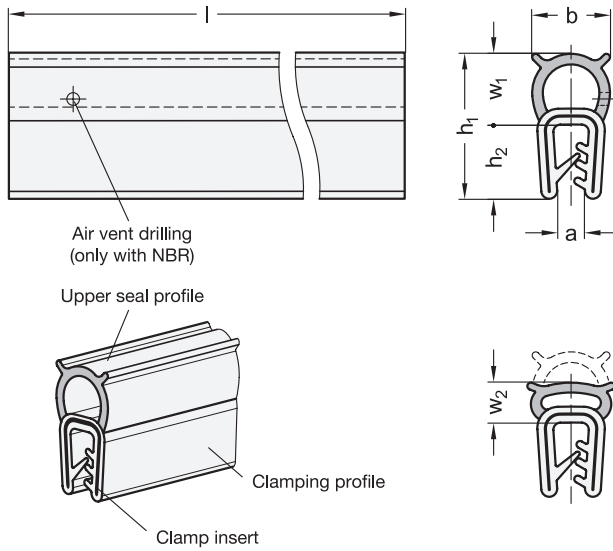


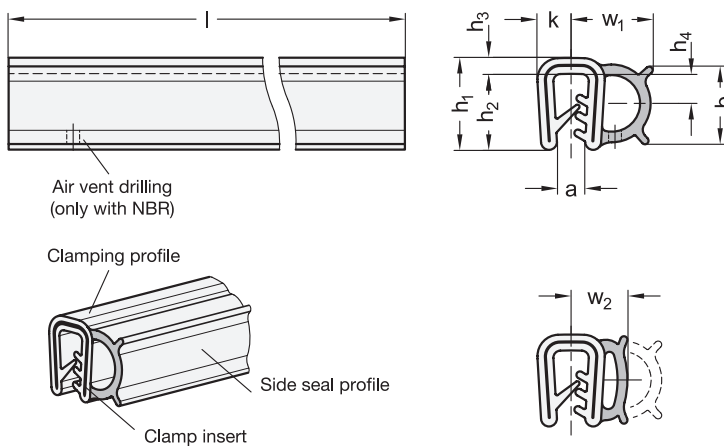
Type A



3 Type

- A Upper seal profile
- D Side seal profile

Type D



Specification



- Clamping profile / seal profile
Acrylonitrile butadiene rubber **NBR**
- FDA compliant
- Blue, RAL 5012
- Clamping profile hardness 70±5 shore A
- Seal profile hardness 30±5 shore A
- Temperature resistant from -22 °F to +212 °F (-30 °C to 100 °C)
- Clamping profile / seal profile
Silicone rubber **MVQ**
- FDA compliant
- Blue, RAL 5010
- Clamping profile hardness 60±5 shore A
- Seal profile hardness 60±5 shore A
- Temperature resistant from -58 °F to +392 °F (-50 °C to 200 °C)
- Clamping insert
Stainless steel wire polyester clamping band
AISI 304
- *Elastomer Characteristics* → page QVX
- *Stainless Steel Characteristics* → page QVX
- **RoHS compliant**

Information

Edge protection seal profiles GN 2190 can be used to seal doors, covers and hatches. The profiles can be pushed onto the edges of metal sheets and plates by hand. The embedded clamping insert prevents it from detaching. Glue or other adhesives are not required.

Thanks to the use of FDA compliant materials, the profiles are suitable for applications with corresponding requirements. In addition to approval as per FDA 21 CFR 177.2600, the silicone version satisfies the guidelines of 3-A Sanitary Standard Inc. and DIN ISO 10993.

When installed, the profile should be compressed slightly by the adjacent components according to measurement w_2 . This ensures an optimal seal. It is recommended to adhere to the placement radii (r_1 to r_4) guidelines in order to ensure a tight and long lasting profile seal and to make assembly easier.

The seal profiles made of NBR have venting holes on one side for production-related reasons (at a distance of about 2 m), which should be taken into account for design and installation.

see also...

- *Technical Information* → page QVX
- *Edge Protection Seal Profiles GN 2180* → page QVX

On request

- Material MVQ in other colors

How to order

GN2190-NBR-20.5-A-20

- 1 Material
- 2 Height h_1
- 3 Type
- 4 Length

Metric table

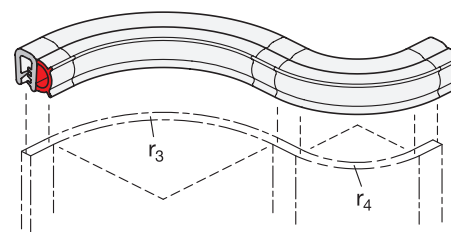
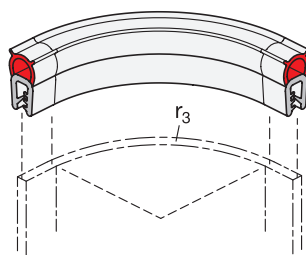
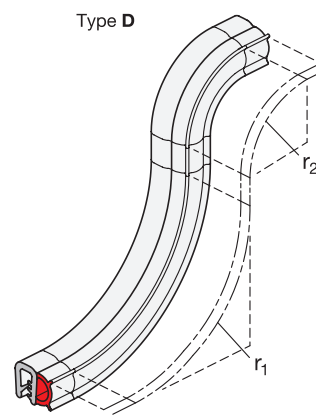
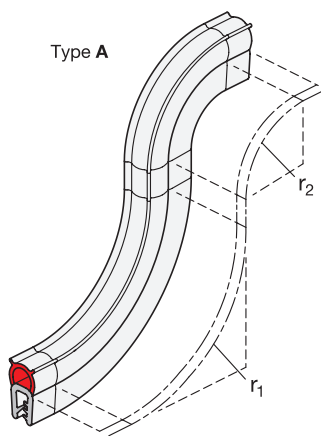
Dimensions in: millimeters - inches

2 4

Type A												
h_1	Length l in meters	a Clamping range in millimeters	b	h_2	r_1 NBR	MVQ	r_2 NBR	MVQ	r_3 NBR	MVQ	w_1	w_2 At 50% of the permissible deformation
20.5 0.81	20	1 - 3.5	11 0.43	10.5 0.41	90 3.54	150 5.91	50 1.97	100 3.94	30 1.18	25 0.98	10 0.39	7 0.28

2 4

Type D													
h_1	Length l in meters	a Clamping range in millimeters	b	h_2	h_3	h_4	k	r_1	r_2	r_3	r_4	w_1	w_2 At 50% of the permissible deformation
13 0.51	20	1 - 3.5	11 0.43	10.75 0.42	2.25 0.09	4.5 0.18	4.75 0.19	40 1.57	50 1.97	100 3.94	80 3.15	11.25 0.44	8.75 0.34



3.1
3.2
3.3
3.4
3.5
3.6
3.7
3.8
3.9
3.10

