

- NOTE:
- MATERIAL SPECIFICATION:
 - HOUSING&PICKUP COVER: LCP, UL94 V-0. BLACK.
 - CONTACTS: COPPER ALLOY.
 - LATCH: STAINLESS STEEL(SUS301).
 - SPRING: STAINLESS STEEL(SUS304).
 - FRONT SHELL: STAINLESS STEEL(SUS304).
 - PLATING SPECIFICATION:
 - CONTACTS: Ni 50u" MIN. UNDER PLATED OVER ALL. CONTACT AREA Au PLATING 1u" PLATING SPECIFICATIONS OF THE SOLDERING AREA Sn 80u".
 - FRONT SHELL: Ni 30u" MIN. UNDER PLATED OVER ALL.
 - LATCH: Ni 50u" MIN. UNDER PLATED OVER ALL. 80u" MIN. TIN PLATED ON SOLDERING AREA.
 - SPRING: CLEAR ONLY
 - MECHANICAL PERFORMANCE,
 - INSERTION FORCE: 0.5~2.0kgf.
 - REMOVAL FORCE: 0.8kgf~2.0kgf.
 - DURABILITY: 10000 CYCLES.
 - ELECTRICAL PERFORMANCE,
 - CURRENT RATING: 5.0A MAX. VOLTAGE RATING: 5.0V.
 - LLCR: VBUS & GND PINS AND OTHER PINS: 40mΩ/PIN MAX. SHIELD: 50mΩ/MAX. LLCR MAX. CHANGE OF ALL PINS: 10mΩ.
 - INSULATION RESISTANCE: 100MΩ MIN.
 - DIELECTRIC WITHSTAND VOLTAGE, AC 100V FOR 1 MINUTE.
 - ENVIRONMENTAL PERFORMANCE: OPERATING TEMPERATURE: -25°C~+85°C.
 - IR REFLOW: THE PEAK TEMPERATURE ON THE BOARD SHALL BE MAINTAINED FOR 10 SECONDS AT 260°C.
 - PRODUCT SPEC: PS_1054440001_1
 - PACKAGE SPEC: PDD_2188470001PK
 - PRODUCT COMPLIANCE TO RoHS DIRECTIVE 2011/65/EU
 - PLEASE CONTACT YOUR SALES REPRESENTATIVE IF INTENDED FOR AUTOMOTIVE

FUNCTIONAL SYMBOLS	THIS DRAWING CONTAINS INFORMATION THAT IS PROPRIETARY TO MOLEX ELECTRONIC TECHNOLOGIES, LLC AND SHOULD NOT BE USED WITHOUT WRITTEN PERMISSION		CURRENT REV DESC: REMOVE DATE CODE		molex		
	4	mm	6:1				
DIVISIONAL SYMBOLS	GENERAL TOLERANCES (UNLESS SPECIFIED)		EC NO: 740234		USB TYPE C PLUG VERTICAL SMT 24PIN		
	1	ANGULAR TOL	± 3.0°	DRWN: DARIEY 2023/02/27			
DIVISIONAL SYMBOLS	4 PLACES	±		CHK'D: RLI09 2023/03/17	PRODUCT CUSTOMER DRAWING		
	3 PLACES	±	0.25	APPR: RLI09 2023/03/17			
	2 PLACES	±	0.25	INITIAL REVISION:	DOCUMENT NUMBER		
	1 PLACE	±		DRWN: DARIEY 2022/12/27	2188470001		
0 PLACES	±		APPR: RLI09 2023/01/30	PSD	000	B	
DRAFT WHERE APPLICABLE MUST REMAIN WITHIN DIMENSIONS		THIRD ANGLE PROJECTION	DRAWING	SERIES	MATERIAL NUMBER	CUSTOMER	SHEET NUMBER
			A3-SIZE	218847	2188470001	GENERAL MARKET	1 OF 2

10

9

8

7

6

5

4

3

2

1

F

F

E

E

D

D

C

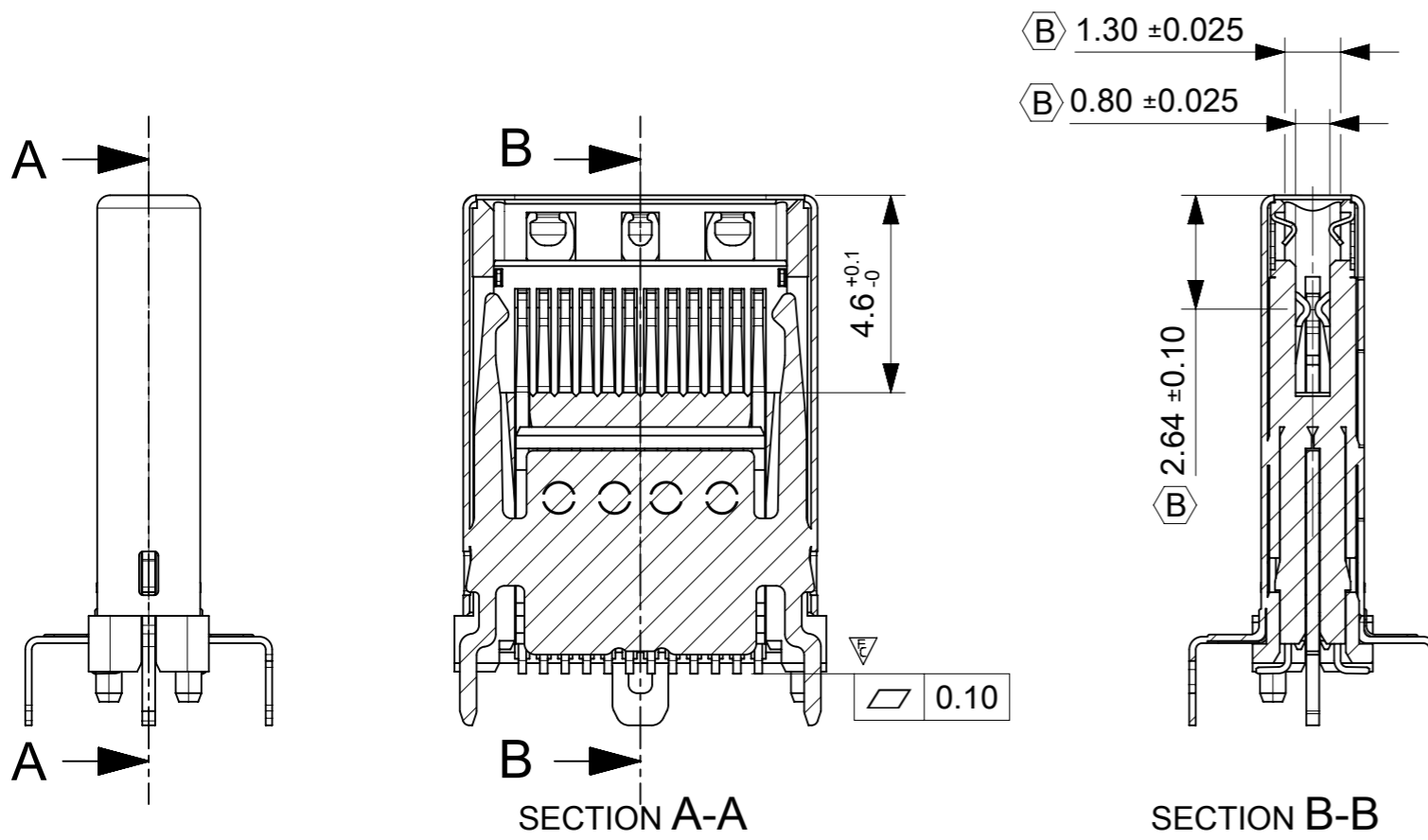
C

B

B

A

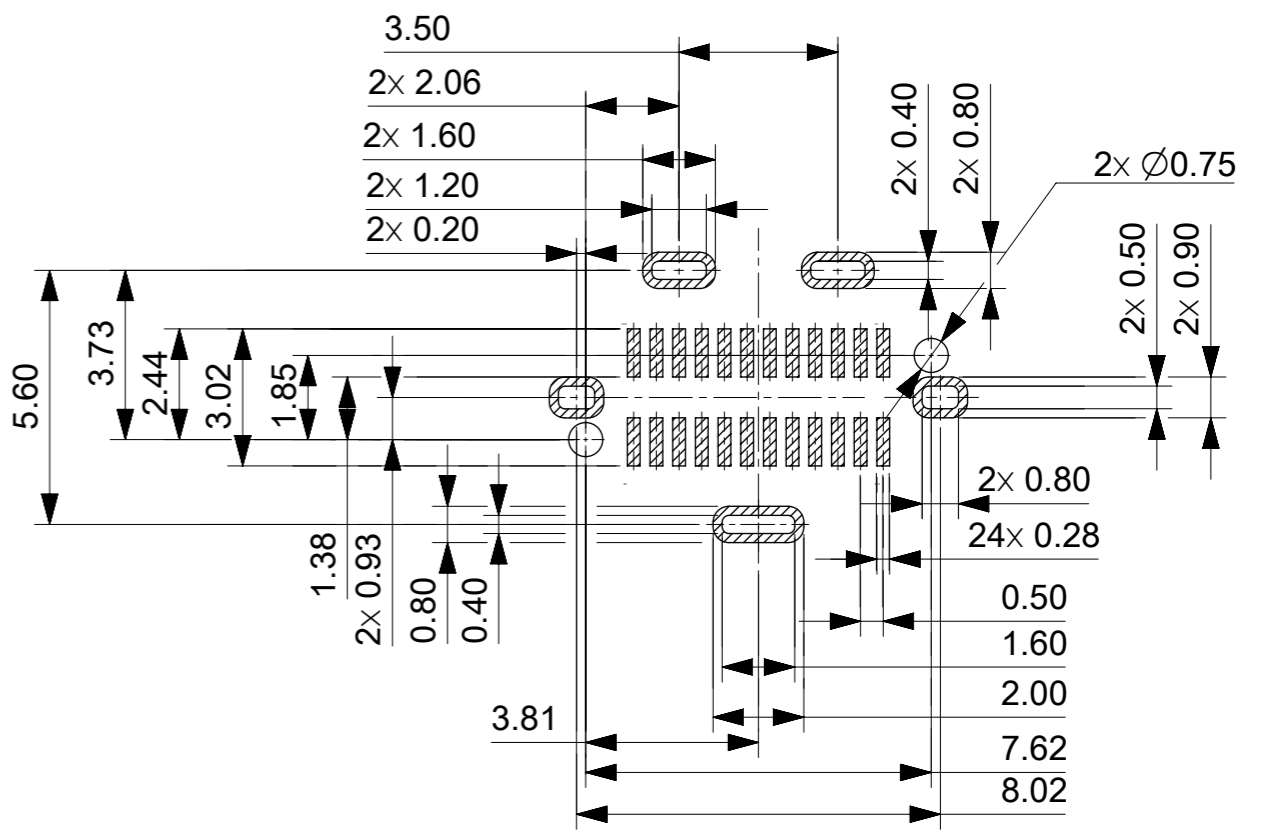
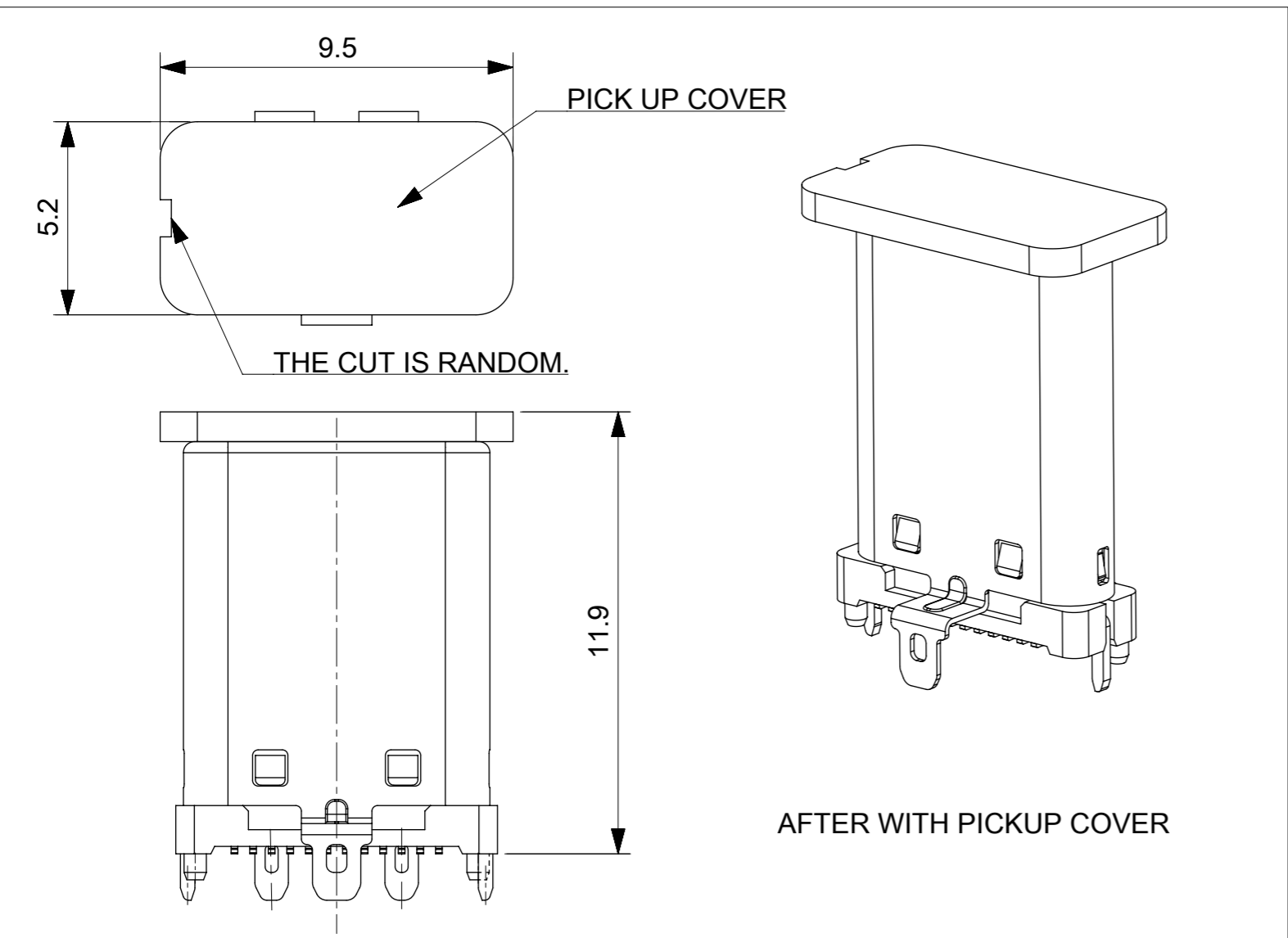
A



USB TYPE-C PIN ASSIGNMENTS

PIN NUMBER	SIGNAL NAME
A1	GND
A2	SSTXp1
A3	SSTXn1
A4	V _{BUS}
A5	CC1
A6	Dp1
A7	Dn1
A8	SBU1
A9	V _{BUS}
A10	SSRXn2
A11	SSRXp2
A12	GND

PIN NUMBER	SIGNAL NAME
B12	GND
B11	SSRXp1
B10	SSRXn1
B9	V _{BUS}
B8	SBU2
B7	Dn2
B6	Dp2
B5	CC2
B4	V _{BUS}
B3	SSTXn2
B2	SSTXp2
B1	GND



FUNCTIONAL SYMBOLS	THIS DRAWING CONTAINS INFORMATION THAT IS PROPRIETARY TO MOLEX ELECTRONIC TECHNOLOGIES, LLC AND SHOULD NOT BE USED WITHOUT WRITTEN PERMISSION	CURRENT REV DESC: REMOVE DATE CODE		molex		
	GENERAL TOLERANCES (UNLESS SPECIFIED)	EC NO: 740234	2023/02/27			
$\nabla A = 0$	DIMENSION UNITS: mm	SCALE: 6:1	DRWN: DARIEY	2023/03/17	PRODUCT CUSTOMER DRAWING	
$\nabla E = 1$	ANGULAR TOL $\pm 3.0^\circ$		CHK'D: RL109	2023/03/17	DOCUMENT NUMBER	
$\nabla F = 0$	4 PLACES \pm		APPR: RL109	2023/03/17	DOC TYPE DOC PART REVISION	
DIVISIONAL SYMBOLS	3 PLACES \pm		INITIAL REVISION:		2188470001	
	2 PLACES ± 0.25		DRWN: DARIEY		PSD 000 B	
	1 PLACE \pm		2022/12/27		MATERIAL NUMBER	
	0 PLACES \pm		2023/01/30		CUSTOMER	
DRAFT WHERE APPLICABLE MUST REMAIN WITHIN DIMENSIONS		THIRD ANGLE PROJECTION	DRAWING	SERIES	MATERIAL NUMBER	SHEET NUMBER
			A3-SIZE	218847	2188470001	2 OF 2
					GENERAL MARKET	

10

9

8

7

6

5

4

3

2

1